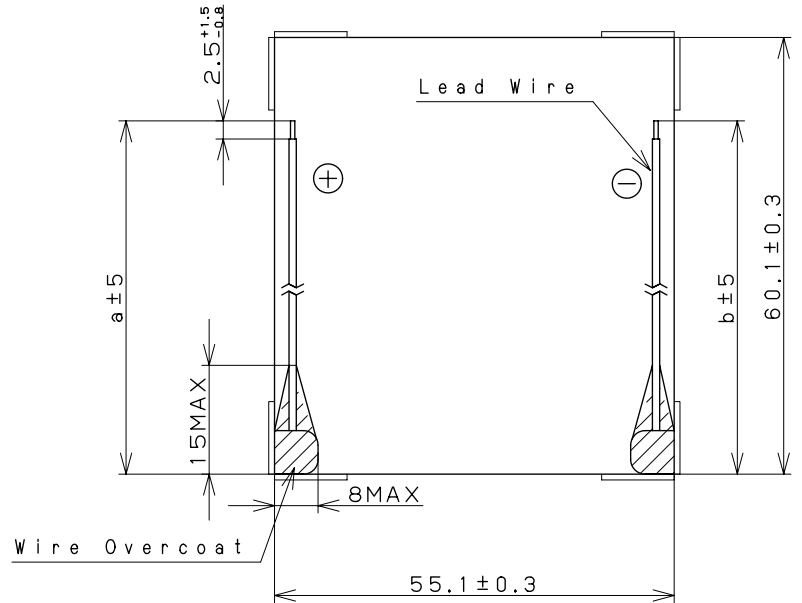
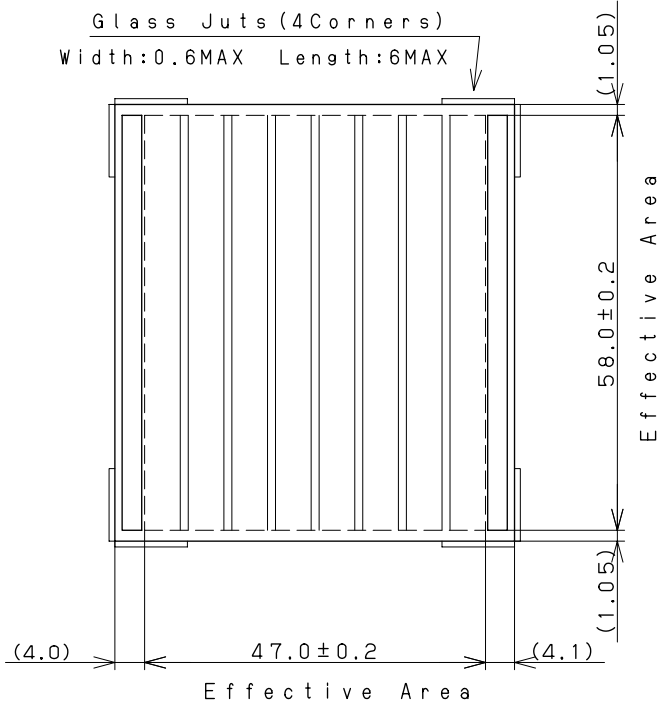


Model : AM-5814CAR

1. Outside dimensions 外形寸法

Light Receiving Side (受光面)

Overcoat Side (オーバーコート面)



(dimension: mm)

Lead Wires : AWG30	
a: 101	b: 101

Note

Glass Substrate Thickness (ガラス基板厚) : 1.1mm ± 0.1

Module Thickness (モジュール厚) : 1.3mm MAX

Wire-Overcoat thickness: 2.5mm MAX (including Module)  
(リード線補正コート厚)

2. Rated Specifications (at 25°C)

Item	Specifications (Initial)		
2.1 Open circuit voltage: Voc 開放電圧	Typical	6.8V	at 50kLx SS
2.2 Short circuit Current: Isc 短絡電流	Typical	18.9mA	at 50kLx SS
2.3 Operating Voltage & Operating Current: Vope-Iope 動作特性	Minimum	4.5V - 13.9mA	at 50kLx SS
	Typical	4.5V - 17.4mA	at 50kLx SS
	Typical	4.5V - 38.6mA	at AM-1.5 100mW/cm <sup>2</sup>
2.4 Maximum output: Pmax & optimum operating Volt: Vop optimum operating Current: Iop 最大出力	(reference)	85mW	Vop=5.2V Iop=16.4mA at 50kLx SS
	(reference)	180mW	Vop=5.2V Iop=34.7mA at AM-1.5 100mW/cm <sup>2</sup>
2.5 Working temperature range: Topr 動作温度範囲	-10 to 60°C		
2.6 Storage temperature range: Tstg 保存温度範囲	-20 to 70°C		

SS: Solar Simulator

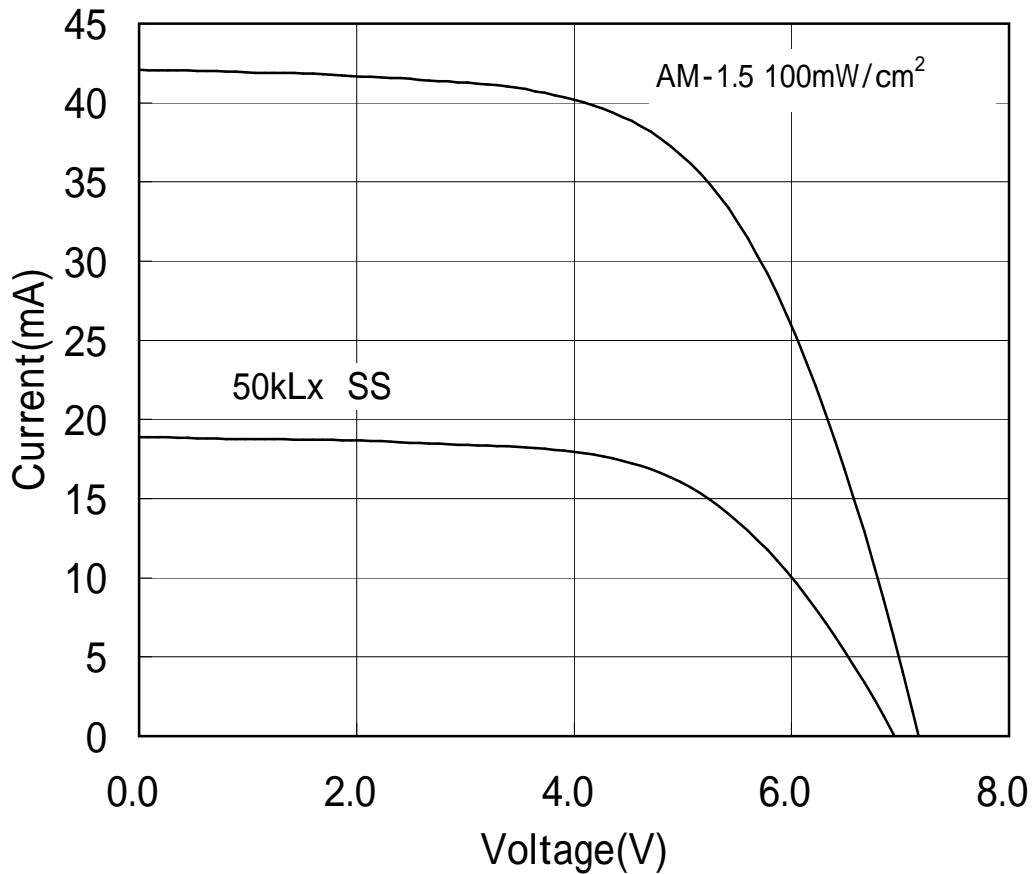
# I - V Characteristics

REFERENCE

1.Model : AM-5814

2.Outside Dimension : 60.1mm × 55.1mm

SS:Solar Simulator



\*このデータは標準的な出力特性を示すものであり、特性を保証するものではありません。

\*The data are meant to show standard electric characteristics only , not intended to guarantee the characteristics.

SANYO Amorton Co.,Ltd.

2011/7/12

# 出力の照度依存特性

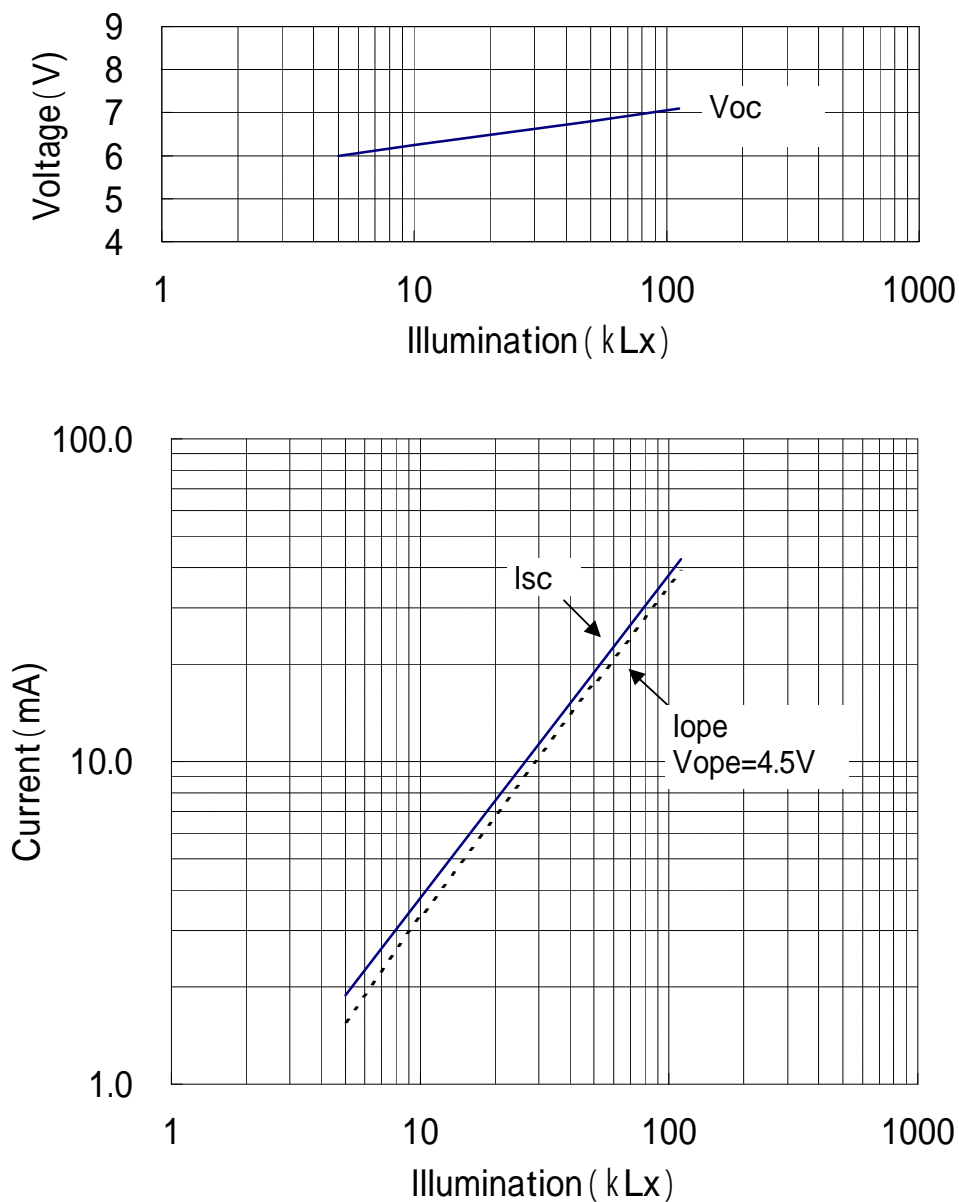
REFERENCE

## Dependence of Output on Illumination

1.Model : AM-5814

2.Outside Dimension : 60.1mm × 55.1mm

SS:Solar Simulator



\*このデータは標準的な出力特性を示すものであり、特性を保証するものではありません。

\*The data are meant to show standard electric characteristics only , not intended to guarantee the characteristics.

# 出力の温度依存特性

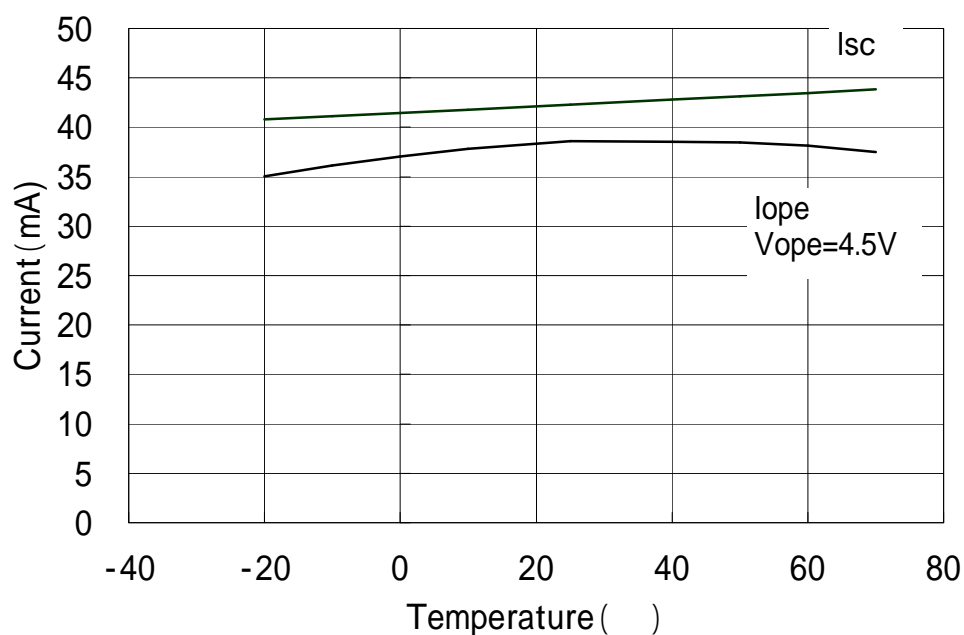
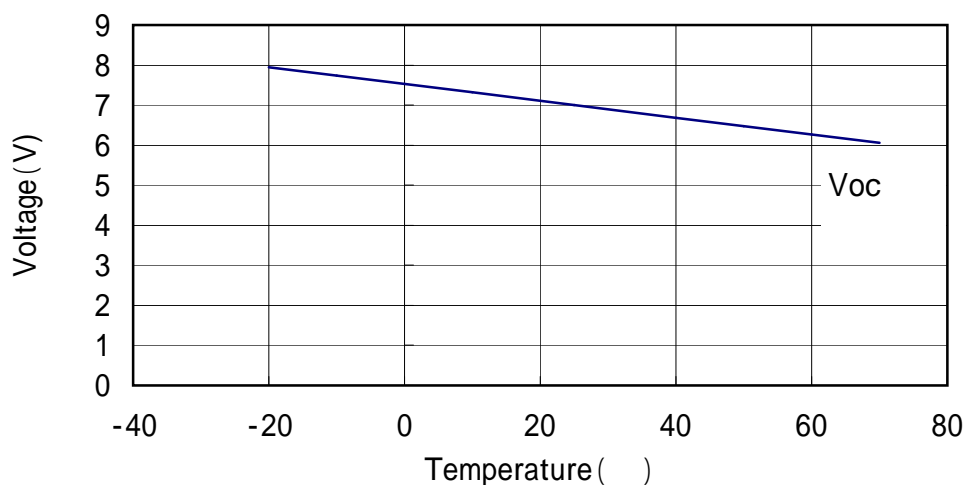
REFERENCE

## Dependence of Output on Temperature

1.Model : AM-5814

2.Outside Dimension : 60.1mm × 55.1mm

AM-1.5 100mW/cm<sup>2</sup>



\*このデータは標準的な出力特性を示すものであり、特性を保証するものではありません。

\*The data are meant to show standard electric characteristics only, not intended to guarantee the characteristics.