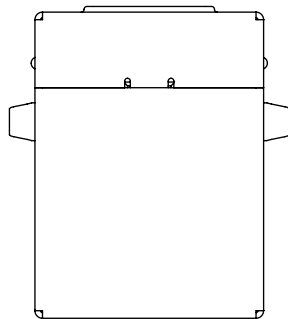
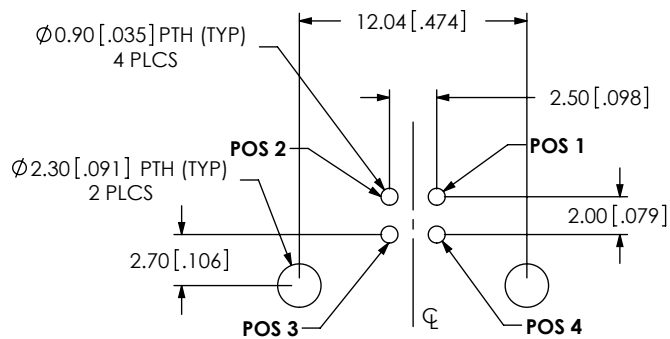
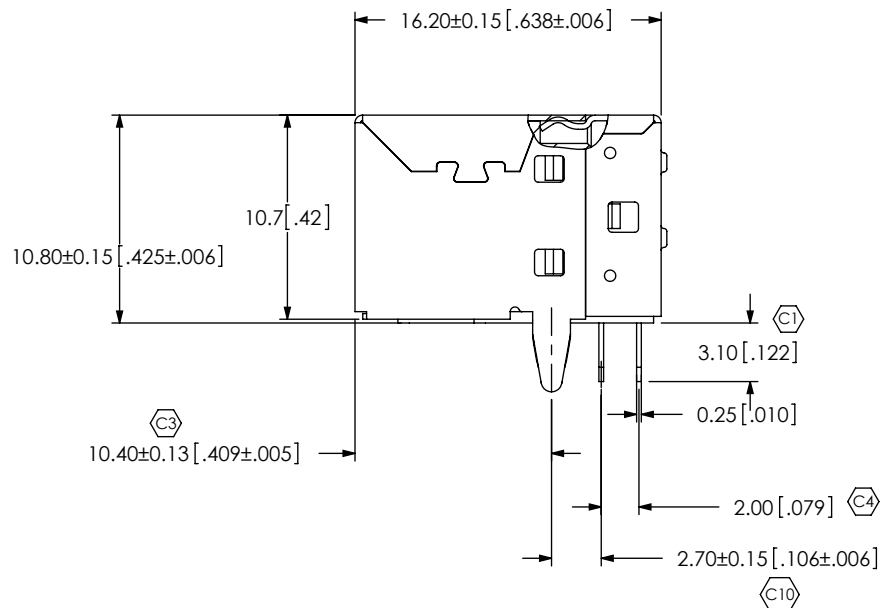
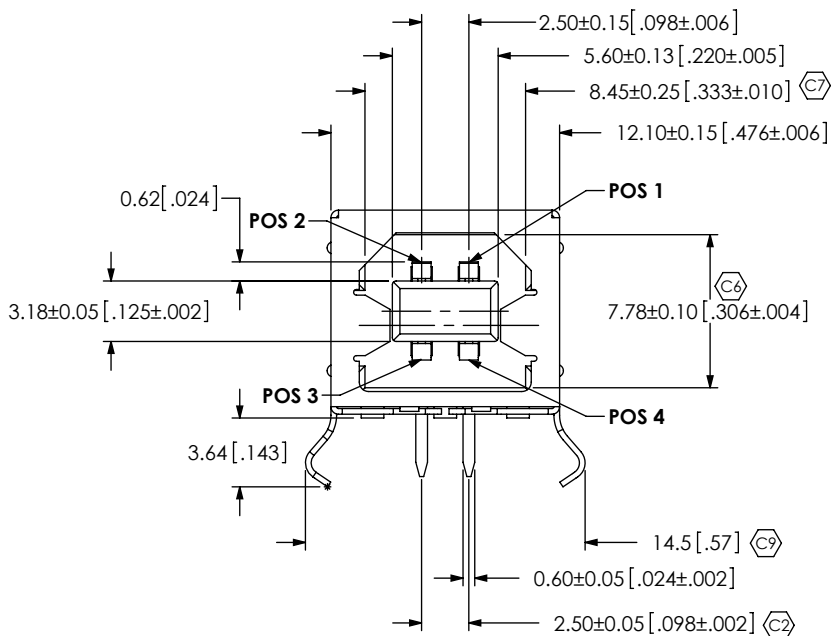
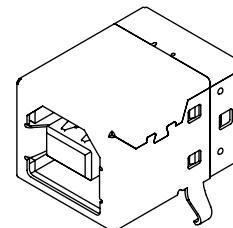


DO NOT SCALE FROM THIS PRINT



USB-B-S-X-X-TH-X-XX


- TYPE
-B
- CONFIGURATION
-S: SINGLE
- PLATING SPECIFICATION
-F: 3µ" SELECTIVE GOLD IN MATTE AREA, MATTE TIN ON TAIL.
-S: 30µ" SELECTIVE GOLD IN MATTE AREA, MATTE TIN ON TAIL.
- OPTIONS
-TR: TAPE & REEL (LEAVE BLANK FOR TRAY PACKAGING)
E&L OPTION
-R: RoHS COMPLIANT (SEE NOTE 2)
- TERMINATION
-TH: THRU HOLE
- COLOR
-B: BLACK
-W: WHITE



RECOMMENDED PCB LAYOUT

NOTES:

1. Ⓢ REPRESENTS A CRITICAL DIMENSION.
2. ALL PARTS ARE RoHS COMPLIANT WITH OR WITHOUT -R.

<p>UNLESS OTHERWISE SPECIFIED, DIMENSIONS ARE IN MILLIMETERS. TOLERANCES ARE: DECIMALS ANGLES X.X: ±0.3 [.01] 2° X.XX: ±0.20 [.008] X.XXX: ±0.051 [.0020]</p>	<p>PROPRIETARY NOTE THIS DOCUMENT CONTAINS CONFIDENTIAL AND PROPRIETARY INFORMATION AND ALL DESIGN, MANUFACTURING, REPRODUCTION, USE, PATENT RIGHTS AND SALES RIGHTS ARE EXPRESSLY RESERVED BY SAMTEC, INC. THIS DOCUMENT SHALL NOT BE DISCLOSED, IN WHOLE OR PART, TO ANY UNAUTHORIZED PERSON OR ENTITY NOR REPRODUCED, TRANSFERRED OR INCORPORATED IN ANY OTHER PROJECT IN ANY MANNER WITHOUT THE EXPRESS WRITTEN CONSENT OF SAMTEC, INC.</p>	 <p>520 PARK EAST BLVD, NEW ALBANY, IN 47150 PHONE: 812-944-6733 FAX: 812-948-5047 e-Mail: info@SAMTEC.com code: 55322</p>
<p>MATERIAL: DO NOT SCALE DRAWING SHEET SCALE: 2:1 INSULATOR: PBT, UL94-V0 CONTACT: PHOSPHOR BRONZE SHELL: STEEL; NICKEL PLATED</p>		<p>DESCRIPTION: USB TYPE B RIGHT ANGLE THRU HOLE DWG. NO. USB-B-S-X-X-TH-X-XX BY: B.HARPENAU 2/06/06 SHEET 1 OF 1</p>