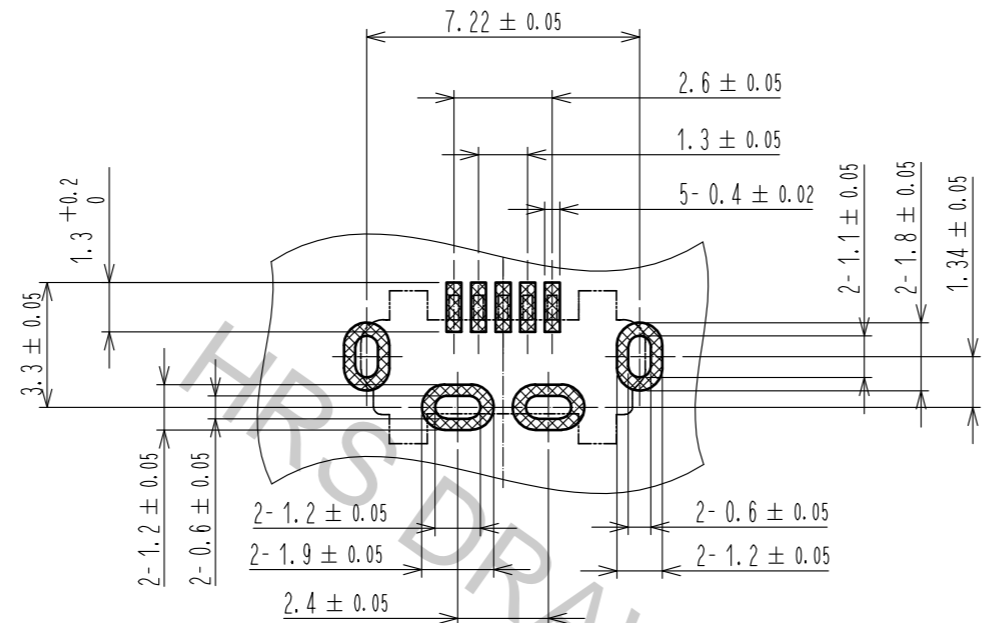
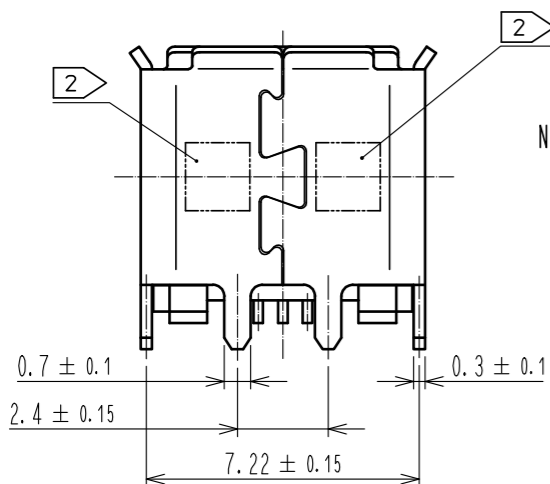
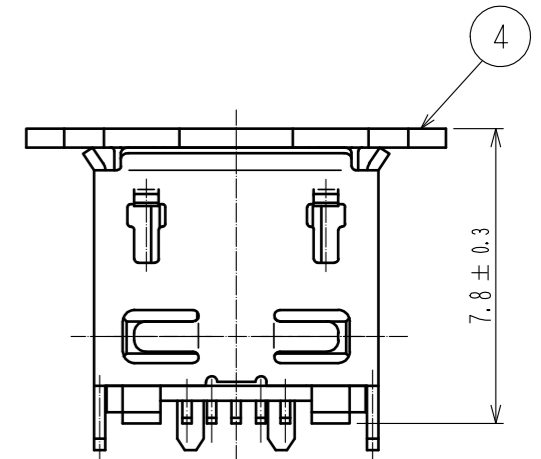
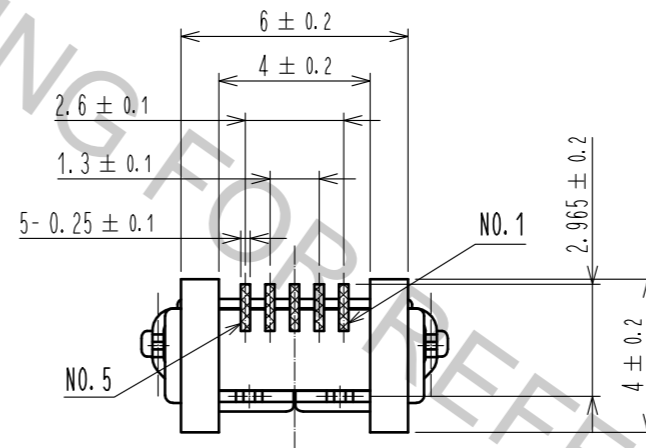
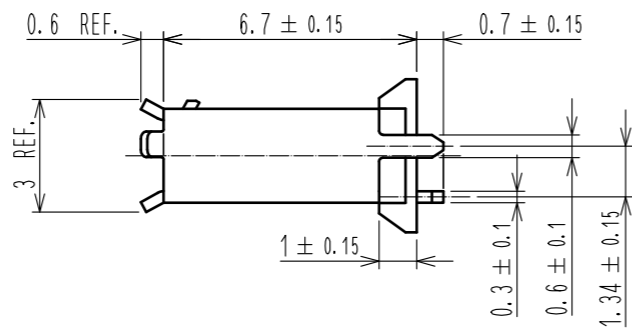
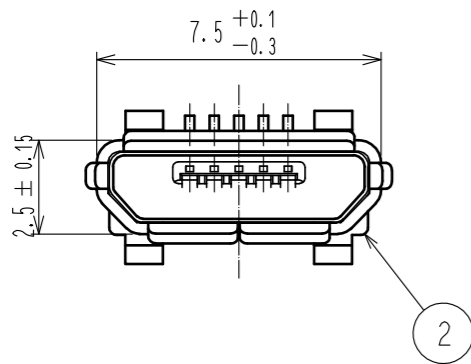
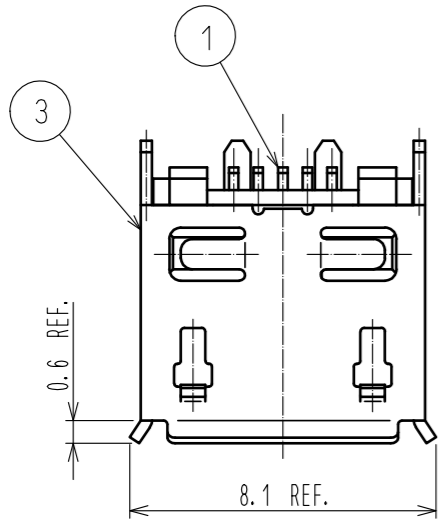
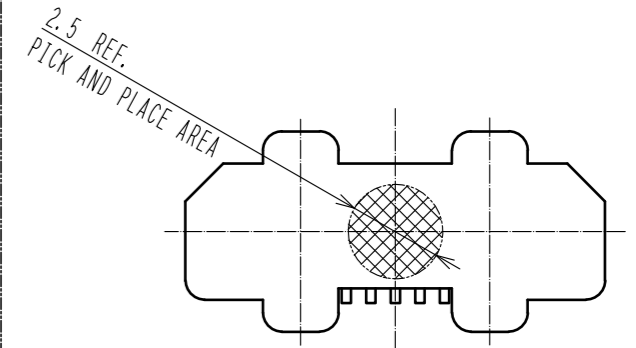


PCB LAYOUT

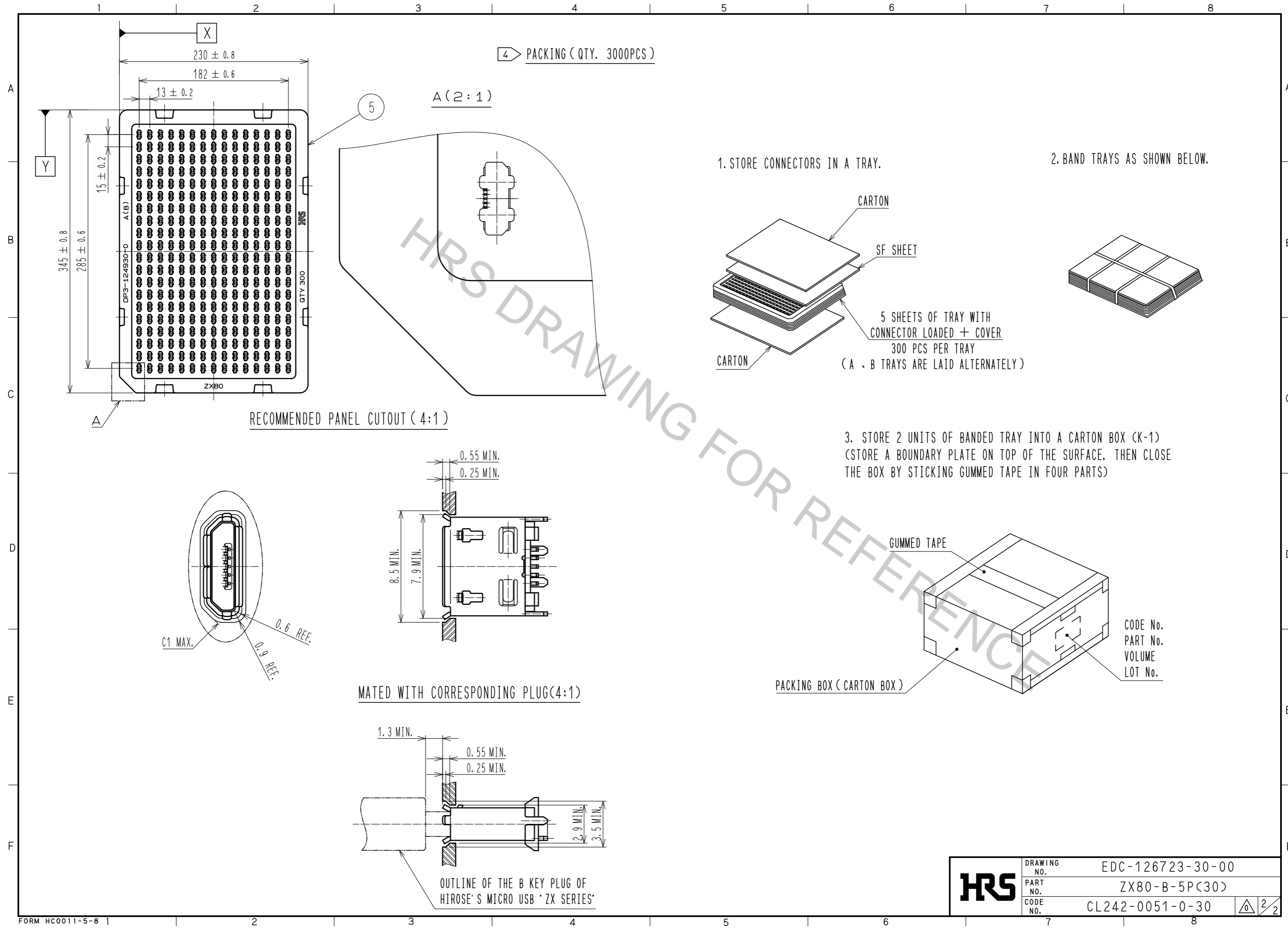


PICK AND PLACE CAP



- NOTE
- 1 CO-PLANARITY IS WITHIN 0.08.
 - 2 LOT No. SHALL BE INDICATED AT THE POSITION AS SHOWN.
 - 3 PLATING
CONTACT AREA : GOLD PLATE 0.75 μm MIN.
LEAD AREA : GOLD PLATE 0.05 μm MIN.
UNDER PLATING : NICKEL 2 μm MIN.
 - 4 PACKING
300 PCS PER TRAY.
 - 5 AS FOR PART No. 3, THE PERFORMANCE REMAINS GOOD EVEN IF THERE IS A RUBBING WOUND BY THE ASSEMBLY PROCESS. AND THE PERFORMANCE REMAINS GOOD EVEN IF THERE IS A DIFFERENCE OF THE COLOR OF PLATING WITH THE MANUFACTURING LOT.

| 2 | LCP | BLACK | UL94V-0 | 5 | PS | | | |
|-------------------------------|--------------|----------|------------------|----------|--------------------------|---|---------|------|
| 1 | COPPER ALLOY | 3 | | 4 | POLYAMIDE RESIN | | | |
| | | | | 3 | STAINLESS STEEL | UNDER PLATING: NICKEL 0.2 μm MIN. OVER PLATING : TIN 1μm MIN. LUBRICANT | | |
| NO. | MATERIAL | FINISH | REMARKS | NO. | MATERIAL | FINISH . REMARKS | | |
| UNITS | mm | SCALE | 5 : 1 | COUNT | DESCRIPTION OF REVISIONS | DESIGNED | CHECKED | DATE |
| HRS HIROSE ELECTRIC CO., LTD. | | APPROVED | : NM. NISHIMATSU | 15.10.27 | DRAWING NO. | EDC-126723-30-00 | | |
| | | CHECKED | : KN. ICHIKAWA | 15.10.27 | PART NO. | ZX80-B-5P(30) | | |
| | | DESIGNED | : TS. ITO | 15.10.27 | CODE NO. | CL242-0051-0-30 | | |
| | | DRAWN | : AK. AKIYAMA | 15.10.27 | | 1/2 | | |



4 PACKING (QTY. 3000PCS)

A (2:1)

RECOMMENDED PANEL CUTOUT (4:1)

MATED WITH CORRESPONDING PLUG (4:1)

OUTLINE OF THE B KEY PLUG OF HIROSE'S MICRO USB 'ZX SERIES'

1. STORE CONNECTORS IN A TRAY.

2. BAND TRAYS AS SHOWN BELOW.

3. STORE 2 UNITS OF BANDED TRAY INTO A CARTON BOX (K-1)
(STORE A BOUNDARY PLATE ON TOP OF THE SURFACE, THEN CLOSE THE BOX BY STICKING GUMMED TAPE IN FOUR PARTS)

PACKING BOX (CARTON BOX)

| | | | |
|------------|-------------|------------------|--|
| HRS | DRAWING NO. | EDC-126723-30-00 | |
| | PART NO. | ZX80-B-5P(30) | |
| | CODE NO. | CL242-0051-0-30 | |
| | | | |

CODE No.
PART No.
VOLUME
LOT No.