

May.1.2017 Copyright 2017 HIROSE ELECTRIC CO., LTD. All Rights Reserved.

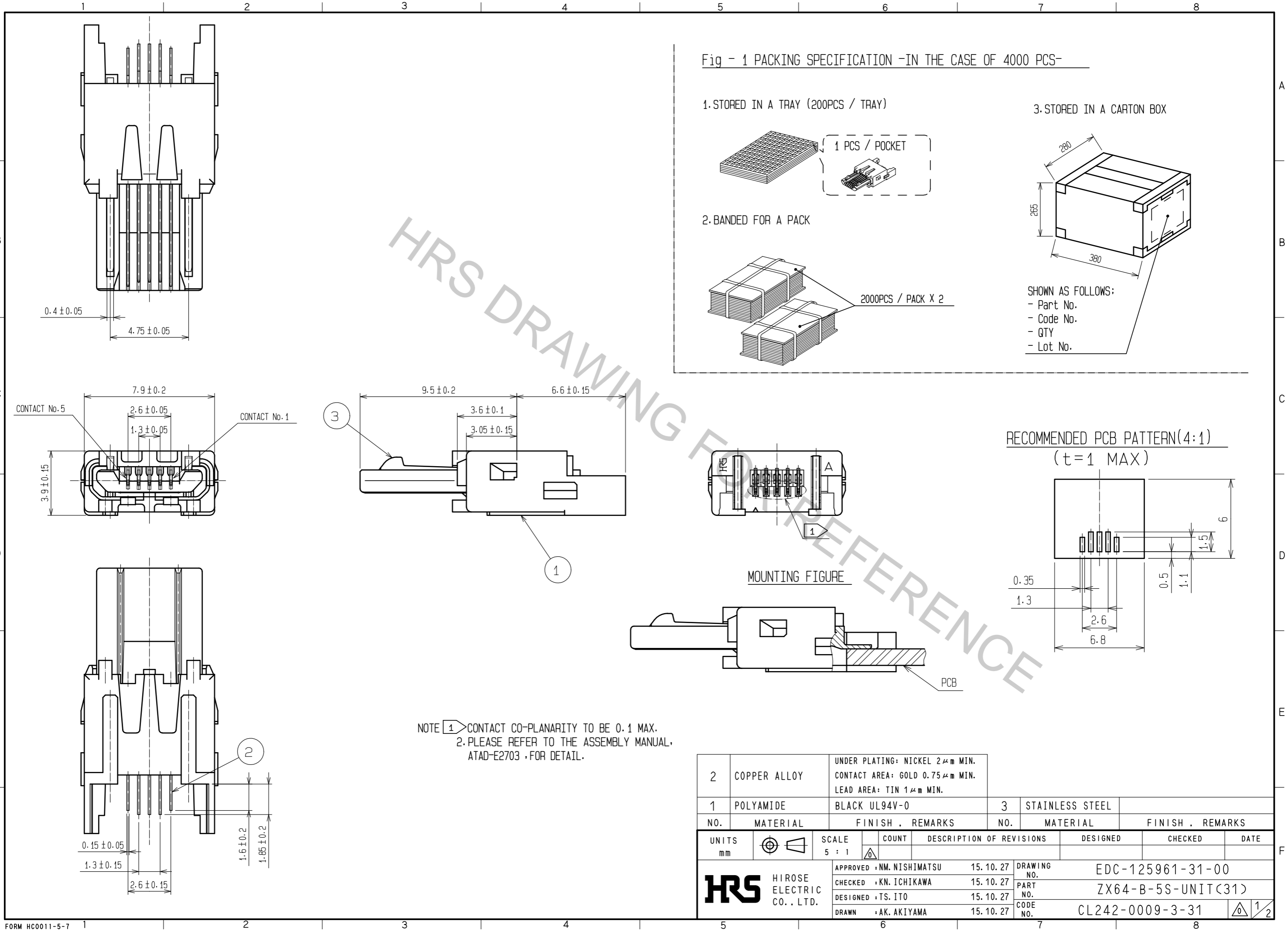
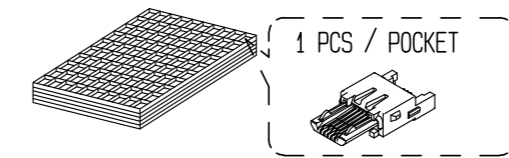
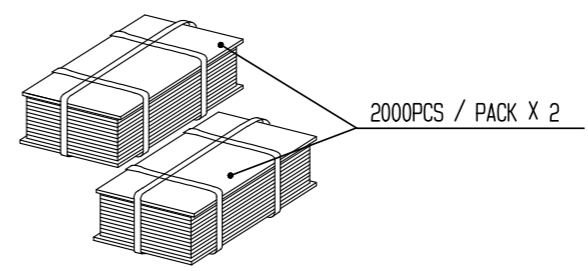


Fig - 1 PACKING SPECIFICATION -IN THE CASE OF 4000 PCS-

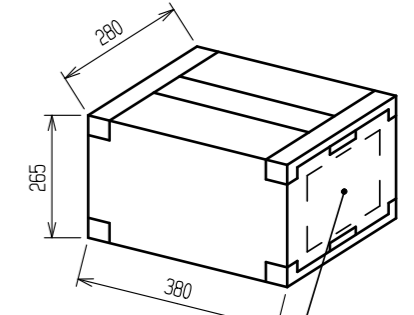
1. STORED IN A TRAY (200PCS / TRAY)



2. BANDED FOR A PACK



3. STORED IN A CARTON BOX



SHOWN AS FOLLOWS:
 - Part No.
 - Code No.
 - QTY
 - Lot No.

NOTE 1 CONTACT CO-PLANARITY TO BE 0.1 MAX.
 2. PLEASE REFER TO THE ASSEMBLY MANUAL, ATAD-E2703, FOR DETAIL.

2	COPPER ALLOY	UNDER PLATING: NICKEL 2 μm MIN. CONTACT AREA: GOLD 0.75 μm MIN. LEAD AREA: TIN 1 μm MIN.	3	STAINLESS STEEL	
1	POLYAMIDE	BLACK UL94V-0			
NO.	MATERIAL	FINISH . REMARKS	NO.	MATERIAL	FINISH . REMARKS
UNITS		SCALE	COUNT		DESCRIPTION OF REVISIONS
mm		5 : 1	△		DESIGNED
					CHECKED
					DATE
APPROVED : NM. NISHIMATSU 15.10.27			DRAWING NO. EDC-125961-31-00		
CHECKED : KN. ICHIKAWA 15.10.27			PART NO. ZX64-B-5S-UNIT(31)		
DESIGNED : TS. ITO 15.10.27			CODE NO. CL242-0009-3-31		
DRAWN : AK. AKIYAMA 15.10.27			△ 1/2		

May.1.2017 Copyright 2017 HIROSE ELECTRIC CO., LTD. All Rights Reserved.

Fig - 2 SHIELDING-PLATE ASSEMBLY

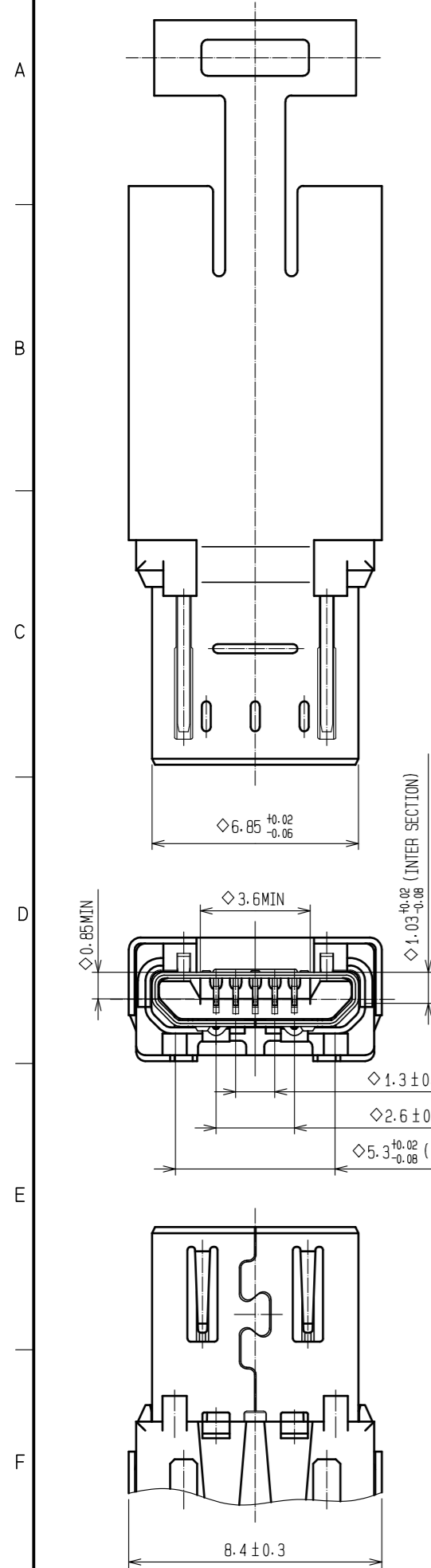
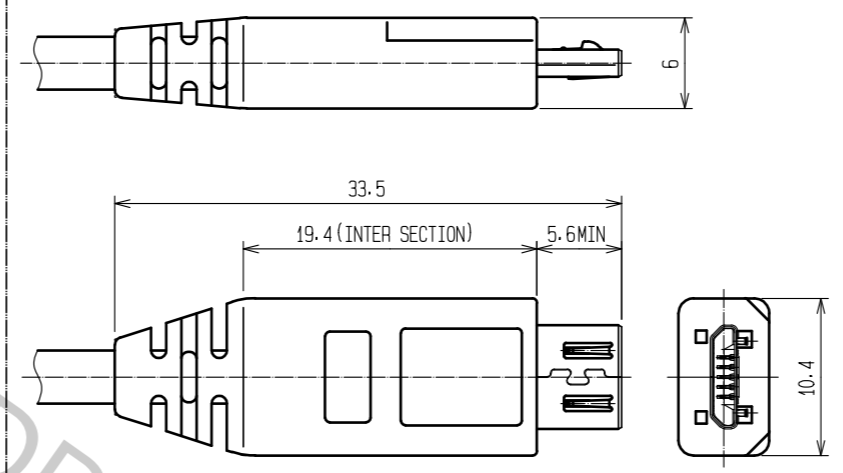
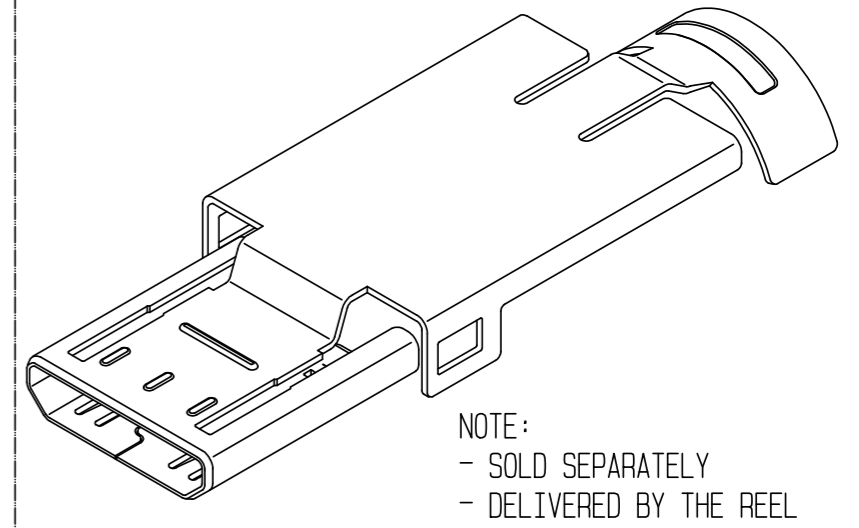


Fig - 3 OVER-MOLDING(REFERENCE)

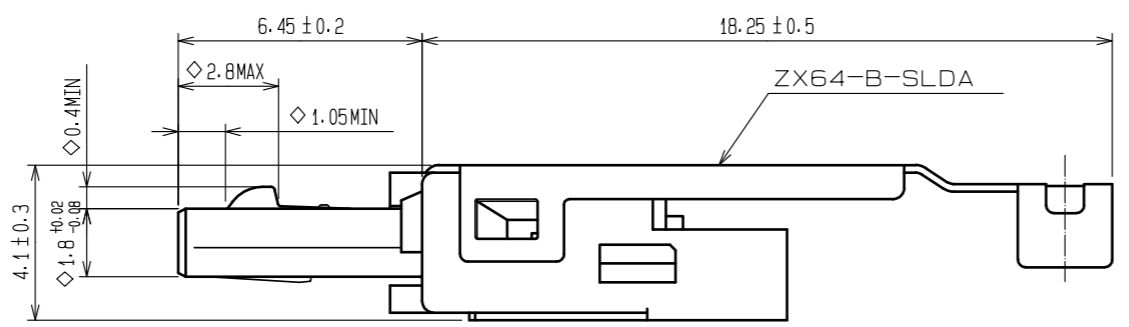
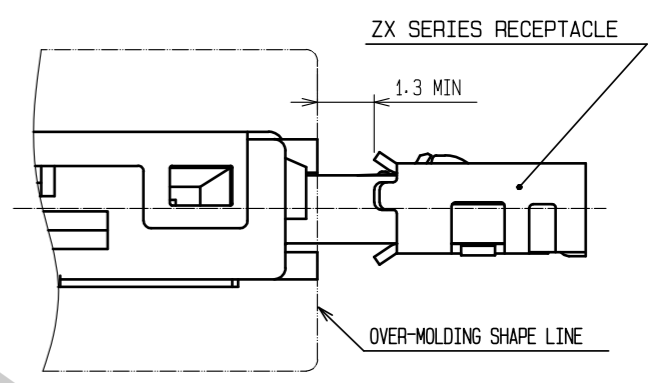


ZX64-B-SLDA
CODE : CL242-0013-0



NOTE:
- SOLD SEPARATELY
- DELIVERED BY THE REEL

Fig - 4 MATED CONDITION



NOTES 3 SHIELDING-PLATES, ZX64-B-SLDA ARE USED FOR ASSEMBLY.
4 *◇*SYMBOL ADDED TO EACH DIMENSION MEANS CRITICAL DIMENSION ON USB SPECIFICATION.
PLEASE CHECK THEM AFTER OVER-MOLDING.

HRS	DRAWING NO.	EDC-125961-31-00	2/2
	PART NO.	ZX64-B-5S-UNIT(31)	
	CODE NO.	CL242-0009-3-31	