

**Amphenol**  
Socapex

**Amphenol  
Overmolded Ethernet  
and  
USB solutions**

# TABLE OF CONTENTS

USBA Field	.....	3
USB B Field	.....	4
USB MINI B Field	.....	5
HDMI Field	.....	6
RJ45 Field	.....	7

# USB-A FIELD

Plastic shell - Overmolded cordset



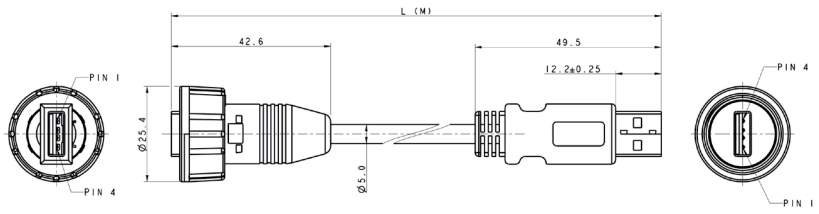
## IP68 SEALED USB-A CONNECTION SYSTEM

- Plastic shells
- Thread coupling
- Overmolded plug cordset: male sealed USB-A plug to standard USB-A plug
- Available cordset lengths: 2m and 5m. For other lengths, please contact us
- Rear mount Jam Nut receptacle with 50 mm flying lead + 5-way connector-back termination. Panel gasket included
- Temperature range: -20°C +80°C.
- Standard USB-A plug can be used with our USBFTV series connectors

### Applications

- Embedded computers
- Data Transfer
- Numerical control machines

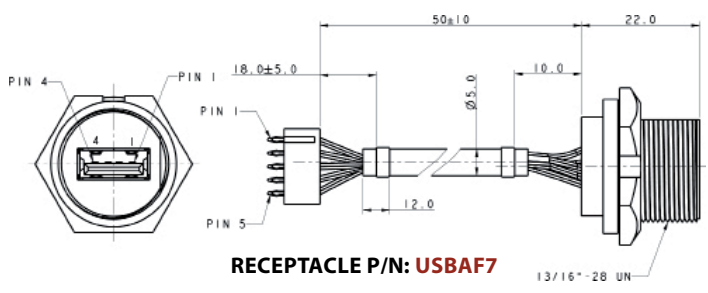
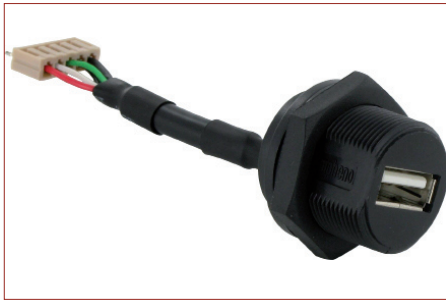
## CORDSET MALE SEALED USB-A PLUG TO STANDARD USB-A PLUG



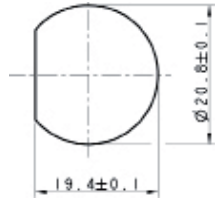
### PART NUMBERS:

- L = 2000±60mm [78.74±2.36] -P/N: **USBAF6A200**
- L = 5000±60mm [196.85±2.36] -P/N: **USBAF6A500**

## RECEPTACLE FEMALE USB-A



RECEPTACLE P/N: **USBAF7**



Panel Drilling

### JWT CONNECTOR – PITCH 2.5MM

- JWT 1 = USBA1 = RED (AWG 24)
- JWT 2 = USBA2 = WHITE (AWG 28)
- JWT 3 = USBA3 = GREEN (AWG 28)
- JWT 4 = USBA4 = BLACK (AWG 24)
- JWT 5 = USBA Shield = YELLOW (AWG 24)

## RECEPTACLE CAP



CAP P/N: **USBAFC7**

# USB B Field

Plastic shell - Overmolded cordset plug



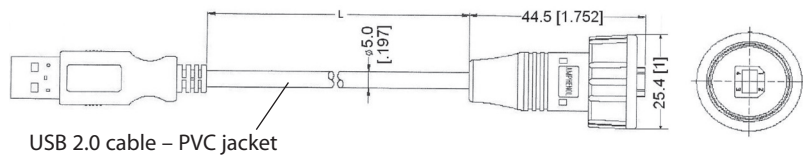
## IP68 SEALED USB-B CONNECTION SYSTEM

- Plastic shells
- Thread coupling
- Overmolded plug cordset: male sealed USB-B plug to standard USB-A plug
- Available cordset lengths: 1m and 2m• For other lengths please contact us
- Rear mount Jam Nut receptacle with 50mm flying lead + 5-way connector back termination. Panel gasket included
- Temperature range: -20°C +80°C

### Applications

- Embedded Computers
- Data Transfer
- Numerical Control Machine

## OVERMOLDED PLUG CORDSET: MALE SEALED USB-B PLUG STANDARD USB-A PLUG



### PART NUMBERS:

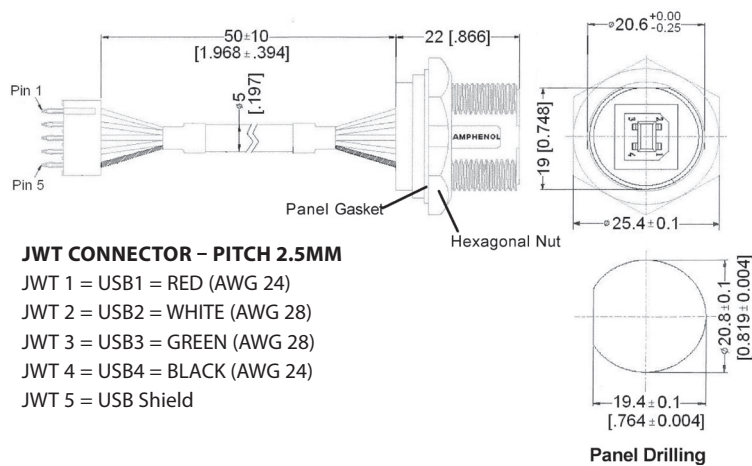
L = 1000±50mm [39.37±1.97] - P/N: **USBBF6100**

L = 2000±50mm [78.74±1.97] - P/N: **USBBF6200**

## RECEPTACLE – FEMALE USB-B



RECEPTACLE P/N:  
**USBBF7**



CAP P/N: **USBBFC7**

# USB MINI B Field



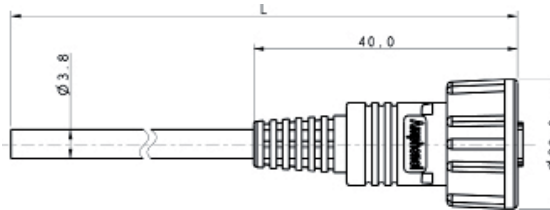
## IP68 SEALED MINI USB-B CONNECTION SYSTEM

- Plastic shells
- Thread coupling
- Overmolded plug cordset: male sealed Mini USB-B plug to open end
- Available cordset length: 2m and 5m. For other lengths, please contact us
- Rear mount Jam Nut receptacles with straight pcb and 90° pcb back terminations. Panel gasket is included
- Temperature range: -20°C +80°C

### Applications

- Embedded Computers
- Data Transfer
- Numerical Control Machine

## CORDSET MALE SEALED MINI USB-B PLUG TO OPEN END



### PIN ASSIGNMENTS

- (FRONT VIEW)
- 1 = RED (AWG 28)
  - 2 = WHITE (AWG 28)
  - 3 = GREEN (AWG 28)
  - 4 = YELLOW (AWG 28)
  - 5 = BLACK (AWG 28)
- Shield = Drain

### PART NUMBERS:

- L = 2000±50mm [78.77±1.97] - P/N: **USBMINIBF6200OPEN**  
 L = 5000±50mm [196.85±1.97] - P/N: **USBMINIBF6500OPEN**

## RECEPTACLE - FEMALE MINI USB-B



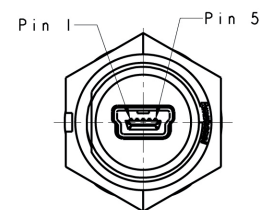
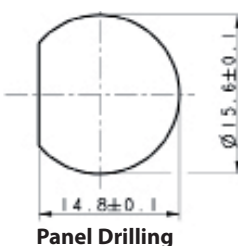
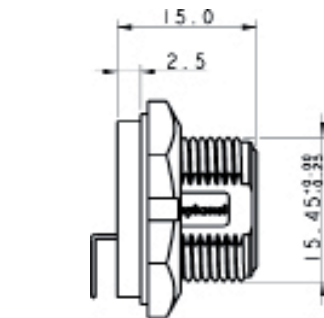
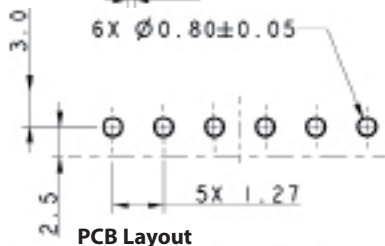
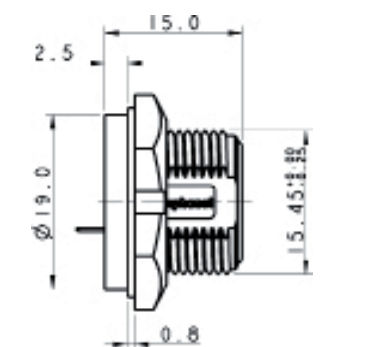
STRAIGHT PCB P/N: **USBMINIBF7PCB**



PCB 90° P/N: **USBMINIBF7PCB90**



FRONT VIEW



Pin Assignments Front view



CAP P/N: **USBMINIBFC7**

### COMMENT:

For 90° version, the distance from pcb edge is 2,5mm max



# HDMI FIELD



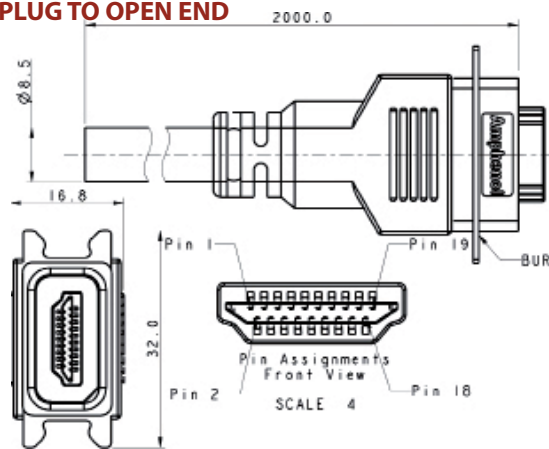
## SEALED (IP68) HDMI CONNECTION SYSTEM

- Plastic shells
- HDMI version: 1.3
- Latch coupling
- Overmolded plug cordset: male sealed HDMI plug to open end
- Available cordset length: 2m. For other lengths, please contact us
- Rear mount rectangular flange receptacle with 90°pcb back termination. Panel gasket is included
- Temperature range: -20°C +80°C

### Applications

- High Definition Video
- Rugged screen

## CORDSET MALE SEALED HDMI PLUG TO OPEN END



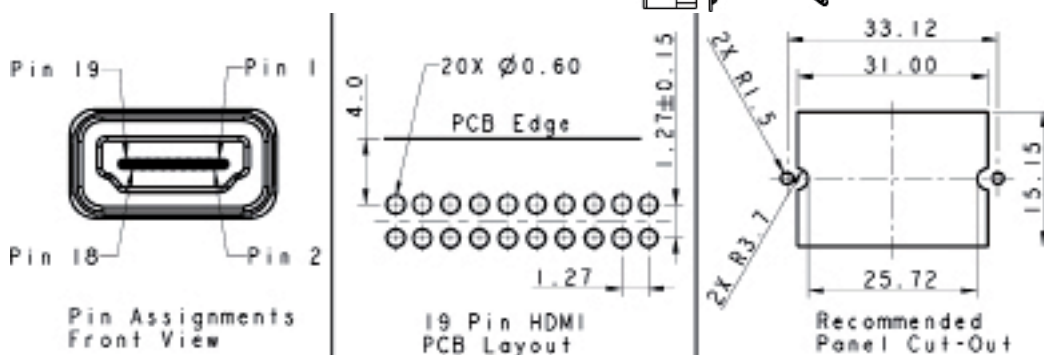
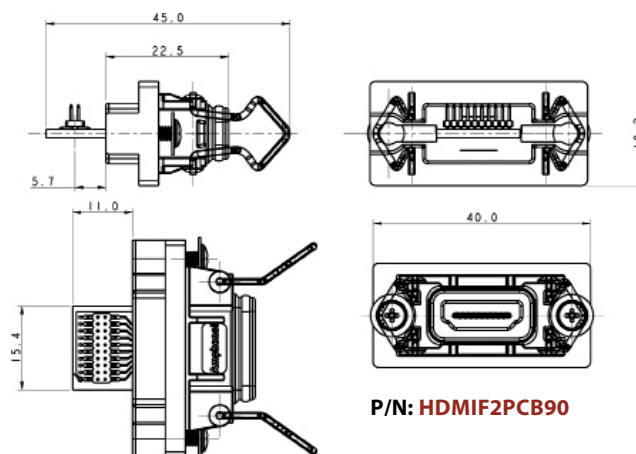
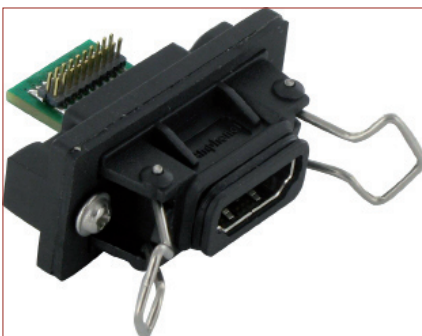
### PIN ASSIGNMENTS

- |            |             |
|------------|-------------|
| 1 = BROWN  | 13 = WHITE  |
| 2 = DRAIN  | 14 = GRAY   |
| 3 = WHITE  | 15 = YELLOW |
| 4 = RED    | 16 = ORANGE |
| 5 = DRAIN  | 17 = RED    |
| 6 = WHITE  | 18 = PURPLE |
| 7 = GREEN  | 19 = PINK   |
| 8 = DRAIN  |             |
| 9 = WHITE  |             |
| 10 = BLUE  |             |
| 11 = DRAIN |             |
| 12 = WHITE |             |

### PART NUMBERS:

L = 2000±100mm [78.74±3.94] -P/N: **HDMIF6200OPEN**

## RECEPTACLE - FEMALE HDMI



# RJ45 FIELD

Plastic shell - Overmolded cordset



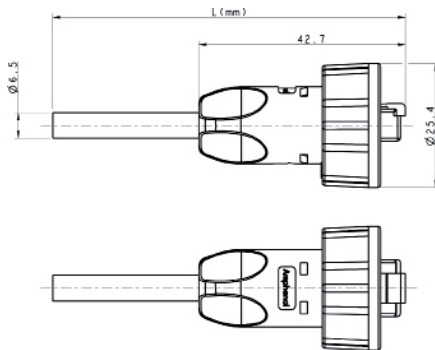
## IP68 SEALED ETHERNET/RJ45 CONNECTION SYSTEM

- Plastic shells
- Thread coupling
- Overmolded plug cordset: male sealed RJ45 plug to open end
- Available cordset lengths: 2m and 10m. For other lengths, please consult us
- Rear mount jam nut receptacles with straight RJ45 and 90° RJ45 back terminations. Panel gasket is included
- Temperature range: -20°C +80°C

### Applications

- Telecom Equipment
- Video Control
- Robotics
- Industrial Process Control
- CNC Machines
- Special Machines
- Motion Control
- Tele-maintenance

## CORDSET MALE SEALED RJ45 PLUG TO OPEN END



### PIN ASSIGNMENTS

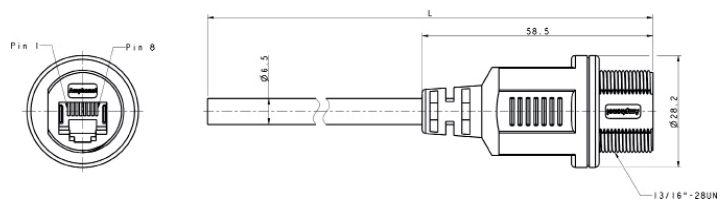
- (AWG24)
- 1 = ORANGE/WHITE
  - 2 = ORANGE
  - 3 = GREEN/WHITE
  - 4 = BLUE
  - 5 = BLUE/WHITE
  - 6 = GREEN
  - 7 = BROWN/WHITE
  - 8 = BROWN

### PART NUMBERS:

- L = 2000±100mm [78.74±3.94]
- L = 10000±500mm [393,70±19,69]

- P/N: **RJ45F6200OPEN**
- P/N: **RJ45F2KOPEN**

## CORDSET FEMALE RJ45 RECEPTACLE TO OPEN END



### PART NUMBERS:

- L = 2000±100mm [78.74±3.94]
- L = 10000±500mm [393,70±19,69]

- P/N: **RJ45F1200OPEN**
- P/N: **RJ45F11KOPEN**

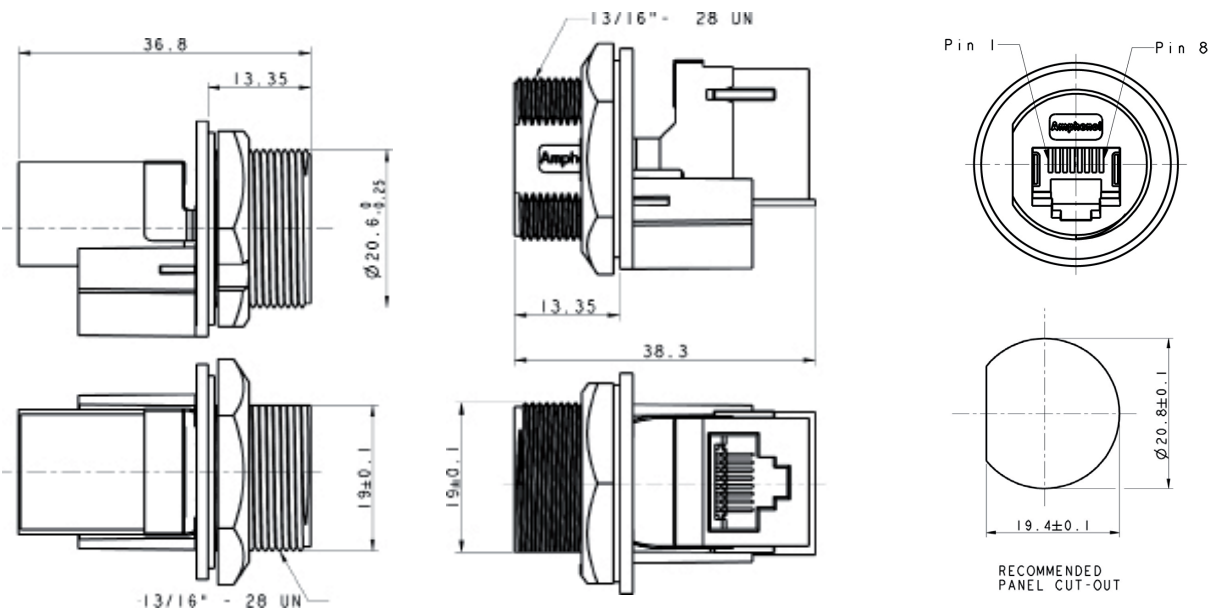
**RECEPTACLE - FEMALE RJ45**



**PART NUMBERS:**

Straight RJ45 back termination:  
90°RJ45 back termination:

P/N : **RJ45F7RJ**  
P/N : **RJ45F7RJ90**



**PLASTIC CAP WITH METAL CHAIN**



CAP P/N: **RJ45FC7**