



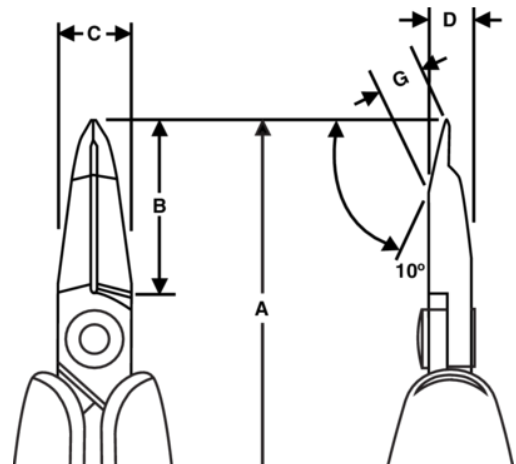
**RX 8233**

**ERGO™ Precision Micro Tip Cutters**  
**149 mm**





## PRODUCT DETAILS

- Precision micro tip cutters developed according to the scientific ERGO™ process
- ESD safe ERGO™ handles with two-component combination, thermoplastic surface for comfortable grip, on tough polypropylene core for rigidity
- Flush cut
- Cutting capacity: 0.1 mm to 0.65 mm Cu
- High-performance alloyed steel
- Phosphate finish
- Numerically controlled machine grinding guarantees edge angle accuracy and contact, increases the tool's reliability and consistency
- Precision induction-hardened edges 63-65 HRC
- Screw joint minimises friction and maximises alignment of cutting edges
- Bio spring limits the tension throughout the working cycle of the tool and can be adjusted to 3 different positions or removed
- Ideal rework and close fine pitch applications



## PRODUCT ATTRIBUTES

Product	A	B	C	D	G		
<b>RX8233</b>	149.0 mm	22.3 mm	10.6 mm	7 mm	7.2 mm	Flush	69 g

**Follow the Fish!**

