



# AIM & THURLBY THANDAR INSTRUMENTS

TG2511A | TG2512A | TG5011A | TG5012A



Advanced Function/Arbitrary/Pulse Generators - Single or Dual Channel

*Up to 50MHz sine and square, 14 digits or 1 $\mu$ Hz resolution*

*Arbitrary waveforms of up to 128K points at up to 125MS/s*

*True pulse generator with variable delay and variable rise/fall*

*Internal/external modulation, AM, FM, PM, PWM, Sum, FSK, BPSK*

*Programmable via USB, GPIB and LXI compliant LAN interfaces*

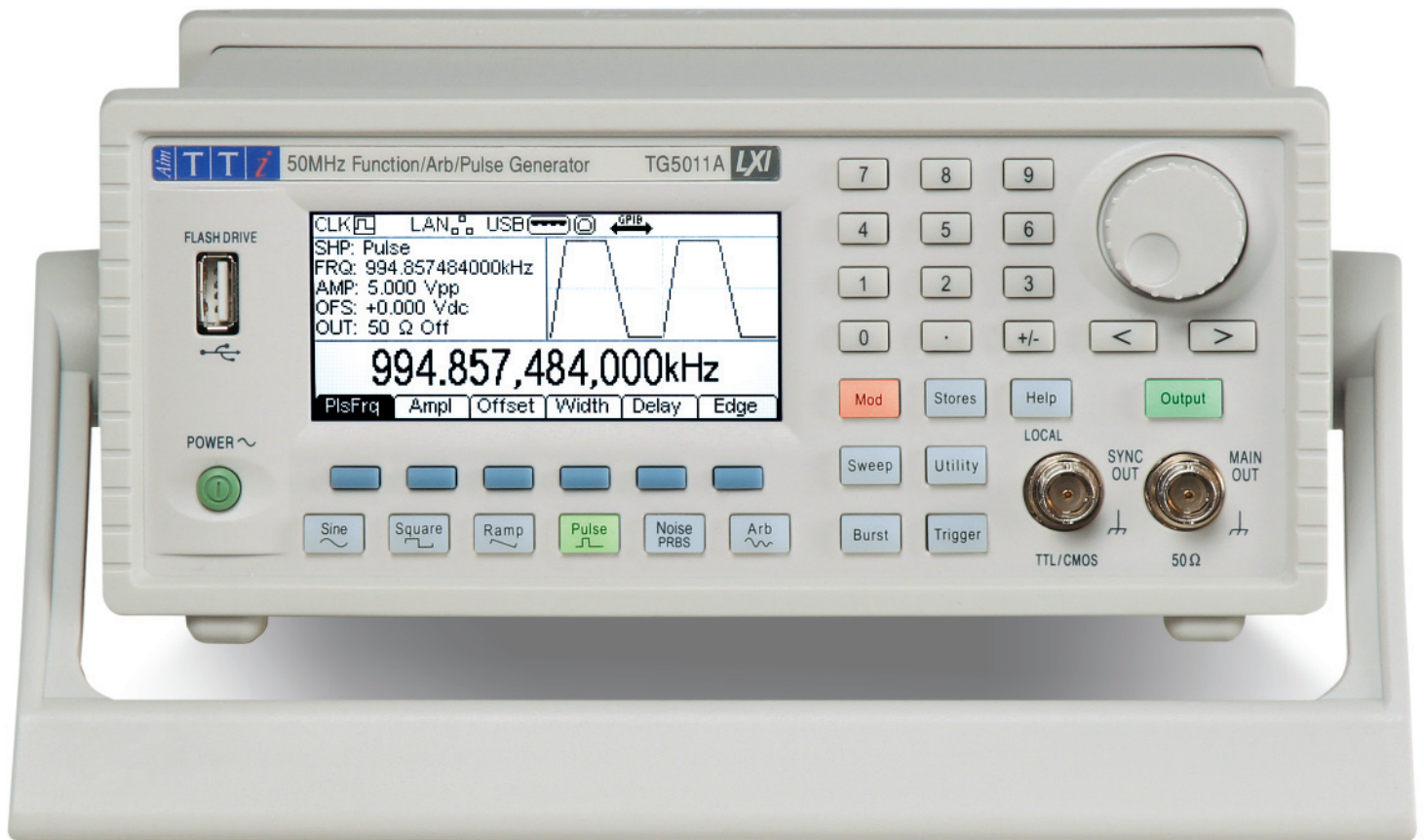
[aimtti.com](http://aimtti.com)

[aimtti.co.uk](http://aimtti.co.uk) | [aimtti.us](http://aimtti.us)

**Aim-TTi**

# TG5011A/TG2511A

## Function/Arbitrary/Pulse generators



- ▶ 0.001mHz to 50MHz or 25MHz range; 14 digits or 1μHz resolution.
- ▶ Standard waveforms include sine, square, ramp, pulse, sin(x)/x, noise, exponential, logarithmic, PRBS.
- ▶ True pulse generator with variable delay and variable rise/fall.
- ▶ Arbitrary waveforms of up to 128K points at up to 125MS/s.
- ▶ Waveform storage and file transfers using USB flash drives.
- ▶ Waveform Manager Plus for Windows editing software included.
- ▶ Large graphic LCD with simultaneous text and waveform display.
- ▶ Comprehensive internal and external digital modulations including AM, FM, PM, PWM, FSK, BSPK, Sum and PRBS.
- ▶ 20mV to 20V pk-pk output from 50Ω, available over the full frequency range; multi-function aux-out.
- ▶ Storage for multiple instrument set-ups in non-volatile memory.
- ▶ Compact half-rack 2U casing with protective buffers and handle.
- ▶ Programmable via USB and LAN (LXI) interfaces; GPIB optional.

The TG5011A and TG2511A represent the state-of-the-art in DDS based function generators. The 50MHz TG5011A significantly outperforms many generators in its price range, not only because of its frequency range, but also from its all round performance and features.

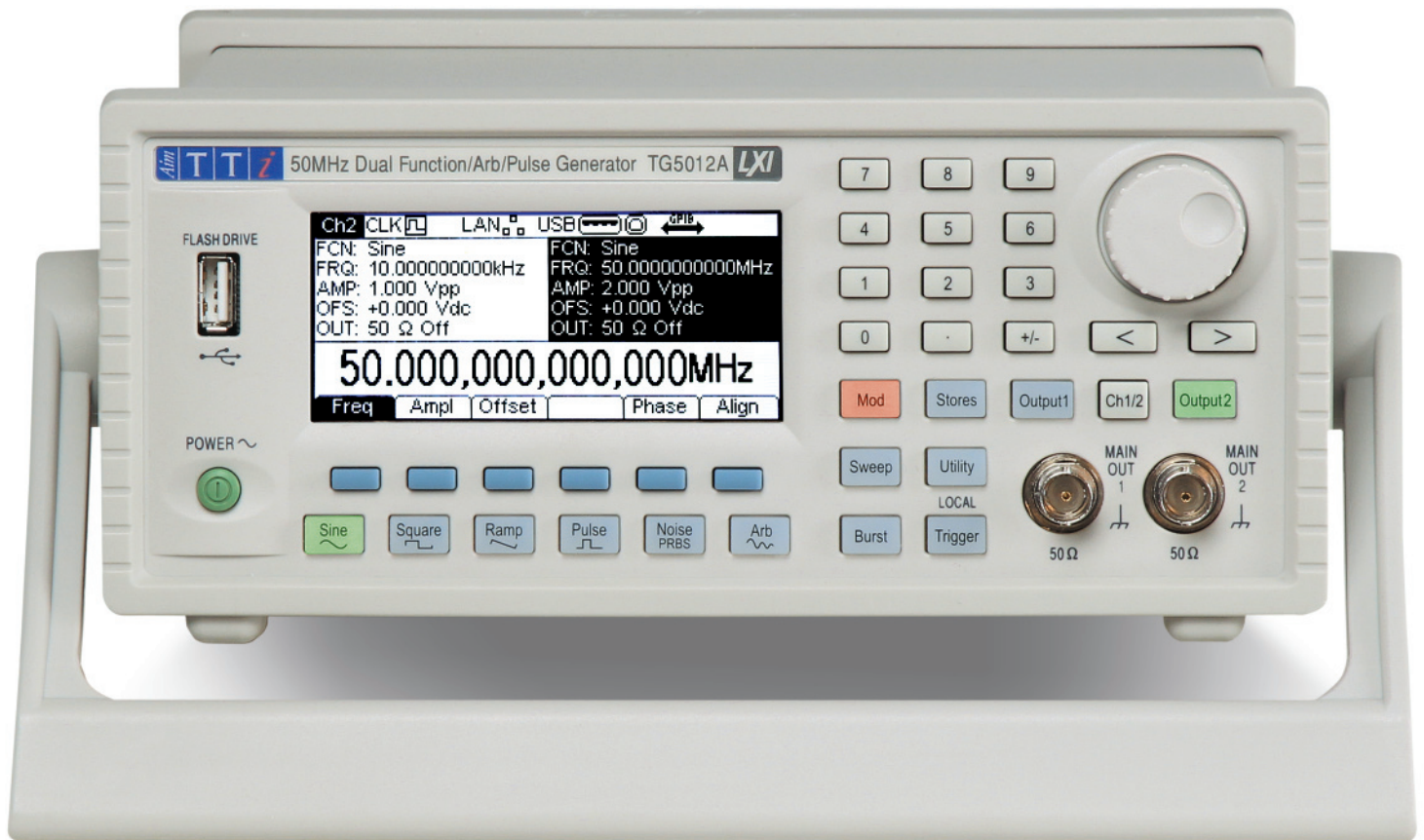
The TG2511A incorporates a similar feature set at a still lower cost and represents exceptional value for those with lower frequency requirements.

*Aim-TTi manufactures a wide range of function, arbitrary and pulse generators from lower frequency analog units to multi-channel variable clock arbitrary generators.*

|  |  |  |
|--|--|--|
|  |  |  |
|  |  |  |
|  |  |  |
|  |  |  |
|  |  |  |
|  |  |  |

# TG5012A/TG2512A

## 2 Channel Function/Arbitrary/Pulse generators



- ▶ Two identical channels - independent or linked with coupled and tracking modes.
- ▶ Selectable coupling of frequency (equal or offset), amplitude/dc offset.
- ▶ Inter-channel phase offset of  $-360^\circ$  to  $+360^\circ$  with  $0.1^\circ$  resolution.
- ▶ 0.001MHz to 50MHz or 25MHz range; 14 digits or  $1\mu\text{Hz}$  resolution.
- ▶ Standard waveforms include sine, square, ramp, pulse,  $\sin(x)/x$ , noise, exponential, logarithmic, PRBS.
- ▶ True pulse generator with variable delay and variable rise/fall.
- ▶ Arbitrary waveforms of up to 128K points at up to 125MS/s.
- ▶ Waveform storage and file transfers using USB flash drives.
- ▶ Waveform Manager Plus for Windows editing software included.
- ▶ Large graphic LCD with simultaneous text and waveform display.
- ▶ Comprehensive internal and external digital modulations including AM, FM, PM, PWM, FSK, BSPK, Sum and PRBS.
- ▶ 20mV to 20V pk-pk output from  $50\Omega$  ; multi function aux. out.
- ▶ Storage for multiple instrument set-ups in non-volatile memory.
- ▶ Compact half-rack 2U casing with protective buffers and handle.
- ▶ Programmable via USB and LAN (LXI) interfaces; GPIB optional.

The TG5012A and TG2512A are two channel versions of the TG5011A/2511A and have identical features augmented by multi-channel capabilities including coupling for frequency and/or level, full tracking, and defined phase offset.

The channels can also be used as completely independent generators and they represent excellent value for money when compared with buying two generators.

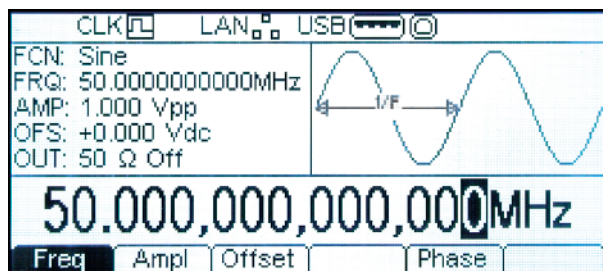
|  |  |  |
|--|--|--|
|  |  |  |
|  |  |  |
|  |  |  |
|  |  |  |
|  |  |  |
|  |  |  |

See Page 6 for more details concerning two channel models.

**50MHz**  
Sine & Square

## Higher Waveform Frequencies

The TG501xA out-performs other generators in its price range by offering both sine and square waves up to 50MHz. The lower cost TG251xA operates to 25MHz.



### Exceptional frequency precision

The frequency of these waveforms can be set with up to 14 digits or one micro hertz of resolution.

The DDS based frequency generation system uses a TCXO timebase oscillator with a stability of 1ppm.

### Waveform quality

The TG501xA and TG251xA generate high purity sine waves with low harmonic distortion and low phase noise. Square waves have a rise time of below 8ns (13ns on TG251xA) and low overshoot. Variable symmetry can be used up to 25MHz.

### Triangle and ramp

High quality triangle and variable symmetry ramp waveforms are available up to 1MHz (TG501xA) or 500kHz (TG251xA).

These waveforms are also available at higher frequencies via the arbitrary function but without symmetry adjustment and with reduced waveform quality as the frequency increases.

### VLF generation

The high resolution of the DDS system means that very low frequencies can be set. For example, a frequency of around 1mHz could be set with a resolution of 0.1% and a stability of 1ppm.

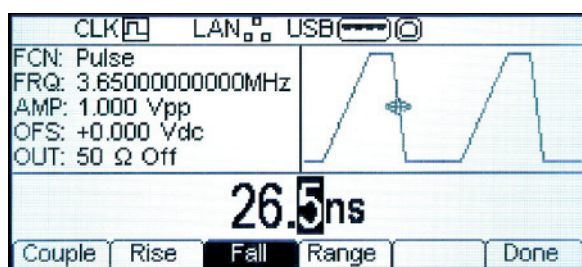
**Pulse generator**  
period/width/delay  
variable rise/fall

## Full Pulse Generator capabilities

Both models incorporate a pulse generator mode which provides wide range pulse width and delay independent of period. Rise and fall times (edge speeds) are also fully variable.

### Wide-range repetition rate

On the TG501xA, the pulse period can be set between 80ns and 2000 secs. (0.5mHz to 12.5MHz) with a resolution of 14 digits or 1μHz. On the TG251xA, the minimum pulse period is 160ns (6.25MHz).



### Fully variable pulse width and delay

Pulse width and pulse delay can be independently set to a resolution of 10ns. Minimum pulse width is 20ns and duty cycles can be as low as one in two billion.

*Note that display screens on this page are shown at around 80% of actual size.*

## Independently variable rise and fall

The generators offer very fast edge speeds of better than 8ns on the TG501xA or 13ns on the TG251xA, but the edges can be slowed down to simulate slower pulses.

Rise and fall times are independently variable in the range 5ns to 40us (10ns to 40μs on the TG251xA), or can be linked so that both edge speeds are the same.

## Trigger, burst and gate

As with all other waveforms, pulses can be triggered from an external trigger input (or a manual trigger, the internal trigger generator or a Bus command).

Burst mode creates a burst of between one and a million pulses in response to each active edge of the trigger.

Gated cause pulses to be generated only when the gate signal is true. The gate source can be external or internal exactly as the trigger signal.

**Arbitrary waveforms**  
128k words/14 bits  
125MS/s

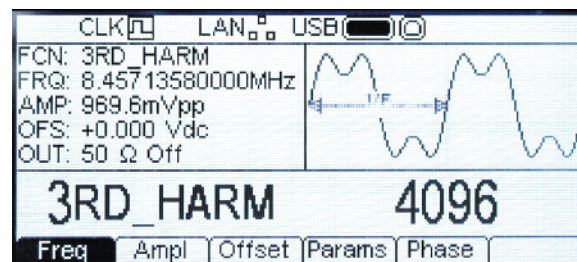
## Arbitrary Waveforms

Both generators offer DDS generated arbitrary waveforms capability. A number of standard waveforms are included, and up to four user defined arbitrary waveforms can be stored in the instrument at any one time.

### 14 bits, 128k words, 125MS/s

Waveforms have a vertical resolution of 14 bits (16,384 amplitude levels). Waveforms can be created using between 2 and 131,072 points (128k).

The sampling rate is 125MHz and DDS techniques are used to provide any repetition rate between 1μHz and 10MHz (TG501xA) or 6MHz (TG251xA) with up to 14 digits of frequency resolution.



## Internal and external waveform storage

Up to four user defined waveforms totalling up to 256k words can be stored within the permanent internal memory of the instrument.

However, a front mounted USB port enables external Flash memory storage of up to 1000 waveforms of any size.

This memory stick also provides a quick and convenient method for transferring waveform files to and from a PC. It can also be used for storing instrument set-ups.

**Complex waveforms**  
Pre-built waves for common applications

## Pre-built complex waveforms

Commonly used complex waveforms are provided both built-in to the instrument and for loading into the user defined waveform space.

These include  $\sin(x)/x$ , exponential rise and fall, logarithmic rise and fall, gaussian, lorentz, haversine and cardiac waveforms.

## Waveform creation & editing

Arbitrary waveforms can be created and edited using the simple tools built into the instrument. However, complex waveforms require an external PC based editor.

Both instruments are supplied with Waveform Manager Plus for Windows® which provides the most comprehensive set of waveform tools available including a mathematical expression editor, freehand drawing, waveform libraries, and import of waveforms using the Clip Board.

More information is provided on Page 7 of this brochure.



## USB Flash Drive Interface

Both instruments incorporate a front mounted USB socket for connection of flash memory disk drives which can store up to 1,000 waveforms and 1,000 setups.

## Unlimited Waveform Storage

These drives can be used both to store waveforms permanently and to transfer waveforms from or to a PC.

Arbitrary waveform storage within the instrument is limited to four waveforms. Each flash drive can store up to 1000 waveforms which can be accessed using the instruments file handling utilities.

| Local: Waveforms |       | Disk: Waveforms |        |
|------------------|-------|-----------------|--------|
| ➔ 3RD_HARM       | 4096  | ➔ 3RD_HARM      | 4096   |
| 2 START-3        | 16000 | RING-432        | 131072 |
| 3 TEMP14         | 250   | START-3         | 16000  |
| 4 ARB4           | 4     | STOP-3A         | 4      |
|                  |       | TEMP14          | 250    |

Buttons: Setup, Disk, Copy, Delete

## Storage of Instrument Set-ups

Up to nine complete set-ups of the instrument can be stored within its own non-volatile memory. Up to 1000 further set-ups can be stored on each flash drive.



## PRBS Waveforms

A PRBS (Pseudo-Random Bit Sequence) is a binary waveform with a sequence that is almost impossible to predict. PRBS waveforms are used within secure communications systems.

A PRBS is generated by a linear-feedback shift register with taps that generate a feedback signal via an exclusive-OR gate. The number of stages determines the sequence length ( $2^N-1$ ) whilst the clock frequency determines the bit rate. The stage length can be set to 7, 9, 11, 15, 20, or 23, resulting in sequence lengths from 127 to 8,388,607 bits at rates between 1Mbps to 50Mbps. Edges have variable rise and fall as per pulse waveforms.

The PRBS waveform can be used as both a carrier and a modulator.



## Digital Modulation, Internal & External

The generators offer a comprehensive set of digitally based modulations.

The internal modulation source can use any of the standard or arbitrary waveforms currently within the generator (including noise) thus removing the need for an external modulation source. A modulating frequency between 1µHz and 1MHz can be specified.

An external modulation input enables any external waveform source to be used when required. The external bandwidth is DC to 20kHz.

## AM, FM and PM

Sine, square, ramp or arbitrary waveforms can be modulated using amplitude, frequency or phase modulation.

Amplitude depth is variable from 0.0% to 120.0%, frequency deviation from zero to  $F_{max}/2$ , and phase deviation from -360.0 to +360.0 degrees.

| FCN: Sine AM |                  |
|--------------|------------------|
| FRQ:         | 10.0000000000MHz |
| MODFRQ:      | 1.00kHz          |
| DEPTH:       | 100.0 %          |
| SHAPE:       | Exp Rise         |

Buttons: Exp, Log, Arb1, Arb2, Done

## PWM

Pulse width modulation is available for the pulse function using any standard or arbitrary waveform including noise. Pulse width deviation is variable between 0% and 100%.

## Sum

Sum modulation adds the modulating waveform to the carrier. It can be used with Sine, Ramp and Arbitrary carrier waveforms along with any modulating waveform.

## FSK and BPSK

Frequency shift keying between any two frequencies is available for sine, square, ramp or arbitrary waveforms using the internal trigger generator or an external trigger signal.

The internal trigger generator is variable between 2MHz and 1MHz with nine digit resolution.

BPSK (Binary Phase Shift Keying) is similar to FSK but it is the carrier's phase, rather than its frequency, that switches between two values. It has advantages in terms of bandwidth used.

## PRBS

A PRBS waveform can be used as a modulating waveform at bit rates between 1ubps to 1Mbps.



## Sweep and Burst

Sweep, Burst and Gated modes of operation are available using either an external trigger signal or the internal trigger generator.

## Wide range Frequency Sweep

Phase continuous sweep is available for all standard and arbitrary waveforms except for pulse. The sweep range is from 1µHz through to the maximum for the chosen carrier waveform. Start and stop frequencies can be set independently.

The sweep can be linear or logarithmic, triggered or continuous with a period between 1ms and 500s. The sweep trigger can be manual or internal from the trigger generator or external from the trigger socket or from a remote interface command.

A marker is provided that outputs an edge synchronous with any frequency point within the sweep.

| FCN: Sine Burst |                   |
|-----------------|-------------------|
| FRQ:            | 2.550000000000MHz |
| TYPE:           | 3 Cyc             |
| PHASE:          | +0.0°             |
| TRIGGER:        | 1.0ms Pos         |

Buttons: Type, Count, Phase

## Triggered Burst

In Burst mode, each active edge of the trigger will produce one burst of the waveform.

The number of cycles in a burst can be set between 1 and 16,777,215 (or infinite). The burst starts and ends at a waveform phase angle settable between -360.0 to +360.0 degrees.

## Trigger signal

The trigger signal can be manual from the front panel key, internal from the internal trigger generator, external from the trigger-in socket, or remote via a bus command.

The trigger-in socket has a nominal TTL threshold and can be set to +ve edge or -ve edge triggering. The minimum trigger pulse width is 50ns.

The internal trigger generator is variable between 2MHz and 1MHz with 9 digit resolution.

## Gated

In Gated mode the waveform runs only when the gate signal is true. The start point of the waveform is settable from -360.0 to +360.0 degrees and a the last cycle is completed after the gate signal goes false.

All of the options available for triggering are available for gating. The trigger-in socket can be set as high or low for true.



## Noise Generation

Both models can generate gaussian white noise to a -3dB bandwidth of 20MHz. The noise generation algorithm achieves a high crest factor (peak to rms ratio) of 5.27.

## Adding Noise to a waveform

Noise can be added to any waveform except pulse. The amount of noise added can be specified as 0% to 50% of the amplitude of the carrier waveform.

## Modulating with Noise

Noise can be used as the modulating waveform for AM, FM, PM or PWM modulations using any of the carrier waveforms allowable for that modulation type.



## Locking to Other Sources

Both the models include external reference and phase locking as standard, unlike some competitor products for which they are an expensive option.

## External Frequency Reference

The generators use a high quality TCXO crystal as the internal frequency reference providing 1ppm accuracy and stability.

If a higher accuracy or stability is required, an external 10MHz reference signal (from an off-air standard for example) can be applied to the Ref. Clock input.

## Phase Locking Two Generators (or more)

Two generators can be synchronised to provide outputs at the same frequency (or at harmonics) and with a phase difference.

The amplitude and phase of these outputs can also be modulated providing the capability to perform QAM and QPSK respectively.

Any waveform other than pulse can be used, and the phase difference is adjustable between -360.0 and +360.0 to a resolution of 0.1 degrees. Skew is better than 5ns.

It is also possible to synchronise more than two generators but the resulting precision is not specified.

N.B. In the case of two channel generators, when phase synchronising is performed the two channels of each generator are also synchronised providing four synchronous waveforms.



## Two Channel Operation

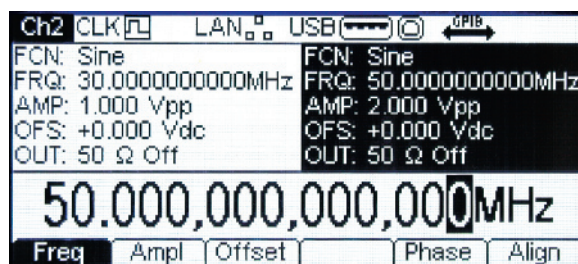
(TG2512A & TG5012A only)

The generators are available in one channel or two channel versions, the latter incorporating two outputs with identical capabilities.

two channel generators, both channels provide the full performance and specification, along with entirely independent operation when required. The two channel models represent excellent value for money when compared to purchasing two generators.

## Individual or Combined Display

The graphic LCD can be switched to show either output individually, or can be set to show the parameters or waveforms for both channels simultaneously.



In the latter mode the currently selected channel is shown in reverse video.

## Independent Channel Operation

The two channels can be operated completely independently as if they were two separate generators.

## Coupled Operation

The frequencies of the two channels can be coupled such that if frequency of one channel is changed the frequency of the other channel also changes either by a fixed ratio or fixed offset.

Frequency coupling can be performed if the carrier waveforms on both channels are either Sine, Square, Ramp, Pulse or Arbitrary.

Amplitudes (and DC offsets) of the two channels can be coupled such that changing the amplitude and offset on one channel changes the amplitude and offset of both channels.

Outputs of the two channels can be coupled such that switching the output on/off on one channel switches the output on/off of both channels.

## Tracking Operation

When in tracking mode both channels behave as one channel. If inverse tracking is selected, both channel still behave as one channel except that the output of channel 2 is inverted.

## Relative Phase

The relative phase can be set from -360 degrees to +360 degrees with 0.1 degree resolution. Pressing the 'align' key phase synchronises the two channels with the specified phase offset.

## Cross Channel Trigger

Either channel can be triggered by the other channel to set up a complex and versatile inter channel trigger scheme.

Each channel can have its trigger output waveform set up independently. Trigger Out may be selected to be carrier waveform referenced, modulation waveform referenced, sweep referenced, burst referenced or currently selected trigger of the channel.



## Full Remote Control

All functions of the generators can be controlled from the digital interfaces. Arbitrary waveform data can also be loaded using these interfaces.

An IVI driver for Windows is supplied. This provides support for common applications such as LabView\*, LabWindows\* and HP-VEE\*.



The LAN interface uses a standard 10/100 base-T Ethernet hardware connection with ICMP and TCP/IP Protocol for connection to a Local Area Network or direct connection to a single PC.

This interface supports LXI and is the most appropriate for larger system use because of its scalable nature.



The LAN interface is compliant with LXI (LAN eXtensions for Instrumentation).

LXI is the next-generation, LAN-based modular architecture standard for automated test systems

managed by the LXI Consortium, and is expected to become the successor to GPIB in many systems.



USB provides a simple and convenient means of connection to a PC and is particularly appropriate for small system use. USB has effectively replaced RS232 in many applications.

The interface uses a standard USB 2.0 hardware connection and is implemented as virtual-COM port. A Windows\* USB driver is provided.

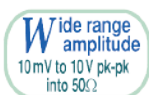
As well as the rear mounted USB device interface connector, a front mounted USB Host interface connector allows USB Flash memory to be connected.



An optional GPIB (IEEE-488) interface is available. When fitted, the instruments retain the USB and LAN interfaces giving them even greater flexibility.

\* LabView and LabWindows are trademarks of National Instruments. HPVEE (now Agilent VEE) is a trademark of Agilent Technologies.

\* USB interface is supported for Windows 2000, XP, Vista and Windows 7 and 8. Windows is a trademark of Microsoft Inc.



## High Waveform Quality

The high waveform quality with its low aberrations is available over a wide amplitude range of 20mV to 20V pk-pk emf (10mV to 10V into 50Ω).

DC offset is provided independently of waveform attenuation so, for example, a waveform amplitude of millivolts can be combined with a dc level of volts.

## Intelligent Amplitude Display

Amplitudes can be displayed as peak to peak or as RMS values, with the rms being correctly calculated for the waveform shape. RMS values can alternatively be specified in dBm.

If preferred values can be entered in terms of high level and low level instead of amplitude and offset.

The amplitudes are shown relative to the selected load impedance which is 50Ω (or High-Z) by default, but can be selected as any impedance between 1Ω and 10kΩ.



## Multi-function Sync Output

The Sync output provides a logic level signal that can perform a number of functions intended for synchronisation with external equipment:

- |                      |                                |
|----------------------|--------------------------------|
| Normal Waveform Sync | Modulation Sync                |
| Burst Sync           | Sweep Sync (with sweep marker) |
| Trigger Signal Out   | Phase Lock (for 2nd generator) |

The signal type can be selected manually or automatically dependent upon the function in use.

## Rear Panel Inputs and Outputs

In addition to the digital bus interfaces, the rear panel carries four I/O sockets:

- External Modulation Input - for AM, FM, PM and PWM external modulation.
- Trigger Input - for external triggering of Burst, Gated or Sweep waveforms.
- Reference Clock Input - for use with an external frequency reference or phase locking of two generators.
- Reference Clock Output - a buffered version of whichever clock (internal or external) that the generator is using.



## Waveform Manager Plus

Waveform Manager Plus (version 4) is a Windows\* based application for creation, editing and management of arbitrary waveforms using a PC.

It incorporates a complete suite of tools for waveform creation and editing including standard waveforms, mathematical expressions and freehand drawing. Virtually any waveform can be created using combinations of these tools.

## Mathematical Expression Editor

The sophisticated mathematical expression editor allows geometric, logarithmic and pulse functions to be combined to create exact representations of complex signals.

Different expressions can be used for different sections of a waveform and can be combined with imported waveforms or drawn waveforms where mathematical representation is not possible.

## Import of Other Waveforms

The program offers direct import from .csv files, the most commonly used format for graphical description. Additionally a Clipboard import function supports any waveform that can be described by a set of Y-axis data points regardless of their format.

Any instrument or waveform generating program that can create a list of Y values can therefore be accommodated. This is a highly flexible method which can be used to create arbitrary generator waveforms from signals captured by instruments such as oscilloscopes and network analysers, or from software such as MathCad.

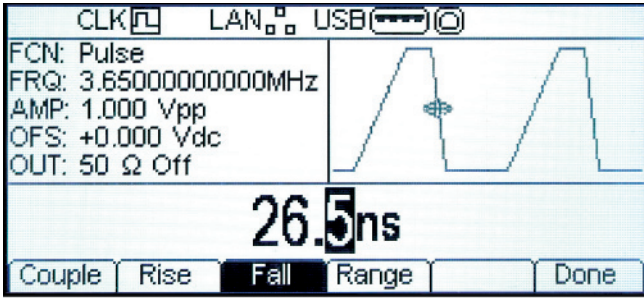


## High Resolution LCD

The 3.6" diagonal panel uses 256 x 112 pixels and provides a large amount of simultaneous information.

System connection information is shown on the top line. Below that is a general status screen showing five major parameters. These parameters change depending upon the function being used.

Below the status information is the main editing line which shows the parameter currently under control.



NOTE: The above display is shown Actual Size

## Representative Waveform Display

The area to the right of the status section shows a representation of the current waveform.

This is more than just a fixed display for each waveform, it is calculated from the waveform parameters and gives a live indication when values such as symmetry, rise time or pulse width are changed.

Even user defined arbitrary waveforms are shown (subject to the limitations of the display resolution).

Modulation waveforms and representations of the modulated carrier are shown simultaneously. Burst count waveforms are also shown graphically.

## Soft Key Control

Six soft keys below the display provide access and control of the parameters for each function.

All numeric parameters can be set directly from the numeric keypad, or can be changed using the spin wheel.

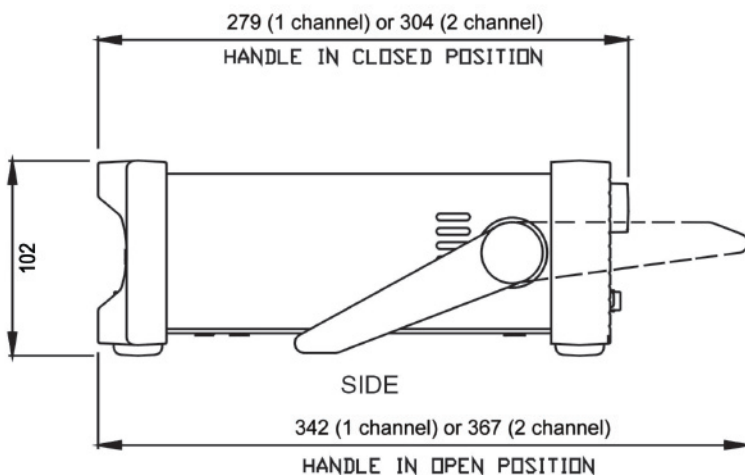


Period entry can be chosen instead of frequency, and amplitude and offset can be changed to Hi and Lo levels.

Frequencies can be entered in any units from uHz to MHz, periods from ns to seconds, and amplitudes in mV or V, rms or pk-pk, or in dBm



The currently selected waveform and major functions are also indicated by illumination of the respective keys.



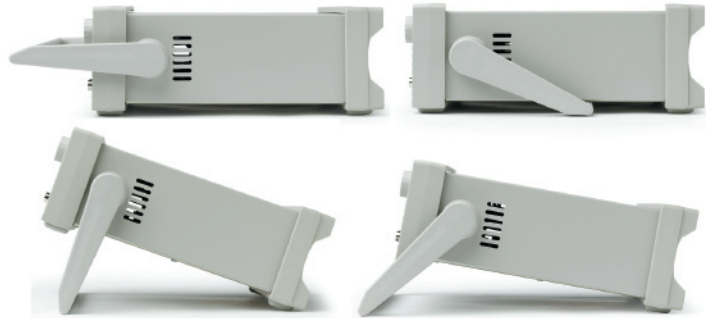
## Mechanical Drawings



## Bench-top Operation

The generators are highly compact and use a minimum of bench space.

Protective mouldings guard against knock damage and a multi-position stand angles the instrument conveniently as well as providing a carry handle.



## Rack Mounting

For system applications the generators can be rack mounted.

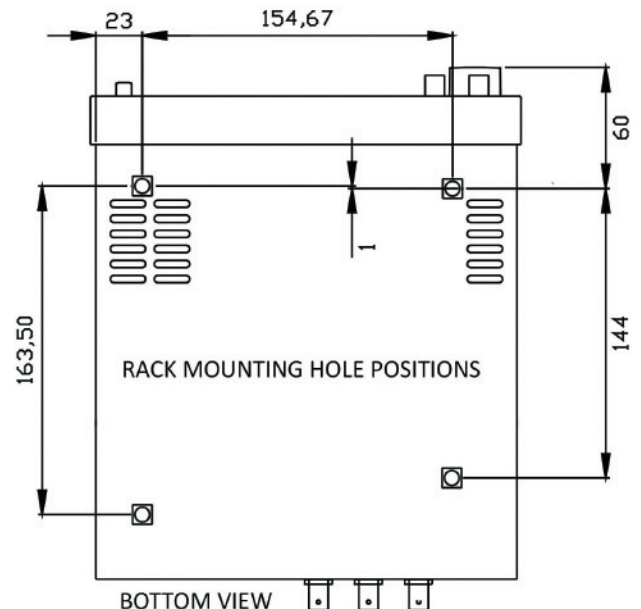
With the protective mouldings and handle removed the size is half rack width by 2U high.



A 2U rack mounting kit is available suitable for one or two instruments.



Rear panel mounts the digital interfaces and the rear I/O connectors. (Note: GPIB interface is an option)





# TG5011A, TG2511A, TG5012A, TG2512A - Technical Specifications

Note that specifications apply to 50MHz models (TG5011A and TG5012A) and that specifications for 25MHz models (TG2511A and TG2512A), where different, are in (dark red). For two channel models (TG5012A and TG2512A) specification apply to each output.

## STANDARD WAVEFORMS

### SINE

Note that purity specifications above 25MHz apply only to the TG5011A & TG5012A.

|                       |                                                         |         |
|-----------------------|---------------------------------------------------------|---------|
| Frequency Range:      | 1µHz to 50MHz (1µHz to 25MHz)                           |         |
| Frequency Resolution: | 1µHz, 14 digits                                         |         |
| Output Level:         | 10mVp-p to 10Vp-p into 50Ω                              |         |
| Amplitude Flatness    |                                                         |         |
| Relative to 1kHz:     | <100kHz 0.1dB, <5MHz 0.15dB, <25MHz 0.3dB, <50MHz 0.5dB |         |
| Harmonic Distortion:  | ≤ 1 Vp-p                                                | ≥ 1Vp-p |
| DC to 20kHz           | -65dBc                                                  | -65dBc  |
| 20kHz to 100kHz       | -60dBc                                                  | -60dBc  |
| 100kHz to 1MHz        | -45dBc                                                  | -45dBc  |
| 1MHz to 25MHz         | -40dBc                                                  | -35dBc  |
| 25MHz to 50MHz        | -40dBc                                                  | -28dBc  |
| Non-Harmonic Spuri:   | <-60dBc to 1MHz, <-60dBc + 6dB/octave 1MHz to 50MHz     |         |
| Phase Noise:          | -115dBc/Hz, typical (10kHz offset)                      |         |

### SQUARE

|                      |                                                                                                      |
|----------------------|------------------------------------------------------------------------------------------------------|
| Frequency Range:     | 1µHz to 50MHz (1µHz to 25MHz)                                                                        |
| Resolution:          | 1µHz, 14 digits                                                                                      |
| Output Level:        | 10mVp-p to 10Vp-p into 50Ω                                                                           |
| Rise and Fall Times: | <8ns (<13ns)                                                                                         |
| Overshoot:           | <5%                                                                                                  |
| Variable Duty Cycle: | 20% to 80% to 20MHz, 0.1% resolution, 40% to 60% to 25 MHz, 0.1% resolution, 50% (fixed) above 25MHz |
| Asymmetry:           | 1% of period + 5ns (@ 50% duty)                                                                      |
| Jitter (RMS):        | 0.5ns + 100 ppm of period                                                                            |

### RAMP & TRIANGLE

|                    |                                                                           |
|--------------------|---------------------------------------------------------------------------|
| Frequency Range:   | 1µHz to 1MHz (1µHz to 500kHz)                                             |
| Resolution:        | 1µHz, 12 digits                                                           |
| Output Level:      | 10mVp-p to 10Vp-p into 50Ω                                                |
| Linearity Error:   | <0.1% to 30 kHz                                                           |
| Variable Symmetry: | 0.0 % to 100.0 %, 0.1% resolution. Single key operation of 50% (Triangle) |

Note the triangle and sawtooth waveforms are also available from the arbitrary waveform menu enabling repetition rates of up to 10MHz/6MHz. Waveform quality will deteriorate at higher frequencies however.

### PULSE

|                   |                                                                                                                      |
|-------------------|----------------------------------------------------------------------------------------------------------------------|
| Frequency Range:  | 500 µHz to 12.5MHz (500 µHz to 6.25MHz)                                                                              |
| Resolution:       | 1µHz, 14 digits                                                                                                      |
| Output Level:     | 10mVp-p to 10Vp-p into 50Ω                                                                                           |
| Overshoot:        | <5%                                                                                                                  |
| Jitter:           | 300ps + 0.01% of period                                                                                              |
| Rise/Fall Times:  | Rise and Fall times can be independently varied or can be varied together simultaneously.                            |
| Edge Range:       | <8ns to 40µs (<13ns to 40µs)                                                                                         |
| Edge Resolution:  | 0.1ns for rise/fall time ≤100ns; 1ns for rise/fall >100ns and ≤2µs; 10ns for rise/fall >2µs and ≤40µs                |
| Width Range:      | 20ns to 2000s (20ns minimum for period ≤40s; 200 ns minimum for period >40s and ≤400s; 2µs minimum for period >400s) |
| Width Resolution: | 10ns for period ≤40s; 100ns for period >40s and ≤400s; 1µs for period >400s                                          |
| Delay Range:      | 0ns to 2000s                                                                                                         |
| Delay Resolution: | 10ns for period ≤40s; 100ns for period >40s and ≤400s; 1µs for period >400s                                          |

## PRBS WAVEFORMS

|                  |                                                              |
|------------------|--------------------------------------------------------------|
| Sequence Length: | 7, 9, 11, 15, 20, or 23 stages (127 to 8,388,607 bit length) |
| Bit Rate:        | 1µbps to 50Mbps (1µbps to 25Mbps)                            |
| Rise/Fall Times: | Rise/Fall times can be varied (rise time = fall time).       |
| Edge Range:      | <8ns to 40µs (<13ns to 40µs)                                 |

## ARBITRARY WAVEFORMS

### In-built Arbitrary Waveforms

Sine, Exponential Rise, Logarithmic Rise, DC, Positive and Negative Ramps and Square waveforms are built-in and always present. Additional waveforms are supplied on disc (Cardiac, Gaussian, Exponential Fall, Logarithmic Fall).

Frequency Range: 1µHz to 10MHz (1µHz to 6MHz)

### User defined Arbitrary Waveforms

Up to 4 additional or user defined waveforms may be stored in non-volatile memory. Waveforms can be defined by downloading of waveform data via USB memory stick, remote interfaces, or editing via the instrument's front panel.

|                      |                                                                                                                         |
|----------------------|-------------------------------------------------------------------------------------------------------------------------|
| Waveform Size:       | 2 points to 131072 points (128k).                                                                                       |
| Memory Size:         | Up to 4 waveforms of up to 64k points, or 2 waveforms of up to 128k points, (or 2 of 64k points plus 1 of 128k points). |
| External Storage:    | Up to 1,000 waveforms per USB memory stick                                                                              |
| Vertical Resolution: | 14 bits                                                                                                                 |
| Frequency Range:     | 1µHz to 10MHz (1µHz to 6MHz)                                                                                            |
| Resolution:          | 1µHz, 14 digits                                                                                                         |
| Output Level:        | 10mVp-p to 10Vpp into 50Ω                                                                                               |
| Sampling rate:       | 125MS/s                                                                                                                 |
| Output Filter:       | Selects between 50MHz Elliptic or 20MHz Bessel filter depending on the waveform.                                        |

## Arbitrary Waveform Creation and Editing

Waveform creation and editing is provided within the generator including point insertion, line drawing and interpolation.

### WAVEFORM MANAGER PLUS

Both generators are supplied with Waveform Manager Plus. This Windows\* based software provides a sophisticated tool set for the creation, editing and management of arbitrary waveforms. The waveforms can be transferred to the generator either using a USB memory stick, or by the digital interfaces.

## NOISE

Gaussian White Noise can be chosen as a waveform or added to any carrier waveform except pulse, square and noise itself (note however that noise can be added to the square wave available in the arbitrary menu). The amount of noise added can be specified as 0% to 50% of the amplitude of the carrier waveform. Noise can also be used as modulating waveform.

|                   |                           |
|-------------------|---------------------------|
| Bandwidth (-3dB): | 20MHz typical.            |
| Crest Factor:     | 5.27 (Vp/Vrms)            |
| Output Level:     | 10mVp-p to 10Vpp into 50Ω |

## INTERNAL FREQUENCY REFERENCE

|                  |                                            |
|------------------|--------------------------------------------|
| Ageing Rate:     | 1ppm first year                            |
| Temp. Stability: | <1ppm over the specified temperature range |

## MODULATION

### AM

|                                |                                                                                                                             |
|--------------------------------|-----------------------------------------------------------------------------------------------------------------------------|
| Carrier Waveforms:             | Sine, Square, Ramp, PRBS, Arb                                                                                               |
| Modulation Source:             | Internal/External                                                                                                           |
| Internal Modulating Waveforms: | Sine, Square, Up Ramp, Down Ramp, Triangle, Noise, DC, Sinc, Exponential Rise, Logarithmic Rise, PRBS and User Defined Arbs |

|                                |                                 |
|--------------------------------|---------------------------------|
| Internal Modulating Frequency: | 1µHz to 1MHz, 1µHz resolution   |
| Amplitude Depth:               | 0.0% to 120.0%, 0.1% resolution |

### FM

|                                |                                                                                                                             |
|--------------------------------|-----------------------------------------------------------------------------------------------------------------------------|
| Carrier Waveforms:             | Sine, Square, Ramp, PRBS, Arb                                                                                               |
| Modulation Source:             | Internal/External                                                                                                           |
| Internal Modulating Waveforms: | Sine, Square, Up Ramp, Down Ramp, Triangle, Noise, DC, Sinc, Exponential Rise, Logarithmic Rise, PRBS and User Defined Arbs |

|                                |                               |
|--------------------------------|-------------------------------|
| Internal Modulating Frequency: | 1µHz to 1MHz, 1µHz resolution |
| Frequency Deviation:           | DC to Fmax/2, 1µHz resolution |

### PM

|                                |                                                                                                                             |
|--------------------------------|-----------------------------------------------------------------------------------------------------------------------------|
| Carrier Waveforms:             | Sine, Square, Ramp, PRBS, Arb                                                                                               |
| Modulation Source:             | Internal/External                                                                                                           |
| Internal Modulating Waveforms: | Sine, Square, Up Ramp, Down Ramp, Triangle, Noise, DC, Sinc, Exponential Rise, Logarithmic Rise, PRBS and User Defined Arbs |

|                                |                                                 |
|--------------------------------|-------------------------------------------------|
| Internal Modulating Frequency: | 1µHz to 1MHz, 1µHz resolution                   |
| Phase Deviation:               | -360.0 to +360.0 degrees, 0.1 degree resolution |

### PWM

|                                |                                                                                                                             |
|--------------------------------|-----------------------------------------------------------------------------------------------------------------------------|
| Carrier Waveforms:             | Pulse                                                                                                                       |
| Modulation Source:             | Internal/External                                                                                                           |
| Internal Modulating Waveforms: | Sine, Square, Up Ramp, Down Ramp, Triangle, Noise, DC, Sinc, Exponential Rise, Logarithmic Rise, PRBS and User Defined Arbs |

|                                |                                                               |
|--------------------------------|---------------------------------------------------------------|
| Internal Modulating Frequency: | 1µHz to 1MHz, 1µHz resolution                                 |
| Width Deviation:               | 0% to 100% of pulse width, resolution same as per pulse width |

### SUM

|                                |                                                                                                                             |
|--------------------------------|-----------------------------------------------------------------------------------------------------------------------------|
| Carrier Waveforms:             | Sine, Ramp, Arb                                                                                                             |
| Internal Modulating Waveforms: | Sine, Square, Up Ramp, Down Ramp, Triangle, Noise, DC, Sinc, Exponential Rise, Logarithmic Rise, PRBS and User Defined Arbs |

|                                |                               |
|--------------------------------|-------------------------------|
| Internal Modulating Frequency: | 1µHz to 1MHz, 1µHz resolution |
| Ratio:                         | 0% to 100%; 0.1% resolution   |

### FSK

|                      |                                        |
|----------------------|----------------------------------------|
| Carrier Waveforms:   | Sine, Square, Ramp, PRBS, Arb          |
| Source:              | Internal/External (via TRIG IN)        |
| Internal Modulation: | 50% duty cycle square (2mHz to 100kHz) |

### BPSK

|                      |                                        |
|----------------------|----------------------------------------|
| Carrier Waveforms:   | Sine, Square, Ramp, PRBS, Arb          |
| Source:              | Internal/External (via TRIG IN)        |
| Internal Modulation: | 50% duty cycle square (2mHz to 100kHz) |

### Triggered Burst

Each active edge of the trigger signal will produce one burst of the waveform.

|                            |                                                                                         |
|----------------------------|-----------------------------------------------------------------------------------------|
| Carrier Waveforms:         | Sine, Square, Ramp, PRBS, Arb, Pulse                                                    |
| Maximum Carrier Frequency: | 10MHz (finite cycles), 50MHz (infinite), subject to carrier waveform.                   |
| Number of Cycles:          | 1 to 16,777,215 and infinite.                                                           |
| Trigger Rep. Rate:         | 2mHz to 1MHz internal dc to 1MHz external.                                              |
| Trigger Source:            | Internal from keyboard or trigger generator. External from TRIG IN or remote interface. |
| Start/Stop Phase:          | -360.0 to +360.0 degrees, 0.1 degree resolution.                                        |

# Technical Specifications (continued)

## Gated

Waveform will run while the Gate signal is true and stop while false.

Carrier Waveforms: Sine, Square, Ramp, PRBS, Arb, Pulse, Noise  
Max. Carrier Freq.: 10 MHz, subject to carrier waveform  
Trigger Rep. Rate: 2mHz to 1MHz internal, dc to 1MHz external.  
Gate Signal Source: Internal from keyboard or trigger generator.  
External from TRIG IN or remote interface.

Start/Stop Phase: -360.0 to +360.0 degrees, 0.1 degree resolution, subject to carrier waveform.

## Sweep

Frequency sweep capability is provided for both standard and arbitrary waveforms.

Carrier Waveforms: All standard, PRBS and arbitrary except pulse.  
Sweep Mode: Linear or logarithmic, triggered or continuous.  
Sweep Direction: Up, down, up/down or down/up.  
Sweep Range: From 1 $\mu$ Hz to 50MHz, (1 $\mu$ Hz to 25MHz) subject to carrier waveform.  
Phase continuous. Independent setting of the start and stop frequency.  
Sweep Time: 1ms to 500s (6 digit resolution).  
Marker: Variable during sweep.  
Trigger Source: The sweep may be free run or triggered from the following sources:  
Internal from keyboard or trigger generator.  
Externally from TRIG IN input or remote interface.

## Trigger Generator

Internal source 2mHz to 1MHz square wave adjustable in 1 $\mu$ s steps, 9 digit resolution.  
Also available for external use from the SYNC OUT socket.

## OUTPUTS

### Main Output

Output Impedance: 50 $\Omega$   
Amplitude: 20mV to 20Vp-p open circuit (10mV to 10Vp-p into 50 $\Omega$ ). Amplitude can be specified open circuit (Hi Z) or into an assumed load of 50 $\Omega$  or a specified impedance between 1 $\Omega$  and 10k $\Omega$  in Vpk-pk, Vrms or dBm.  
Amplitude Accuracy: 2%  $\pm$ 1mV at 1kHz into 50 $\Omega$ .  
DC Offset Range:  $\pm$ 10V. DC offset plus signal peak limited to  $\pm$ 10V from 50 $\Omega$ .  
DC Offset Accuracy: Typically 3%  $\pm$ 10mV.  
Resolution: 3 digits or 1mV for both Amplitude and DC Offset.

### Sync Out

Multifunction output user definable or automatically selected to be any of the following:

Carrier Waveform Sync: The function varies with waveform type as follows:

*Sine/Ramp/Pulse* - A square wave with 50% duty cycle at the waveform frequency.

*Square* - A square wave with same duty cycle as the main output at the waveform frequency.

*Arbs* - A square wave with 50% duty cycle at the waveform frequency. The sync is a TTL high when the first point of the waveform is output. *Noise* - No sync associated with noise.

Modulation Sync: The function varies with modulation type as follows:

*AM/FM/PM/PWM* - A square wave with 50% duty cycle referenced to the internal modulation waveform when modulation source is internal, or a square wave referenced to the carrier waveform when modulation source is external. No sync is associated with noise as the modulation source.

*FSK* - A square wave referenced to the trigger rate. The sync is a TTL high when hop frequency is the output frequency and TTL low when carrier frequency is the output frequency for positive slope and vice versa for negative slope.

Burst Sync: A square wave that is a TTL high when the burst begins and a TTL low when burst is completed.

Trigger: Selects the current trigger signal. Useful for synchronizing burst or gated signals.

Sweep Sync: The function varies with marker selection as follows:

*Marker Off* - A square wave that is a TTL low from the midpoint of the sweep and a TTL high from the end of the sweep.

*Marker On* - A square wave that is a TTL low from the marker frequency and a TTL high from the end of the sweep.

Output Signal Level: Logic level nominally 3V.

### Ref Clock Output

Buffered version of the 10MHz clock currently in use (internal or external)

Output Level: Nominally 3V logic level from 50 $\Omega$ .

## INPUTS

### Trig In

Frequency Range: DC - 1MHz.  
Signal Range: Threshold nominally TTL level; maximum input  $\pm$ 10V.  
Minimum Pulse Width: 50ns  
Polarity: Selectable as high/rising edge or low/falling edge.  
Input Impedance: 10k $\Omega$

### External Modulation Input (for AM, FM, PM, PWM)

Voltage Range:  $\pm$  5V full scale  
Input Impedance: 5k $\Omega$  typical  
Bandwidth: DC to 20kHz

### Ref Clock Input

Input for an external 10MHz reference clock  
Voltage Range: 1Vpp - 5Vpp  
Maximum Voltage: +5V  
Minimum Voltage: -1V

## TWO CHANNEL OPERATION (TG5012A & TG2512A only)

The two channels can be operated independently so as to act as entirely separate generators. Alternatively the channels can interact as follows:

### Coupled Operation

Coupled Frequency: Frequencies can be coupled such that if frequency of one channel is changed the frequency of the other channel also changes either by a fixed ratio or fixed offset. A pulse waveforms can only be frequency coupled to another pulse waveform, however sine, square, ramp or Arb waveforms can be coupled to any other waveform of that group.

Coupled Level: -Amplitudes (and DC offsets) of the two channels can be coupled such that changing the amplitude and offset on one channel changes the amplitude and offset of both channels.

Coupled On/Off: Coupling can be set such that switching the output on/off on one channel switches the output on/off of both channels.

### Tracking Operation

When in tracking mode both channels behave as one channel. If inverse tracking is selected, both channel still behave as one channel except that the output of channel 2 is inverted.

### Relative Phase

Pressing the 'align' key phase synchronises the two channels with the specified phase offset.

Phase Range: -360.0 to +360.0 degrees

Resolution: 0.1 degree

Skew (typical): <1ns

### Cross Channel Trigger

Either channel can be triggered by the other channel to set up a complex and versatile inter channel trigger scheme.

Each channel can have its trigger output waveform set up independently. Trigger Out may be selected to be carrier waveform referenced, modulation waveform referenced, sweep referenced, burst referenced or the currently selected trigger of the channel.

### Crosstalk

Channel Crosstalk: Typically better than 80dB

### Control and Display

The control of each channel is selected by the Channel Select key.

The display can be assigned either completely to the selected channel, or the upper section can display the main set-up parameters or waveforms for both channels simultaneously.

## PHASE SYNC (Phase Synchronising Two Generators)

Two generators can be synchronised together to provide outputs at the same frequency (or harmonics) and with a phase difference.

The amplitude and phase of these outputs can also be modulated providing the capability to perform QAM and QPSK respectively.

In case of 2 channel generators when phase synchronising is performed the two channels of each generator are also synchronised providing four synchronous waveforms.

It is also possible to synchronise more than two generators but the precision is not guaranteed.

Carrier Waveforms: Sine, Square, Ramp, Pulse, Arb

Phase Range: -360.0 to +360.0 degrees

Resolution: 0.1 degree

Accuracy: <  $\pm$ 5ns

## BUS INTERFACES

Full digital remote control facilities are available through LAN and USB and optional GPIB interfaces.

LAN Interface: Ethernet 100/10base - T hardware connection.

LXI Compliance: LXI V1.2, Class C compliant.

USB Interface: Standard USB 2.0 hardware connection.  
Implemented as virtual-COM port.

GPIB Interface: Conforming with IEEE-488.1 and IEEE-488.2 (option G only)

USB Flash Drive: Front mounted socket for waveform and setup storage/recall.

### Driver Software Supplied

IVI Driver: An IVI driver for Windows is supplied. This provides support for common applications such as LabView\*, LabWindows\*, HPVVE\* etc.

LV/CVI Driver: Full installation for CVI and LabVIEW instrument drivers.

USB Driver: An installation file is supplied calling a standard Windows\* USB driver.

\* LabView and LabWindows are trademarks of National Instruments.

HPVVE (now Agilent VEE) is a trademark of Agilent Technologies.

\* USB interface is supported for Windows 2000 and above (inc. 64-bit versions)  
Windows is a trademark of Microsoft.

# Technical Specifications (continued)

## GENERAL SPECIFICATIONS

### Display and Data Entry

Display: Type: Black on white backlit graphics display - pixel format: 256 x 112  
Data Entry: Keyboard selection of mode, waveform etc.; value entry direct by numeric keys or by rotary control.  
Stored Settings: Up to 9 complete instrument set-ups may be stored and recalled from non-volatile memory. Up to 1000 set-ups can be stored per USB stick.

### AC Supply

AC Input: 110-240VAC  $\pm$ 10% 50/60Hz; 100-120VAC  $\pm$ 10% 400Hz; 60VA max. Installation Category II.

### Temperature & Environmental

Operating Range: +5°C to +40°C, 20% to 80% RH  
Storage Range: -20°C to +60°C  
Environmental: Indoor use at altitudes up to 2000m, Pollution Degree 2.

### Safety & EMC

Safety: Complies with EN61010-1  
EMC: Complies with EN61326

### Physical (one channel models)

Size: Bench top use: height 97mm (2.62"); width 250mm (9.84"); length 270mm (10.63"). Rack mounted use: height 86.5mm (3.4"); width 213.5mm (8.4"); length 244mm (9.61"); i.e. 1/2-rack x 2U.  
Weight: 2.55 kg (5.6 lbs)

### Physical (two channel models)

Size: Bench top use: height 97mm (2.62"); width 250mm (9.84"); length 295mm (11.62"). Rack mounted use: height 86.5mm (3.4"); width 213.5mm (8.4"); length 269mm (10.59"); i.e. 1/2-rack x 2U.  
Weight: 2.7 kg (5.95 lbs)

## OPTIONS

### Rack Mount (RM200A)

19 inch 2U rack mount suitable for one or two generators.

### GPIB Interface (Option TG-GPIB)

Retro-fittable GPIB (IEEE-488) interface card.

## ORDERING INFORMATION

Four versions of the product are available as follows:

TG2511A 25MHz 1-Channel Generator.  
TG5011A 50MHz 1-Channel Generator.  
TG2512A 25MHz 2-Channel Generator.  
TG5012A 50MHz 2-Channel Generator.

TG-GPIB Retro-fittable GPIB interface for any model.

Each product is supplied with the following:

Printed operating manual in English. PDF operating manuals on disk in English, French, German, Italian and Spanish.

IEC mains lead appropriate to the geographic market in which it is sold.

Software on disk including: Waveform Manager Plus for Windows (version 4), IVI driver, LabView driver, CVI driver, USB driver, LXI discovery tool, TCP example program.

*Specifications apply for the temperature range 18°C to 28°C after 30 minutes warm-up, at maximum output into 50  $\Omega$  unless otherwise stated.*

*Thurlby Thandar Instruments Ltd. operates a policy of continuous development and reserves the right to alter specifications without prior notice.*

Available from:

Designed and built in Europe by:



**Thurlby Thandar Instruments Ltd.**

Glebe Road, Huntingdon, Cambridgeshire. PE29 7DR United Kingdom

Tel: +44 (0)1480 412451 Fax: +44 (0)1480 450409

Email: sales@aimtti.com Web: www.aimtti.com