



# HALF WAVE CONTROLLER

**UV15/D**  
X10338

## INTRODUCTION

This single phase half wave controller with integral high current device, has been designed to operate on either 110V or 240Vac supplies. Its simple 2 wire connection plus Earth allows for easy installations. The output is set by use of a 25K potentiometer with a cermet mounted on the PCB for minimum settings where required.

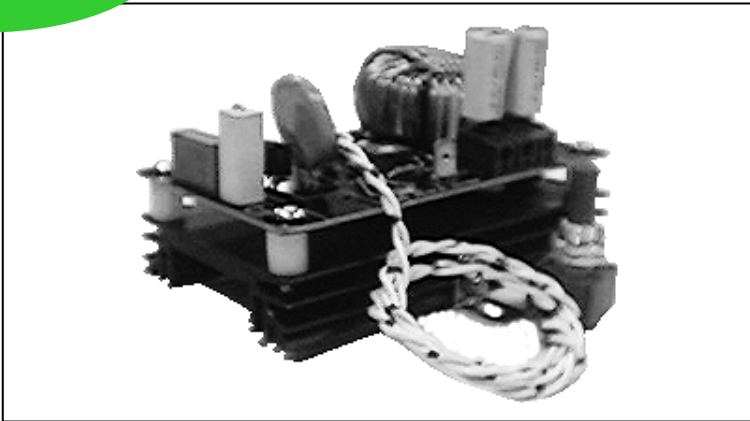
## APPLICATIONS

Vibrator coils

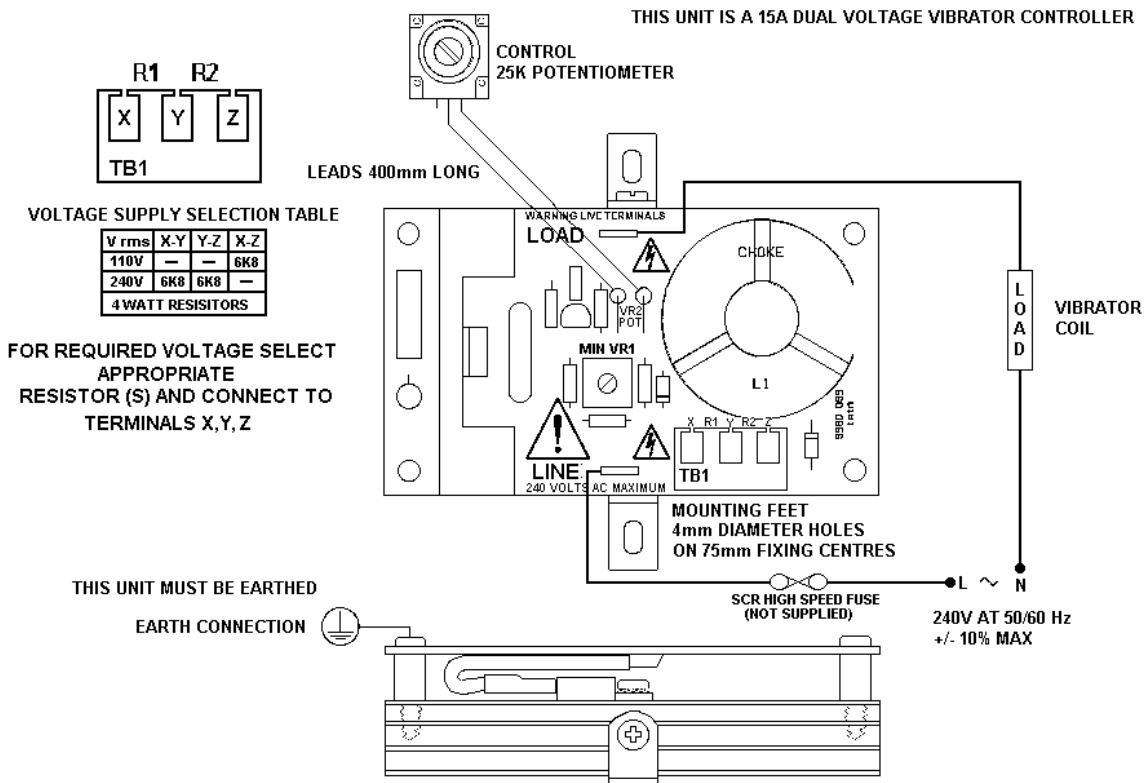
**RoHS Compliant  
Directive  
2002/95/EC**

## FEATURES

- Solid state reliability.
- Dual voltage.
- Simple wiring.
- Adjustable minimum output
- Energy Saving



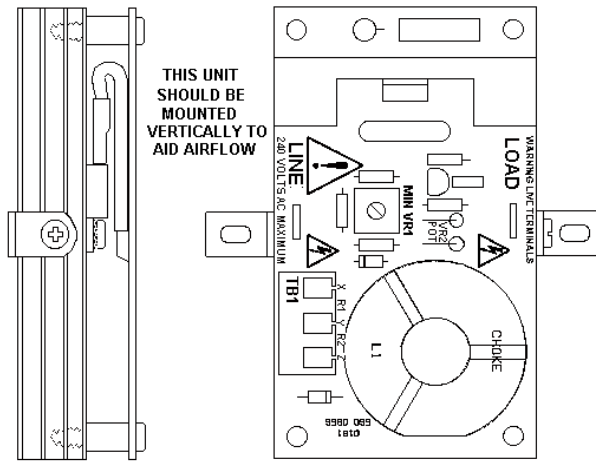
## INSTALLATION



**WARNING: ISOLATE FROM MAINS SUPPLY BEFORE COMMENCING ANY SERVICE WORK. (SEE SRA AND ITA DATA SHEETS)**  
NOTE: REMOTE POTENTIOMETER LEADS ARE AT HAZARDOUS LIVE POTENTIAL AND OTHER COMPONENTS

## INSTALLATION

### COOLING REQUIREMENT



## SPECIFICATIONS

Supply	110 or 230Vac $\pm$ 10% @ 50/60Hz
Unit RMS Current Rating	15A
Peak Single Cycle Surge Current	500A
Thyristor Limiting RMS Current	50A
I <sup>2</sup> t for Fusing (10ms)	112A <sup>2</sup> s
Maximum Peak Voltage	1000V
Minimum Operating Current	200mA
Storage Temperature Range	0-85°C
Operating Temperature	0-65°C

## FUSING

It is recommended to use semiconductor (fast acting) type fuses or circuit breakers (Semiconductor - MCB) for unit protection. On initial 'switch on' some loads may need an increased factor of safety (F of S) for unit and/or device protection. (See SRA Datasheet for further information).

## CE MARKING

This product family carries a "CE marking". This controller needs a suitable remote filter. For information see recommendation section and contact our sales desk. (See Declaration of Conformity).

## RECOMMENDATIONS

Other documents available on request, which may be appropriate for your application:-

CODE	IDENTITY	DESCRIPTION
X10229	RFI	Filtering recommendations - addressing EMC Directive
X10213	ITA	Interaction, uses for phase angle and for burst fire control.
X10255	SRA	Safety requirements - addressing the Low Voltage Directive (LVD) including:- Thermal data/cooling ; "Live" parts warning & Earth requirements; Fusing recommendations.
AP02/4	COS	UAL Conditions of sale.

**NOTE** It is recommended that installation and maintenance of this equipment should be done with reference to the current edition of the I.E.E. wiring regulations (BS7671) by suitably qualified/trained personnel. The regulations contain important requirements regarding safety of electrical equipment (For International Standards refer to I.E.C. directive IEC 950).

## ORDER CODE

State part number: UV15/D



## UNITED AUTOMATION LIMITED

Southport Business Park  
Wight Moss Way  
Southport, PR8 4HQ  
ENGLAND

Tel: 0044 (0) 1704 – 516500  
Fax: 0044 (0) 1704 – 516501  
enquiries@united-automation.com  
www.united-automation.com

Page No. 2 of 2

Issue 2

Date 05/12/01

