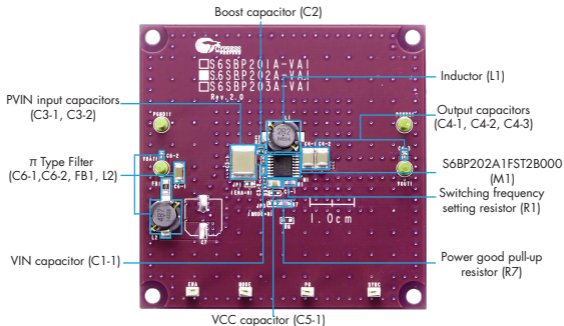


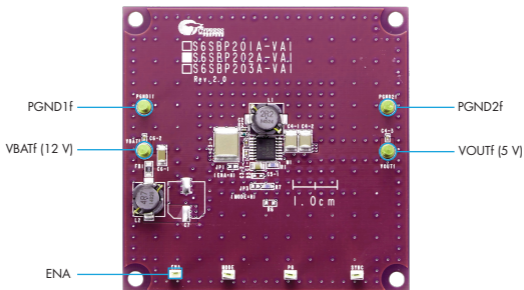
## S6SBP202A1FVA1001 1-CH BUCK-BOOST DC/DC CONVERTER IC EVALUATION KIT



### S6SBP202A1FVA1001 Features:

- Input voltage range: 2.5 V to 42 V
- Output voltage: 5 V (Typ)
- Output current: up to 2.4 A
- Switching frequency range: 200 kHz to 2.1 MHz
- Soft start time: 0.9 ms (at switching frequency 2.1 MHz)
- Power-on reset time: 14 ms
- Size: 6.5 cm x 6.5 cm

# S6SBP202A1FVA1001 1-CH BUCK-BOOST DC/DC CONVERTER IC EVALUATION KIT



## Setup\*

- 1 Connect VBATf to a power supply and PGND1f to the ground.
- 2 Connect ENA to VBATf.
- 3 Connect VOUTf to a voltmeter.

## Check\*

- 1 Apply 12 V to VBATf.
- 2 VOUTf voltage should be 5 V (typ).

\*Do not supply power to VBATf until the setup is complete.

For the latest information about this kit and hardware files,  
visit [www.cypress.com/S6BP202A/Kit-User-Guide](http://www.cypress.com/S6BP202A/Kit-User-Guide)