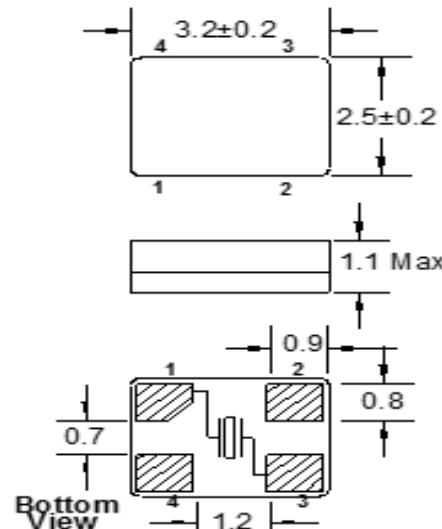
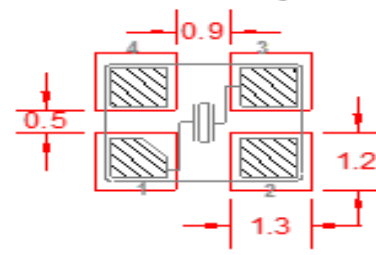


Features

- Tolerances down to ± 20 PPM
- Stabilities down to ± 10 PPM

STANDARD SPECIFICATIONS	
PARAMETERS	MAX (Unless otherwise noted)
Frequency Range	12.000 ~ 50.000 MHz
Frequency Tolerance @ 25°C	(See options below)
Frequency Stability, ref 25°C	
Over Operating Temp Range	(See options below)
Temperature Range	
Operating (T_{OPR})	(See options below)
Storage (T_{STG})	-55°C ~ +125°C
Shunt Capacitance (C_0)	3 pF
Load Capacitance (C_L)	(See options below)
Drive Level	100 μ W
Aging per year (@ 25°C)	± 5 PPM
Maximum Soldering Temp / Time	260°C / 10 Seconds
Moisture Sensitivity Level (MSL) per J-STD-033	1
Termination Finish	Ag
Seal Method	Resin
Lead (Pb) Free	YES
RoHS Compliant	YES

Frequency Range (MHz)	Operating Mode	Max ESR Ω
12.000 ~ 15.999999	Fundamental	120
16.000 ~ 20.000	Fundamental	100
20.000001 ~ 25.000	Fundamental	80
25.000001 ~ 30.000	Fundamental	60
30.000001 ~ 50.000	Fundamental	50

DIMENSIONS / MECHANICAL SPECIFICATIONS
 <p>Bottom View</p> <p>Cut Corner may be Pad 1 or Pad 3</p> <p>Recommended Solder Pad Layout</p> 
Note: Dimensional drawing is for reference to critical specifications defined by size measurements.

AVAILABLE OPERATING TEMPERATURES AND STABILITIES*						
Operating Temperature	± 10 PPM	± 15 PPM	± 20 PPM	± 25 PPM	± 30 PPM	± 50 PPM
-10°C ~ +70°C	O	O	O	O	O	O
-20°C ~ +70°C	O	O	O	O	O	O
-40°C ~ +85°C	X	X	X	X	O	O

Key: O = Available, X = Not Available, Δ = Consult Fox Technical Support *Does not imply a stocked part.

FC3BQ

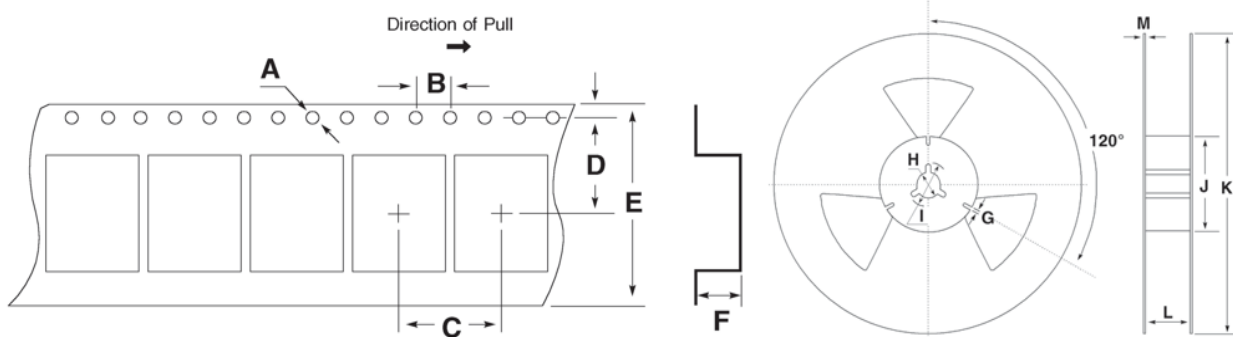
(Former FQ3225B)

3.2mm x 2.5mm

SMD Crystal



TAPE SPECIFICATIONS (mm)							REEL SPECIFICATIONS (mm)						
A	B	C	D	E	F	REEL QTY	G	H	I	J	K	L	M
ø1.5	4.0	4.0	3.5	8.0	1.25	-T3 = 3,000 default -T2 = 2,000 -T1 = 1,000	2.0	ø13	ø21	ø62	ø178	9.0	1.2



Available Options & Part Identification for SMD Crystal C3BQ¹

Sample PN: FC3BQBBME25.0-T3

F	C3BQ	B	B	M	E	25.0	-T3
Fox	Model Number	Tolerance B = ±50 PPM C = ±30 PPM D = ±25 PPM E = ±20 PPM	Stability B = ±50 PPM C = ±30 PPM D = ±25 PPM E = ±20 PPM F = ±15 PPM H = ±10 PPM	Load Capacitance² V = 7pF D = 8pF E = 10pF G = 12pF K = 16pF M = 20pF	Operating Temperature E = -10 to +70°C F = -20 to +70°C M = -40 to +85°C	Frequency (MHz)	Values Added Options Blank = Bulk T1 = 1,000 pcs T2 = 2,000 pcs T3 = 3,000 pcs

1 Not all frequency, tolerance, stability, load, and operating temperature combinations may be available.

2 Listed load capacitances represent the most commonly used. Other load capacitances are available. Contact us for assistance

Reliability Test Conditions

Please contact Abracon Quality Assurance department