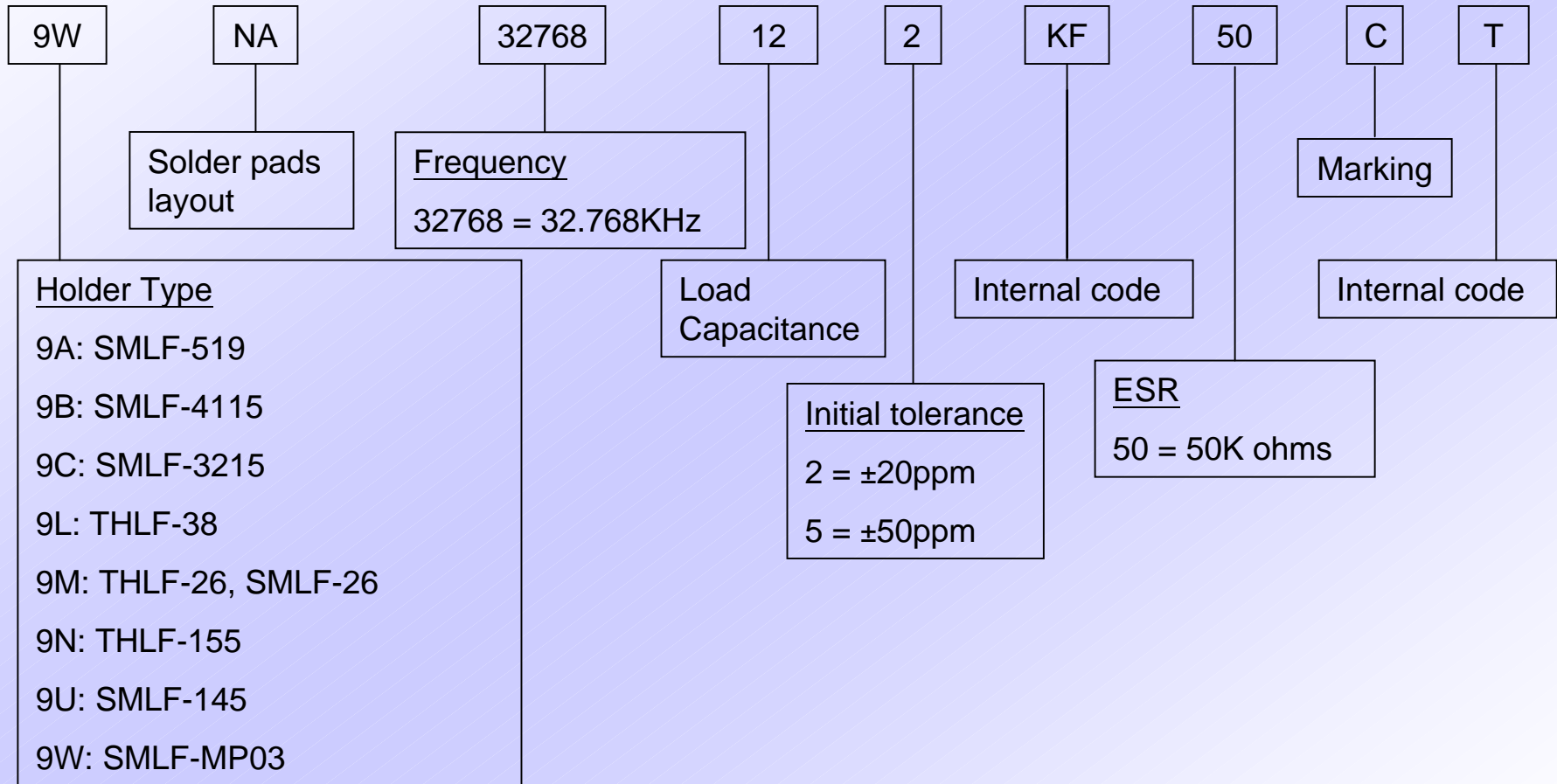




Part Number Identification

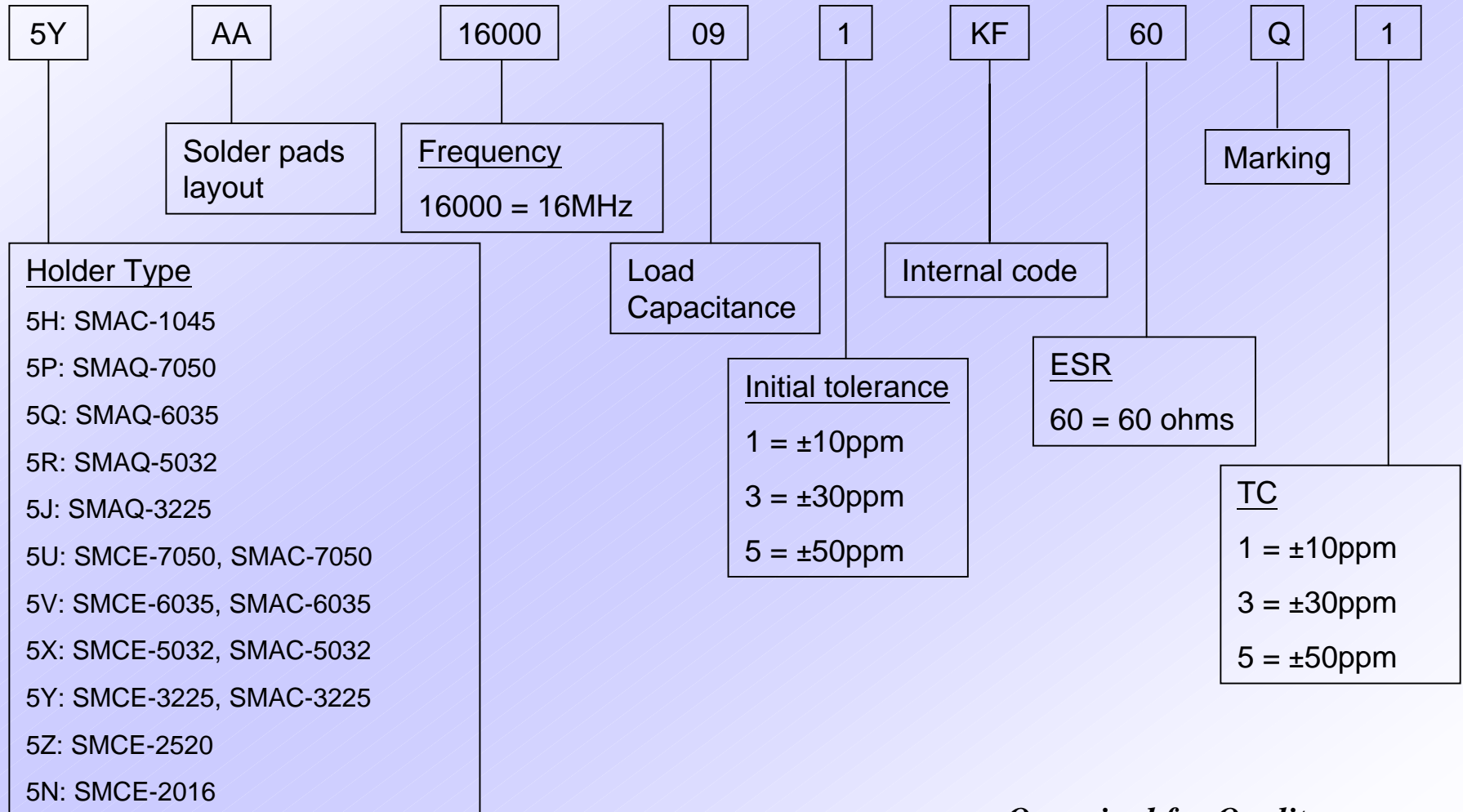
KHz Range SMD Crystal Resonators





Part Number Identification

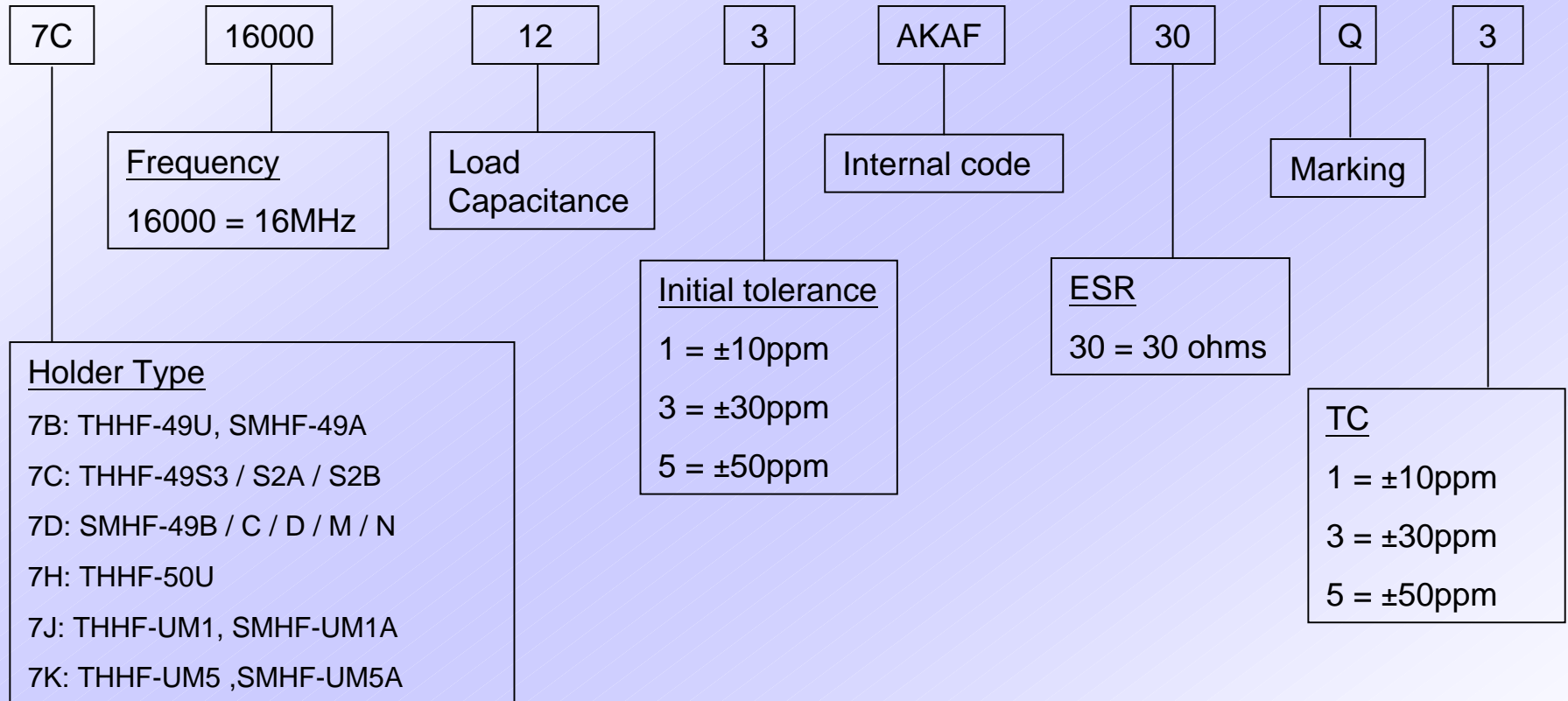
MHz Range SMD Crystal Resonators





Part Number Identification

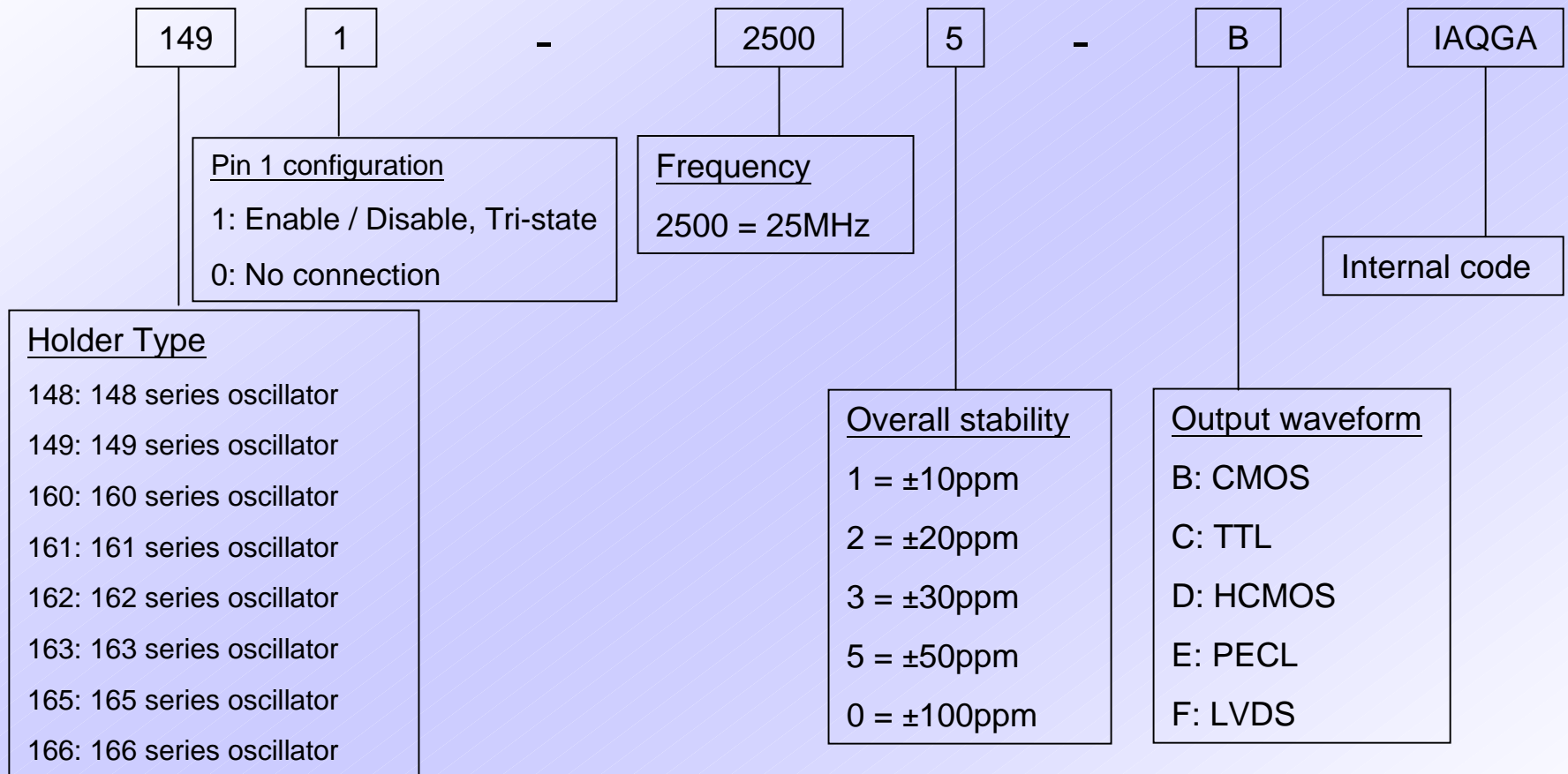
MHz Range Crystal Resonators (Through hole and SMD)





Part Number Identification

Crystal Oscillators



* Above part number descriptions are only for reference. It is recommended that all part numbers should be provided by Interquip personnel.

** The part number system is subjected to change without notice.

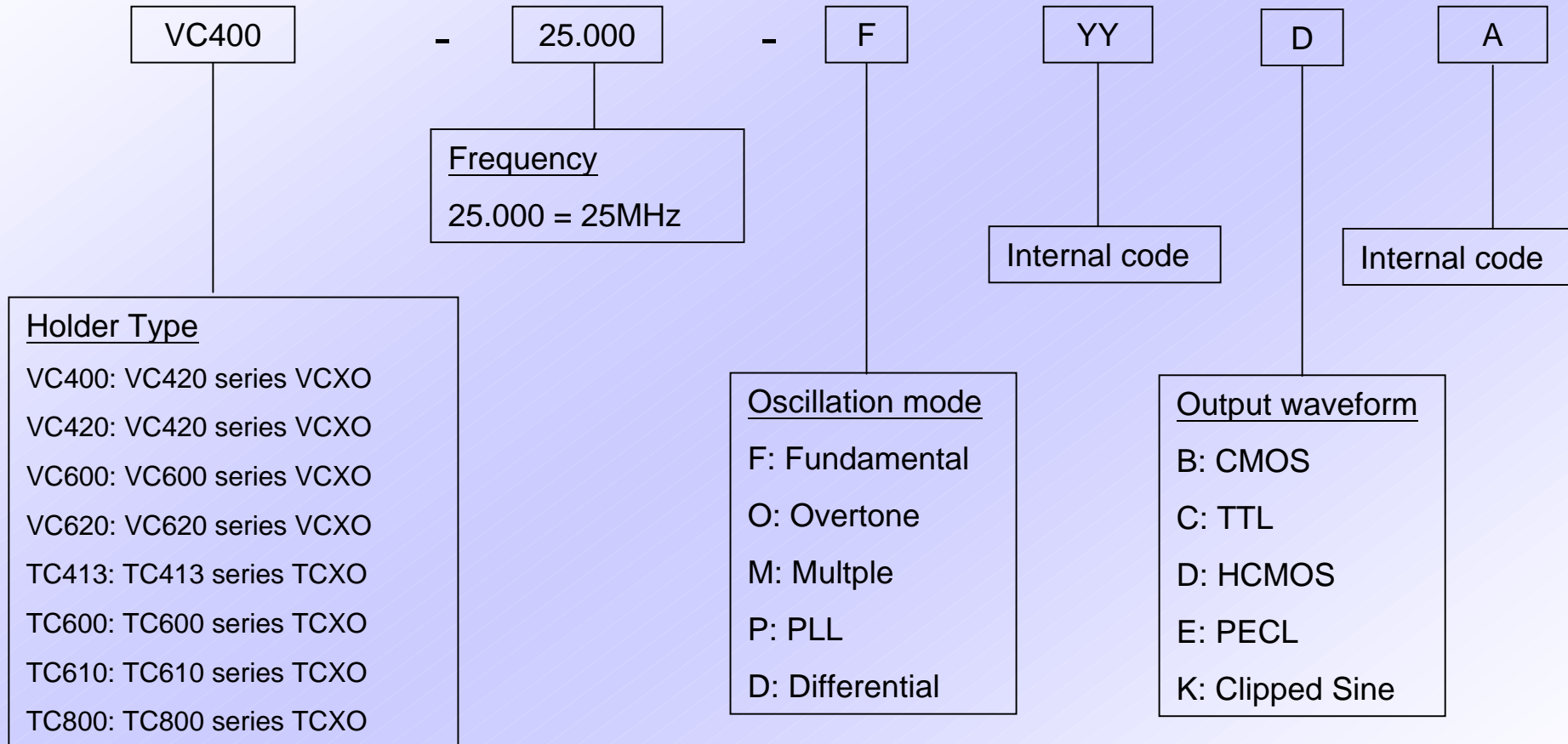
Organized for Quality

Dedicated to Service



Part Number Identification

Crystal Oscillators (VCXO & TCXO)



* For OCXO part numbers, please consult Interquip personnel for assistant.

** Above part number descriptions are only for reference. It is recommended that all part numbers should be provided by Interquip personnel.

*** The part number system is subjected to change without notice.

Organized for Quality

Dedicated to Service