

SMD 4.9x1.8mm Tuning Fork



Model: FX255

RoHS Compliant / pB Free

Rev. 6/6/2006

Page 1 of 2

http://www.foxonline.com/need_a_sample.htm



FEATURES

- Miniature Package
- 1.0mm Height
- Long Term Stability
- Tape and Reel (3,000 pcs. STD)

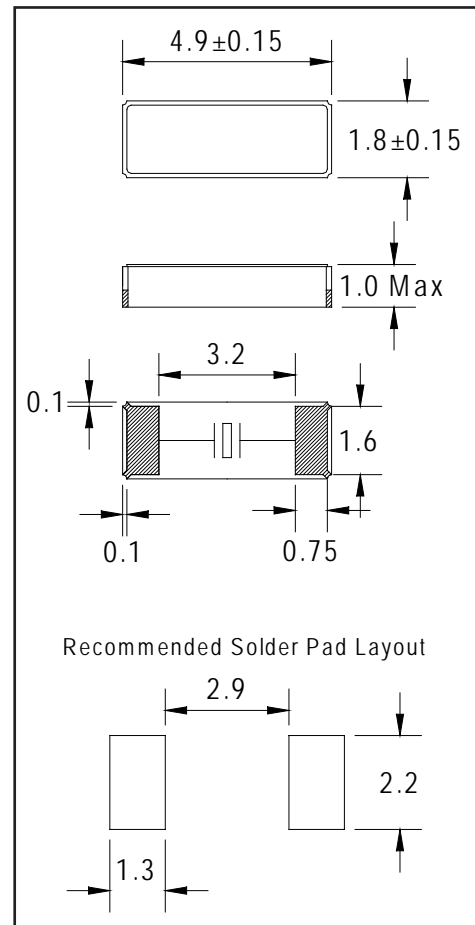
• PART NUMBER [Learn More](#) - Internet Required

Part Number	Model Number	Frequency Stability	Operating Temperature	Frequency
741-Frequency-xxxxx	FX255	See table	-40 °C ~ +85 °C	32.768 kHz

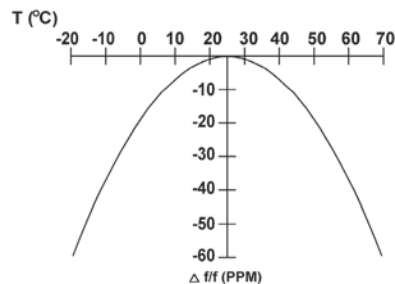
• STANDARD SPECIFICATIONS

PARAMETERS	MAX (unless otherwise noted)
Frequency	32.768 kHz
Frequency Tolerance @ 25°C	±20 PPM
Frequency Stability Temperature Coefficient	-0.04 PPM / (Δ°C) ²
Temperature Range	
Turnover (TO)	+20°C ~ +30°C
Operating (TOPR)	-40°C ~ +85°C
Storage (TSTG)	-55°C ~ +125°C
Equivalent Series Resistance (RS)	70 kΩ
Load Capacitance (CL)	12.5 pF (Standard)
Insulation Resistance @ 100VDC	500 MΩ Min
Drive Level	1.0 μW 0.1 μW Typ.
Aging per year	±3 PPM
Maximum Soldering Temp / Time	260°C / 10 Seconds
Moisture Sensitivity Level	1
Termination Finish	Ni/Au

All specifications subject to change without notice.



Parabolic Temperature Curve



To determine frequency stability, use parabolic curvature (K).
For example: What is stability at 45°C?

- 1) Change in T (°C) = 45-25 = 20°C
- 2) Change in frequency = -0.04 PPM * (Δ C)²
= -0.04 PPM * (20)²
= -16.0 PPM

SMD 4.9x1.8mm Tuning Fork



Model: FX255

RoHS Compliant / pB Free

Rev. 6/6/2006

Page 2 of 2

http://www.foxonline.com/need_a_sample.htm



• TAPE SPECIFICATIONS (millimeters)

MODEL	A	B	C	D	E	F	STD Reel QTY
FX255	∅1.5	4.0	8.0	5.5	12.0	0.8	3,000

• REEL SPECIFICATIONS (millimeters)

MODEL	G	H	I	J	K	L	M
FX255	2.0	∅13	∅21	∅60	∅180	13.0	2.0

