

## Resistor Programmable Temperature Switches

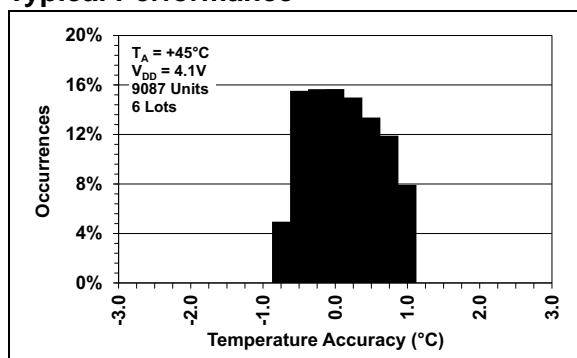
### Features

- Resistor Programmable Temperature Switch
- Wide Operating Voltage Range: 2.7V to 5.5V
- Low Supply Current: 30  $\mu$ A (typical)
- Qualification: AEC-Q100 Rev. G, Grade 1 (-40°C to +125°C)
- Temperature Switch Accuracy:
  - $\pm 0.5^\circ\text{C}$  (typical) at +25°C, +45°C
  - $\pm 1^\circ\text{C}$  (typical) between 0°C to +70°C
  - $\pm 3.5^\circ\text{C}$  (maximum) between 0°C to +125°C
  - $\pm 4.5^\circ\text{C}$  (maximum) between -20°C to +125°C
  - $\pm 2^\circ\text{C}$  (typical) between -40°C to +125°C
- Sensor Options Available:
  - Switch for rising temperature: Cold to Hot (H)
  - Switch for falling temperature: Hot to Cold (C)
- Output Configurations:
  - Open-drain:
    - External pull-up resistor: MCP9509
    - Internal pull-up resistor: MCP9510
  - Active-low, push-pull: MCP9510
  - Active-high, push-pull: MCP9510
- User-Selectable Hysteresis: +2°C or +10°C (typical)
- Space-Saving 5-Lead SOT-23 and 6-Lead SOT-23 Packages

### Applications

- Power Supply Thermal Shutdown
- Temperature Alarm
- Thermostat Control
- Fan Control
- Base Stations
- Automotive

### Typical Performance

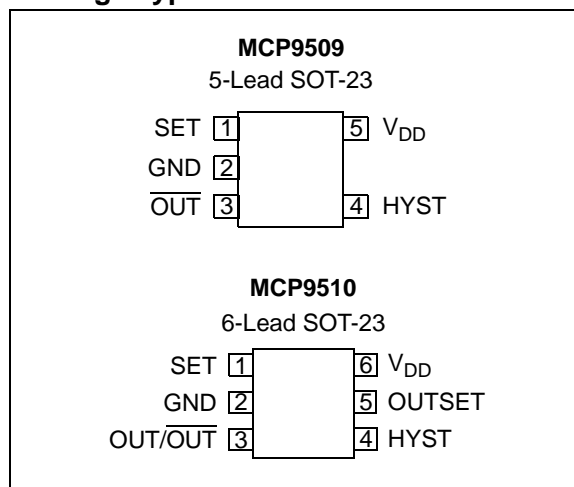


### Description

Microchip Technology's MCP9509/10 devices are programmable logic output temperature switches. The temperature switch threshold can be programmed with a single external resistor, which provides high design flexibility and simplicity. In addition, this family of devices provides user-programmable features, such as +2°C and +10°C (typical) switch hysteresis, and output structure configuration. The MCP9509 provides an open-drain output, whereas the MCP9510 is offered in three different user-selectable output configurations: active-low push-pull, active-high push-pull and active-low open-drain output with an internal 100 k $\Omega$  pull-up resistor.

The MCP9509/10 devices operate from 2.7V to 5.5V. This family is capable of triggering for temperatures from -40°C to +125°C with high accuracy.

### Package Types



# MCP9509/10

---

NOTES:

## 1.0 ELECTRICAL CHARACTERISTICS

### Absolute Maximum Ratings†

V <sub>DD</sub> .....	6.0V
Voltage on All Input/Output Pins – GND .....	0.3V to 6.0V
Input/Output Current .....	20 mA
Storage Temperature .....	-65°C to +150°C
Ambient Temperature with Power Applied .....	-40°C to +125°C
Junction Temperature (T <sub>J</sub> ) .....	+150°C
ESD Protection on all pins:	
HBM.....	4 kV
MM.....	400V
Latch-up Current at Each Pin (+25°C) .....	±200 mA

† **Notice:** Stresses above those listed under “Maximum Ratings” may cause permanent damage to the device. This is a stress rating only and functional operation of the device at those or any other conditions above those indicated in the operational listings of this specification is not implied. Exposure to maximum rating conditions for extended periods may affect device reliability.

### DC CHARACTERISTICS

Electrical Specifications: Unless otherwise indicated, V <sub>DD</sub> = 2.7V to 5.5V, T <sub>A</sub> = -40°C to +125°C, GND = Ground.						
Parameters	Symbol	Min.	Typ.	Max.	Unit	Conditions
Sensor Accuracy	T <sub>ACY</sub> (Note 1)	—	±0.5	—	°C	T <sub>A</sub> = +25°C, +45°C
		-3.5	±1	+3.5	°C	0°C ≤ T <sub>A</sub> ≤ +125°C
		-4.5	±1	+4.5	°C	-20°C ≤ T <sub>A</sub> ≤ +125°C
		—	±2	—	°C	-40°C ≤ T <sub>A</sub> ≤ +125°C
<b>Power Supply</b>						
Operating Voltage	V <sub>DD</sub>	2.7	—	5.5	V	
Operating Current (MCP9509)	I <sub>DD</sub>	—	30	50	µA	
Operating Current (MCP9510)	I <sub>DD</sub>	—	50	80	µA	OUTSET = GND or V <sub>DD</sub>
		—	100	165	µA	OUTSET = Unconnected
<b>Hysteresis</b>						
Trip Point Hysteresis	T <sub>HYST</sub>	—	+2	—	°C	HYST = GND
		—	+10	—	°C	HYST = V <sub>DD</sub>
Hysteresis Select: Input (HYST) Thresholds	V <sub>IH</sub>	V <sub>DD</sub> - 0.4	—	—	V	
	V <sub>IL</sub>	—	—	0.4	V	
Hysteresis Input (HYST) Leakage	I <sub>LEAK</sub>	—	1	—	µA	
<b>MCP9510 Output Control Input (OUTSET Input)</b>						
OUTSET Input Voltage Threshold and Output Configuration						
Push-Pull, Active-Low	V <sub>OSET</sub>	GND	—	0.2 V <sub>DD</sub>	V	
Open-Drain with R <sub>OUT</sub> , Active-Low		0.45 V <sub>DD</sub>	—	0.7 V <sub>DD</sub>	V	or OUTSET is unconnected
Push-Pull, Active-High		0.85 V <sub>DD</sub>	—	V <sub>DD</sub>	V	

**Note 1:** This specification is tested at a mid-supply of 4.1V for optimum operation across the supply voltage range of 2.7V to 5.5V.

# MCP9509/10

## DC CHARACTERISTICS (CONTINUED)

Electrical Specifications: Unless otherwise indicated, $V_{DD} = 2.7V$ to $5.5V$ , $T_A = -40^{\circ}C$ to $+125^{\circ}C$ , GND = Ground.						
Parameters	Symbol	Min.	Typ.	Max.	Unit	Conditions
OUTSET Input Leakage and Output Configuration						
Push-Pull, Active-Low	$I_{LEAK}$	—	10	—	$\mu A$	$GND \leq V_{OSET} \leq 0.2 V_{DD}$
Open-Drain, Active-Low		—	0	—	$\mu A$	Unconnected (i.e., open)
		—	7	—	$\mu A$	$0.4 V_{DD} \leq V_{OSET} \leq 0.7 V_{DD}$
Push-Pull, Active-High		—	-10	—	$\mu A$	$0.85 \leq V_{OSET} \leq V_{DD}$
OUTSET Input Impedance	$Z_{OUTSET}$	—	500	—	$k\Omega$	
<b>Outputs (OUT, <math>\overline{OUT}</math>)</b>						
Output Voltage High (MCP9510)	$V_{OH}$	$V_{DD} - 0.55$	—	$V_{DD}$	V	$I_{OUT} = 5\text{ mA}$ $OUTSET = V_{DD}$ or GND
Output Voltage Low (MCP9510)	$V_{OL}$	GND	—	0.3	V	
Output Voltage Low (MCP9509)	$V_{OL}$	GND	—	0.3	V	$I_{OUT} = 5\text{ mA}$
Internal Output Pull-up (MCP9510)	$R_{OUT}$	60	100	140	$k\Omega$	OUTSET is unconnected
Open-Drain Output Leakage (MCP9509/10)	$I_{LEAK}$	—	1	—	$\mu A$	
Power Supply Rejection	PSR	—	0.05	—	$^{\circ}C/V$	
<b>Thermal Response</b>						
Response Time to Thermal Shock: SOT23-5, SOT23-6	$T_{RES}$	—	1.7	—	s	Time to 63% (+88 $^{\circ}C$ ); +25 $^{\circ}C$ (air) to +125 $^{\circ}C$ (oil bath)

**Note 1:** This specification is tested at a mid-supply of 4.1V for optimum operation across the supply voltage range of 2.7V to 5.5V.

## TEMPERATURE CHARACTERISTICS

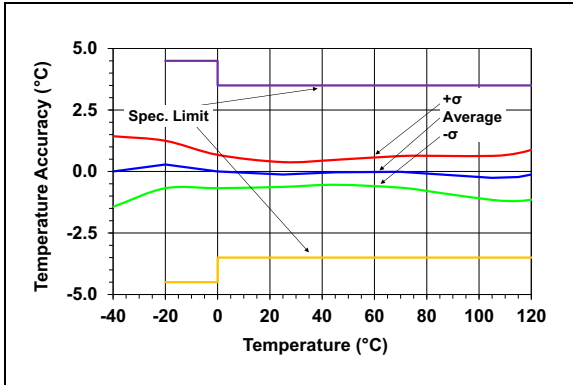
Electrical Specifications: Unless otherwise indicated, $V_{DD} = 2.7V$ to $5.5V$ , $T_A = -40^{\circ}C$ to $+125^{\circ}C$ , GND = Ground.						
Parameters	Symbol	Min.	Typ.	Max.	Units	Conditions
<b>Temperature Ranges</b>						
Specified Temperature Range	$T_A$	-40	—	+125	$^{\circ}C$	(Note 1)
Operating Temperature Range	$T_A$	-40	—	+125	$^{\circ}C$	
Storage Temperature Range	$T_A$	-65	—	+150	$^{\circ}C$	
<b>Thermal Package Resistances</b>						
Thermal Resistance (MCP9509)	$\theta_{JA}$	—	220.7	—	$^{\circ}C/W$	
Thermal Resistance (MCP9510)	$\theta_{JA}$	—	190.5	—	$^{\circ}C/W$	

**Note 1:** Operation in this range must not cause  $T_J$  to exceed the Maximum Junction Temperature (+150 $^{\circ}C$ ).

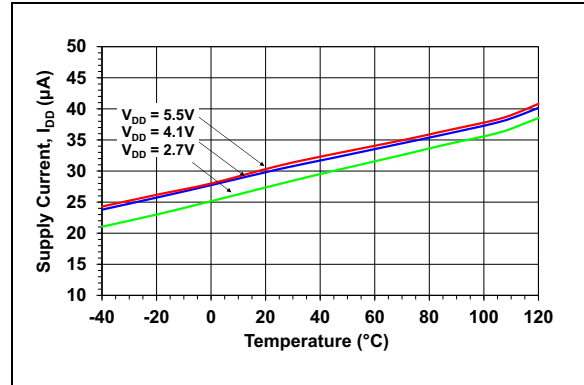
## 2.0 TYPICAL PERFORMANCE CURVES

**Note:** The graphs and tables provided following this note are a statistical summary based on a limited number of samples and are provided for informational purposes only. The performance characteristics listed herein are not tested or guaranteed. In some graphs or tables, the data presented may be outside the specified operating range (e.g., outside specified power supply range) and therefore outside the warranted range.

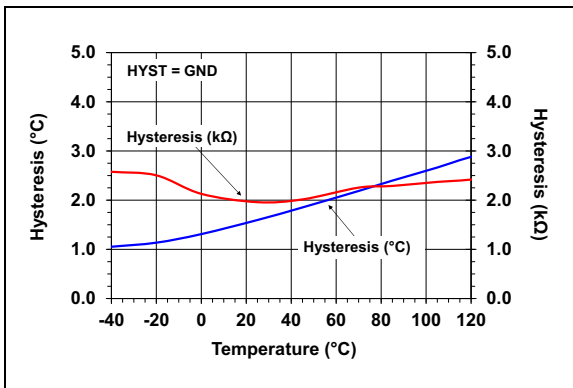
**Note:** Unless otherwise indicated,  $V_{DD} = 2.7V$  to  $5.5V$ ,  $T_A = -40^{\circ}C$  to  $+125^{\circ}C$ , GND = Ground,  $R_{PULL-UP} = 10\text{ k}\Omega$  (MCP9509 only) and  $0.1\text{ }\mu\text{F}$  bypass capacitor.



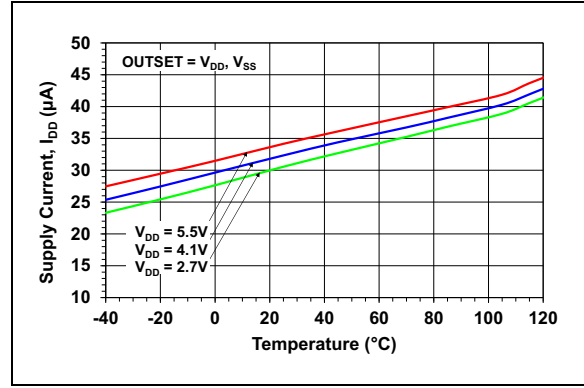
**FIGURE 2-1:** Temperature Accuracy (MCP9509CT, MCP9509HT, MCP9510CT and MCP9510HT).



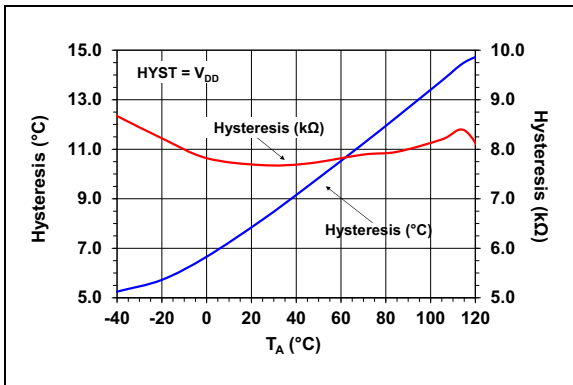
**FIGURE 2-4:** Supply Current vs. Temperature (MCP9509CT, MCP9509HT).



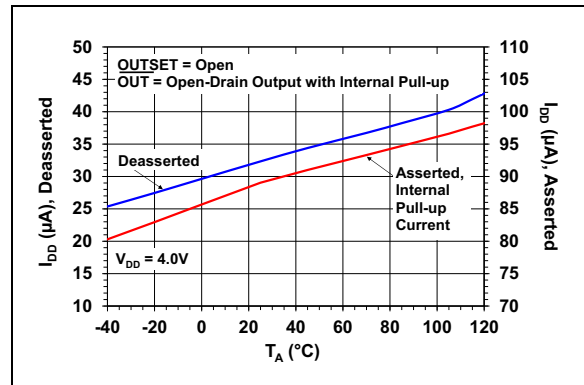
**FIGURE 2-2:** Output Hysteresis vs. Temperature.



**FIGURE 2-5:** Supply Current vs. Temperature (MCP9510CT, MCP9510HT).



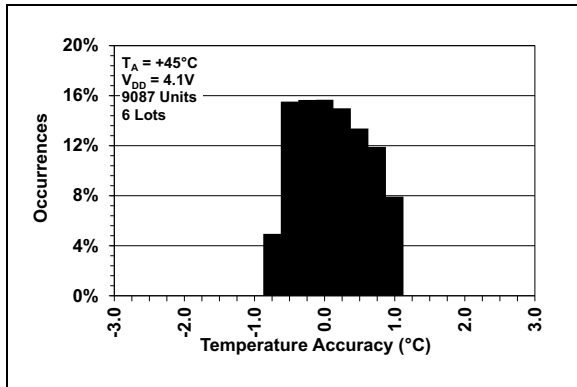
**FIGURE 2-3:** Output Hysteresis vs. Temperature.



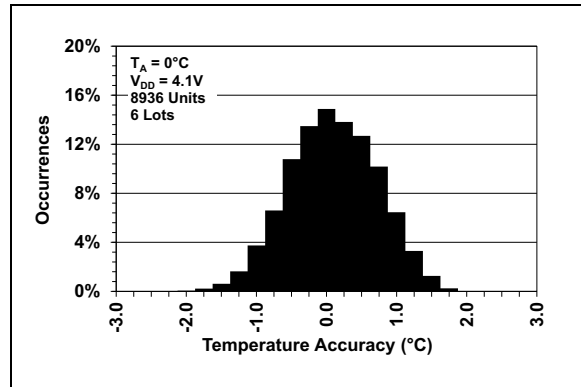
**FIGURE 2-6:** Supply Current vs. Temperature (MCP9510CT, MCP9510HT).

# MCP9509/10

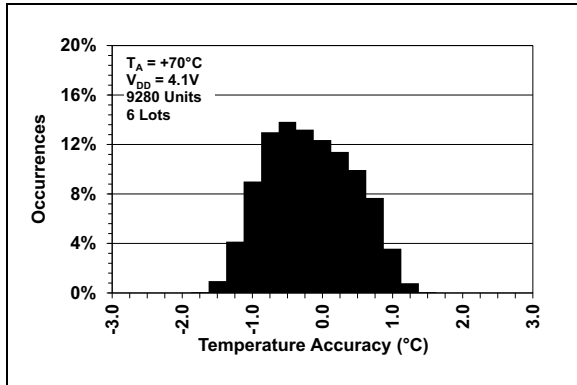
**Note:** Unless otherwise indicated,  $V_{DD} = 2.7V$  to  $5.5V$ ,  $T_A = -40^{\circ}C$  to  $+125^{\circ}C$ , GND = Ground,  $R_{PULL-UP} = 10\ k\Omega$  (MCP9509 only) and  $0.1\ \mu F$  bypass capacitor.



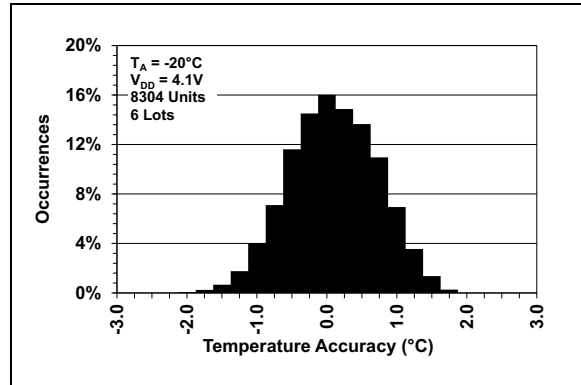
**FIGURE 2-7:** Temperature Accuracy Histogram at  $+45^{\circ}C$ .



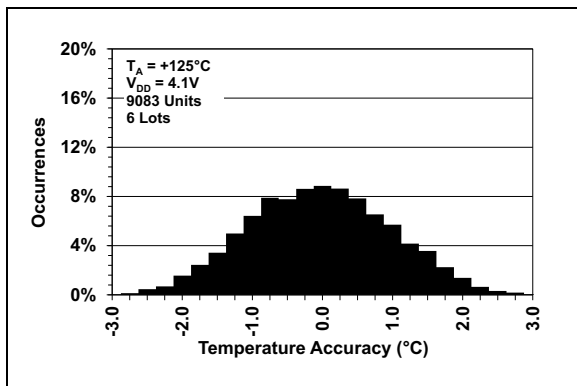
**FIGURE 2-10:** Temperature Accuracy Histogram at  $0^{\circ}C$ .



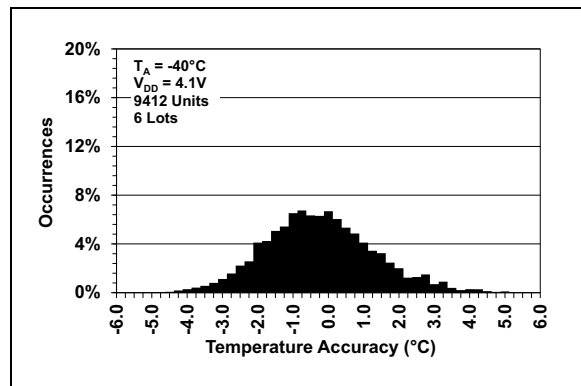
**FIGURE 2-8:** Temperature Accuracy Histogram at  $+70^{\circ}C$ .



**FIGURE 2-11:** Temperature Accuracy Histogram at  $-20^{\circ}C$ .

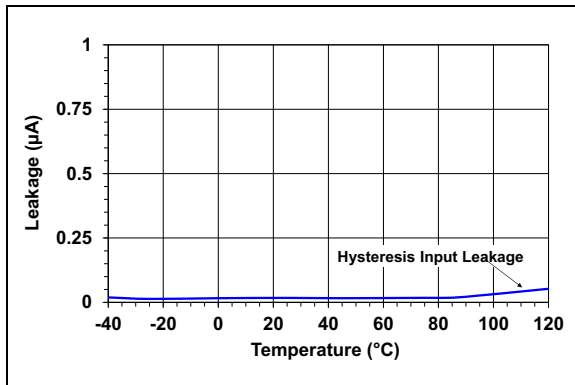


**FIGURE 2-9:** Temperature Accuracy Histogram at  $+125^{\circ}C$ .

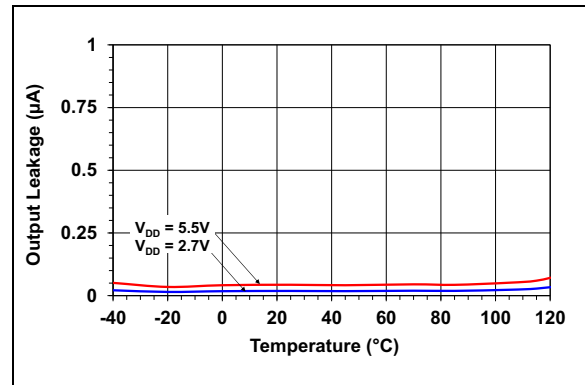


**FIGURE 2-12:** Temperature Accuracy Histogram at  $-40^{\circ}C$ .

**Note:** Unless otherwise indicated,  $V_{DD} = 2.7V$  to  $5.5V$ ,  $T_A = -40^{\circ}C$  to  $+125^{\circ}C$ ,  $GND = Ground$ ,  $R_{PULL-UP} = 10\ k\Omega$  (MCP9509 only) and  $0.1\ \mu F$  bypass capacitor.



**FIGURE 2-13:** Hysteresis Input Leakage vs. Temperature.



**FIGURE 2-14:** Output Leakage (MCP9509) vs. Temperature.

# MCP9509/10

---

NOTES:



## 3.0 PIN DESCRIPTION

The description of the pins is listed in [Table 3-1](#).

**TABLE 3-1: PIN FUNCTION TABLE**

MCP9509	MCP9510	Symbol	Description
5-LD SOT-23	6-LD SOT-23		
1	1	SET	External Trip Temperature Resistor ( $R_{SET}$ ) Input Pin
2	2	GND	Ground Pin
3	—	$\overline{OUT}$	Open-Drain Output Pin
—	3	OUT/ $\overline{OUT}$	Selectable Output Pin (function set by OUTSET pin)
4	4	HYS	Hysteresis Input Pin HYS = GND, Hysteresis is +2°C HYS = $V_{DD}$ , Hysteresis is +10°C
5	6	$V_{DD}$	Power Pin
—	5	OUTSET	Output Control Pin OUTSET = GND, Active-Low, Push-Pull OUTSET = $V_{DD}$ , Active-High, Push-Pull OUTSET = Unconnected, Active-Low, Open-Drain with an Internal Pull-up

### 3.1 External Resistor Input Pin (SET)

This pin is used to connect a resistor between the SET and GND pins to select the temperature trip point ( $T_{SET}$ ). The resistor value can be determined either from [Equation 4-2](#) or the look-up table shown in [Table 4-2](#).

### 3.2 Ground Pin (GND)

The GND pin is the system ground pin.

### 3.3 Open-Drain Output Pin ( $\overline{OUT}$ ) (MCP9509)

This output is triggered when the temperature exceeds the programmed trip temperature. This pin requires a pull-up resistor.

### 3.4 Selectable Output Pin (OUT, $\overline{OUT}$ ) (MCP9510)

The OUTPUT pin can be configured as either a push-pull active-high, push-pull active-low or an open-drain output with an internal pull-up resistor. The three output options of the MCP9510 are selected by the OUTSET pin.

### 3.5 Hysteresis Input Pin (HYS)

This is an input pin which can be connected to  $V_{DD}$  or GND to select the output hysteresis. Either +2°C (HYS = GND) or +10°C (HYS =  $V_{DD}$ ) of hysteresis can be selected.

### 3.6 Power Pin ( $V_{DD}$ )

The operating voltage range, as specified in the [DC Characteristics](#), is applied on this pin.

### 3.7 Output Control Pin (OUTSET) (MCP9510)

The OUTSET pin is used to select the desired configuration of the OUT or  $\overline{OUT}$  pin.

**TABLE 3-2: OUTSET SELECTABLE OUTPUTS**

OUTSET Pin	OUT/ $\overline{OUT}$ Pin
GND	Push-Pull, Active-Low
$V_{DD}$	Push-Pull, Active-High
Unconnected (i.e., open)	Open-Drain Output with an Internal Pull-up Resistor of 100 k $\Omega$ (typical)

# MCP9509/10

---

NOTES:

## 4.0 FUNCTIONAL DESCRIPTION

The MCP9509/10 integrates a temperature switch with a user-programmable threshold. The temperature switch threshold or alert limit is programmed using an external resistor,  $R_{SET}$ . A logic signal is asserted when the die temperature crosses the programmed alert limit. The MCP9509 has an open-drain output which requires an external pull-up resistor for operation. The MCP9510 output can be configured to three user-selectable output configurations. The OUTSET pin is used to select active-low push-pull, active-low open-drain (with internal 100 k $\Omega$  pull-up resistor) and active-high push-pull output configurations. In addition, this device provides a user-selectable hysteresis of +2°C and +10°C (typical).

### 4.1 SET Input Pin

The SET input pin is used to connect an external resistor,  $R_{SET}$ . The resistor sets the alert threshold. The SET pin outputs a constant current,  $I_{SET}$  (~5  $\mu$ A), to bias  $R_{SET}$  (Figure 4-1). The voltage across  $R_{SET}$  and  $V_{SET}$  is compared to an internal thermal diode.

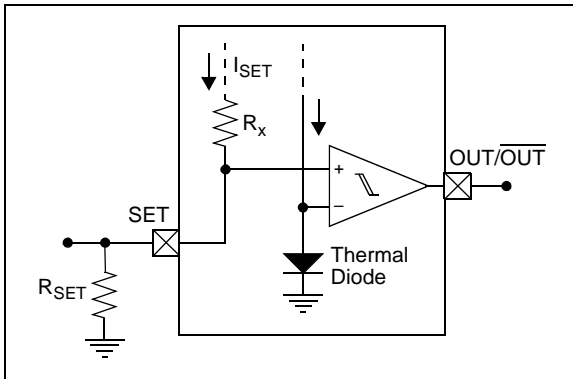


FIGURE 4-1: SET Input.

When the thermal diode voltage exceeds  $V_{SET}$ , the sensor output asserts. The assert polarity is determined by the state of the OUTSET pin.

### 4.2 OUTSET Input Pin (MCP9510)

This pin is used to select the device output configuration. This feature enables in-circuit device output configuration by driving this pin with a microcontroller I/O pin to Output-HIGH, Output-LOW or as a High-Impedance input. Figure 4-4 shows the configuration and output conditions.

The input structure of this pin consists of a resistor ladder and comparators to determine the OUTSET level threshold. Figure 4-2 shows the circuit configuration. The OUTSET input resistance must be carefully considered for leakage current when connecting the voltage source to change the output configuration.

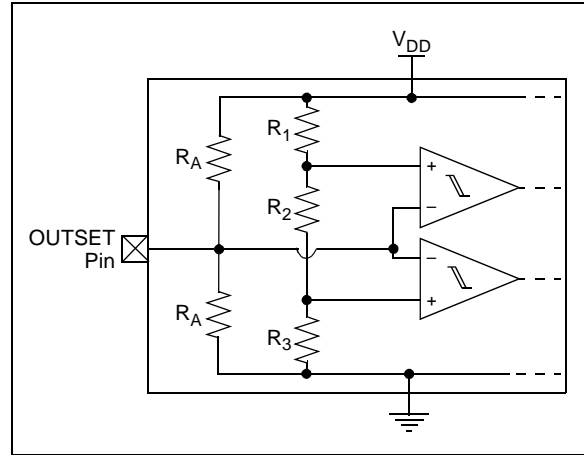


FIGURE 4-2: OUTSET Input Structure (MCP9510).

The OUTSET pin input impedance,  $Z_{OUTSET}$ , is set by the internal resistance,  $R_A = 1$  M $\Omega$  (typical). The input structure is a voltage divider network from  $V_{DD}$ . Therefore, the leakage current on the OUTSET pin is a function of change in  $V_{DD}$  and the  $V_{OUTSET}$ .

### 4.3 HYST Input Pin (Hysteresis Select)

The MCP9509/10 family has a user-selectable hysteresis input pin, HYST. Hysteresis can be externally selected to either +2°C (HYST = GND) or +10°C (HYST =  $V_{DD}$ ). Figure 4-3 shows graphical description of change in hysteresis.

For example, if the alert temperature threshold is set to  $T_{SET} = +100^\circ\text{C}$  ( $R_{SET} = 16.1$  k $\Omega$ ) with an active-low output configuration, the output asserts low when the temperature exceeds  $+100^\circ\text{C} \pm T_{AC}$ . The output remains asserted low until the temperature falls below  $T_{HYST}$ , +98°C (HYST = GND) or +90°C (HYST =  $V_{DD}$ ).

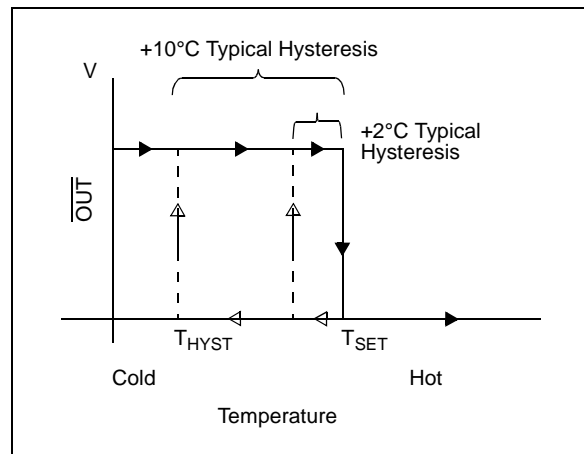


FIGURE 4-3: Output Hysteresis.

# MCP9509/10

## 4.4 Sensor Hot/Cold Options

MCP9509/10 devices are available with Hot (H) and Cold (C) options. The MCP9509/10 Hot option detects rising temperature while the Cold option detects falling temperature. The output of the Hot option asserts when temperature rises above  $T_{SET}$  and deasserts when temperature falls below  $T_{HYST}$ . The output of the Cold option asserts when temperature falls below  $T_{SET}$  and deasserts when temperature rises above  $T_{HYST}$ .

For example, if  $T_{SET} = +100^{\circ}\text{C}$  for the Hot option (active-low configuration,  $HYST = V_{DD}$ ), the output asserts low when the temperature is greater than  $+100^{\circ}\text{C} \pm T_{ACY}$ . The output deasserts high when the temperature is below  $+90^{\circ}\text{C}$ . For the Cold option, the output asserts low when the temperature is less than  $+100^{\circ}\text{C} \pm T_{ACY}$  and deasserts when the temperature is greater than  $+110^{\circ}\text{C}$ . This operation is shown graphically in [Figure 4-4](#).

## 4.5 $R_{SET}$ vs. Temperature

The relationship between the user-selectable external resistor,  $R_{SET}$ , and the output trigger threshold limit,  $T_{SET}$ , is described as shown in [Equation 4-1](#) and [Equation 4-2](#). The equation coefficients vary depending on the device output options, H or C. [Table 4-1](#) shows the corresponding coefficients.

**TABLE 4-1: COEFFICIENTS/VARIABLES**

Coef.	MCP9509/10HT	MCP9509/10CT	Units
$C_{R1}$	-9.84	-10.00	$10^{-6} \text{ k}\Omega/^{\circ}\text{C}^3$
$C_{R2}$	3.355	3.345	$10^{-3} \text{ k}\Omega/^{\circ}\text{C}^2$
$C_{R3}$	-0.8648	-0.8610	$\text{k}\Omega/^{\circ}\text{C}$
$C_{T1}$	-20.00	-19.7	$10^{-6} \text{ }^{\circ}\text{C}/\text{k}\Omega^3$
$C_{T2}$	4.136	4.179	$10^{-3} \text{ }^{\circ}\text{C}/\text{k}\Omega^2$
$C_{T3}$	-1.1564	-1.1617	$^{\circ}\text{C}/\text{k}\Omega$
$R_1$	94.1	95.1	$\text{k}\Omega$
$R_2$	145.5	146.3	$\text{k}\Omega$
$R_3$	2.77	4.25	$\text{k}\Omega$
$T_1$	-40.0		$^{\circ}\text{C}$
$T_2$	125.0		$^{\circ}\text{C}$

### EQUATION 4-1: $T_{SET}$ TO $R_{SET}$ CONVERSION

$$R_{SET} = C_{R1}T_{SET}(T_{SET}-T_1)(T_{SET}-T_2) + C_{R2}(T_{SET}-T_1)(T_{SET}-T_2) + C_{R3}(T_{SET}-T_1) + R_2$$

Where:

$$C_{R1,2,3} = \text{1}^{\text{st}}, \text{2}^{\text{nd}} \text{ and } \text{3}^{\text{rd}} \text{ Order Temperature to Resistance Conversion Coefficients (Table 4-1)}$$

$$R_2 = \text{Resistance (Table 4-1)}$$

$$T_{1,2} = \text{Temperature (Table 4-1)}$$

### EQUATION 4-2: $R_{SET}$ TO $T_{SET}$ CONVERSION

$$T_{SET} = C_{T1}(R_{SET}-R_1)(R_{SET}-R_2)(R_{SET}-R_3) + C_{T2}(R_{SET}-R_3)(R_{SET}-R_2) + C_{T3}(R_{SET}-R_2) + T_1$$

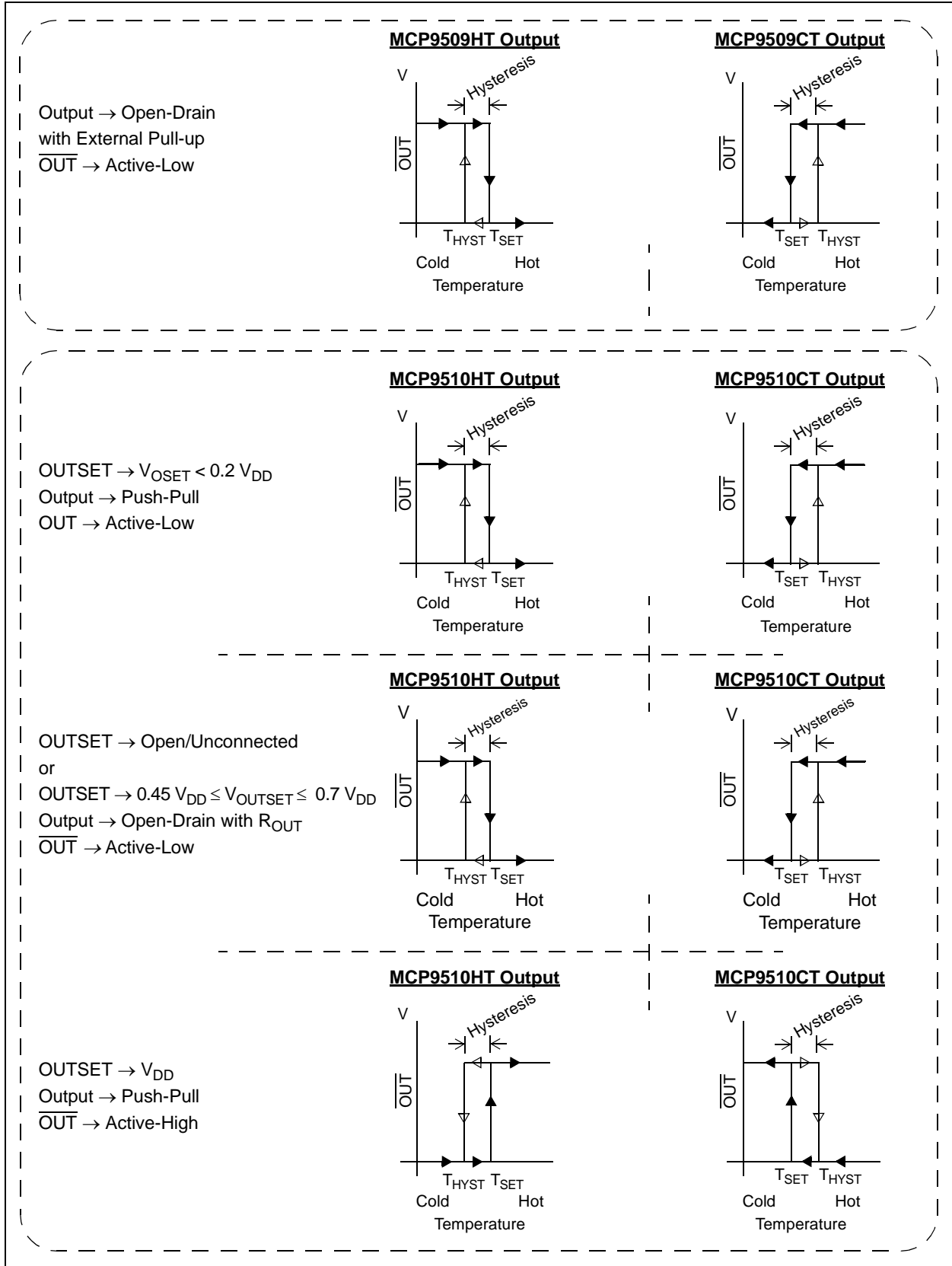
Where:

$$C_{T1,2,3} = \text{1}^{\text{st}}, \text{2}^{\text{nd}} \text{ and } \text{3}^{\text{rd}} \text{ Order Resistance to Temperature Conversion Coefficients (Table 4-1)}$$

$$R_{1,2,3} = \text{Resistance (Table 4-1)}$$

$$T_1 = \text{Temperature (Table 4-1)}$$

The equations can be used to determine the external resistance value for a specified temperature threshold or threshold value for a specified resistance. [Table 4-2](#) and [Table 4-3](#) show a look-up table which can be used to easily identify the  $T_{SET}$  to  $R_{SET}$  relationship for Hot and Cold options.



**FIGURE 4-4:** MCP9509/10  $\overline{\text{OUT}}/\text{OUT}$  Output Configuration.

# MCP9509/10

**TABLE 4-2: T<sub>SET</sub> TO R<sub>SET</sub> CONVERSION TABLE FOR MCP9509/MCP9510HT (HOT)**

T <sub>SET</sub> (°C)	R <sub>SET</sub> (kΩ)	T <sub>SET</sub> (°C)	R <sub>SET</sub> (kΩ)	T <sub>SET</sub> (°C)	R <sub>SET</sub> (kΩ)	T <sub>SET</sub> (°C)	R <sub>SET</sub> (kΩ)	T <sub>SET</sub> (°C)	R <sub>SET</sub> (kΩ)	T <sub>SET</sub> (°C)	R <sub>SET</sub> (kΩ)	T <sub>SET</sub> (°C)	R <sub>SET</sub> (kΩ)	T <sub>SET</sub> (°C)	R <sub>SET</sub> (kΩ)	T <sub>SET</sub> (°C)	R <sub>SET</sub> (kΩ)
-40.0	145.5	-20.0	117.9	0.0	94.1	+20.0	73.7	+40.0	56.2	+60.0	41.1	+80.0	27.9	+100.0	16.1	+120.0	5.4
-39.5	144.8	-19.5	117.3	+0.5	93.6	+20.5	73.2	+40.5	55.8	+60.5	40.7	+80.5	27.5	+100.5	15.9	+120.5	5.1
-39.0	144.0	-19.0	116.6	+1.0	93.0	+21.0	72.8	+41.0	55.4	+61.0	40.3	+81.0	27.2	+101.0	15.6	+121.0	4.9
-38.5	143.3	-18.5	116.0	+1.5	92.5	+21.5	72.3	+41.5	55.0	+61.5	40.0	+81.5	26.9	+101.5	15.3	+121.5	4.6
-38.0	142.6	-18.0	115.4	+2.0	91.9	+22.0	71.8	+42.0	54.6	+62.0	39.7	+82.0	26.6	+102.0	15.0	+122.0	4.4
-37.5	141.8	-17.5	114.7	+2.5	91.4	+22.5	71.4	+42.5	54.2	+62.5	39.3	+82.5	26.3	+102.5	14.7	+122.5	4.1
-37.0	141.1	-17.0	114.1	+3.0	90.9	+23.0	70.9	+43.0	53.8	+63.0	39.0	+83.0	26.0	+103.0	14.5	+123.0	3.8
-36.5	140.4	-16.5	113.5	+3.5	90.3	+23.5	70.5	+43.5	53.4	+63.5	38.6	+83.5	25.7	+103.5	14.2	+123.5	3.6
-36.0	139.7	-16.0	112.9	+4.0	89.8	+24.0	70.0	+44.0	53.0	+64.0	38.3	+84.0	25.4	+104.0	13.9	+124.0	3.3
-35.5	138.9	-15.5	112.2	+4.5	89.3	+24.5	69.5	+44.5	52.6	+64.5	37.9	+84.5	25.1	+104.5	13.6	+124.5	3.1
-35.0	138.2	-15.0	111.6	+5.0	88.7	+25.0	69.1	+45.0	52.2	+65.0	37.6	+85.0	24.8	+105.0	13.4	+125.0	2.8
-34.5	137.5	-14.5	111.0	+5.5	88.2	+25.5	68.6	+45.5	51.8	+65.5	37.2	+85.5	24.5	+105.5	13.1		
-34.0	136.8	-14.0	110.4	+6.0	87.7	+26.0	68.2	+46.0	51.4	+66.0	36.9	+86.0	24.2	+106.0	12.8		
-33.5	136.1	-13.5	109.8	+6.5	87.2	+26.5	67.7	+46.5	51.0	+66.5	36.6	+86.5	23.9	+106.5	12.6		
-33.0	135.4	-13.0	109.2	+7.0	86.6	+27.0	67.3	+47.0	50.6	+67.0	36.2	+87.0	23.6	+107.0	12.3		
-32.5	134.7	-12.5	108.6	+7.5	86.1	+27.5	66.8	+47.5	50.2	+67.5	35.9	+87.5	23.3	+107.5	12.0		
-32.0	134.0	-12.0	108.0	+8.0	85.6	+28.0	66.4	+48.0	49.9	+68.0	35.6	+88.0	23.0	+108.0	11.7		
-31.5	133.3	-11.5	107.4	+8.5	85.1	+28.5	65.9	+48.5	49.5	+68.5	35.2	+88.5	22.7	+108.5	11.5		
-31.0	132.6	-11.0	106.8	+9.0	84.6	+29.0	65.5	+49.0	49.1	+69.0	34.9	+89.0	22.4	+109.0	11.2		
-30.5	131.9	-10.5	106.2	+9.5	84.0	+29.5	65.1	+49.5	48.7	+69.5	34.6	+89.5	22.1	+109.5	10.9		
-30.0	131.2	-10.0	105.6	+10.0	83.5	+30.0	64.6	+50.0	48.3	+70.0	34.2	+90.0	21.8	+110.0	10.7		
-29.5	130.5	-9.5	105.0	+10.5	83.0	+30.5	64.2	+50.5	48.0	+70.5	33.9	+90.5	21.5	+110.5	10.4		
-29.0	129.8	-9.0	104.4	+11.0	82.5	+31.0	63.7	+51.0	47.6	+71.0	33.6	+91.0	21.3	+111.0	10.1		
-28.5	129.1	-8.5	103.8	+11.5	82.0	+31.5	63.3	+51.5	47.2	+71.5	33.3	+91.5	21.0	+111.5	9.9		
-28.0	128.5	-8.0	103.2	+12.0	81.5	+32.0	62.9	+52.0	46.8	+72.0	32.9	+92.0	20.7	+112.0	9.6		
-27.5	127.8	-7.5	102.6	+12.5	81.0	+32.5	62.4	+52.5	46.5	+72.5	32.6	+92.5	20.4	+112.5	9.3		
-27.0	127.1	-7.0	102.0	+13.0	80.5	+33.0	62.0	+53.0	46.1	+73.0	32.3	+93.0	20.1	+113.0	9.1		
-26.5	126.4	-6.5	101.5	+13.5	80.0	+33.5	61.6	+53.5	45.7	+73.5	32.0	+93.5	19.8	+113.5	8.8		
-26.0	125.8	-6.0	100.9	+14.0	79.5	+34.0	61.2	+54.0	45.4	+74.0	31.6	+94.0	19.5	+114.0	8.5		
-25.5	125.1	-5.5	100.3	+14.5	79.0	+34.5	60.7	+54.5	45.0	+74.5	31.3	+94.5	19.2	+114.5	8.3		
-25.0	124.4	-5.0	99.7	+15.0	78.5	+35.0	60.3	+55.0	44.6	+75.0	31.0	+95.0	19.0	+115.0	8.0		
-24.5	123.8	-4.5	99.2	+15.5	78.0	+35.5	59.9	+55.5	44.3	+75.5	30.7	+95.5	18.7	+115.5	7.7		
-24.0	123.1	-4.0	98.6	+16.0	77.6	+36.0	59.5	+56.0	43.9	+76.0	30.4	+96.0	18.4	+116.0	7.5		
-23.5	122.4	-3.5	98.0	+16.5	77.1	+36.5	59.1	+56.5	43.5	+76.5	30.0	+96.5	18.1	+116.5	7.2		
-23.0	121.8	-3.0	97.5	+17.0	76.6	+37.0	58.6	+57.0	43.2	+77.0	29.7	+97.0	17.8	+117.0	7.0		
-22.5	121.1	-2.5	96.9	+17.5	76.1	+37.5	58.2	+57.5	42.8	+77.5	29.4	+97.5	17.5	+117.5	6.7		
-22.0	120.5	-2.0	96.4	+18.0	75.6	+38.0	57.8	+58.0	42.5	+78.0	29.1	+98.0	17.2	+118.0	6.4		
-21.5	119.8	-1.5	95.8	+18.5	75.1	+38.5	57.4	+58.5	42.1	+78.5	28.8	+98.5	17.0	+118.5	6.2		
-21.0	119.2	-1.0	95.2	+19.0	74.7	+39.0	57.0	+59.0	41.8	+79.0	28.5	+99.0	16.7	+119.0	5.9		
-20.5	118.5	-0.5	94.7	+19.5	74.2	+39.5	56.6	+59.5	41.4	+79.5	28.2	+99.5	16.4	+119.5	5.7		
-20.0	117.9	0.0	94.1	+20.0	73.7	+40.0	56.2	+60.0	41.1	+80.0	27.9	+100.0	16.1	+120.0	5.4		

**TABLE 4-3: T<sub>SET</sub> TO R<sub>SET</sub> CONVERSION TABLE FOR MCP9509/MCP9510CT (COLD)**

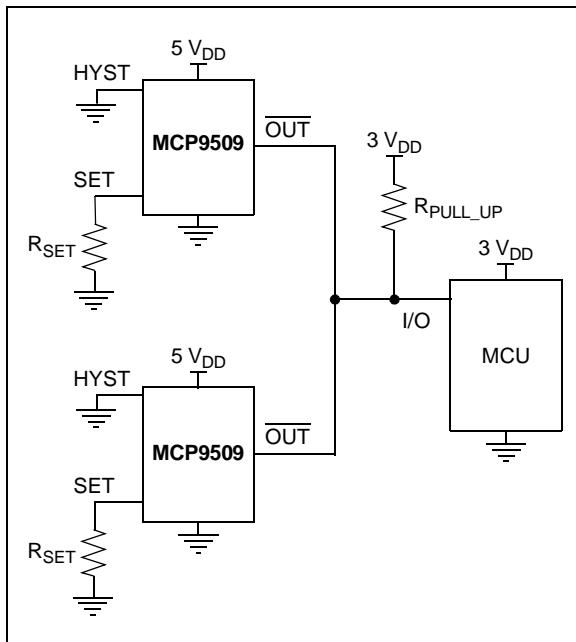
T <sub>SET</sub> (°C)	R <sub>SET</sub> (kΩ)	T <sub>SET</sub> (°C)	R <sub>SET</sub> (kΩ)	T <sub>SET</sub> (°C)	R <sub>SET</sub> (kΩ)	T <sub>SET</sub> (°C)	R <sub>SET</sub> (kΩ)	T <sub>SET</sub> (°C)	R <sub>SET</sub> (kΩ)	T <sub>SET</sub> (°C)	R <sub>SET</sub> (kΩ)	T <sub>SET</sub> (°C)	R <sub>SET</sub> (kΩ)	T <sub>SET</sub> (°C)	R <sub>SET</sub> (kΩ)	T <sub>SET</sub> (°C)	R <sub>SET</sub> (kΩ)
-40.0	146.3	-20.0	118.8	0.0	95.1	+20.0	74.8	+40.0	57.4	+60.0	42.4	+80.0	29.2	+100.0	17.6	+120.0	6.8
-39.5	145.6	-19.5	118.2	+0.5	94.6	+20.5	74.4	+40.5	57.0	+60.5	42.0	+80.5	28.9	+100.5	17.3	+120.5	6.6
-39.0	144.8	-19.0	117.5	+1.0	94.0	+21.0	73.9	+41.0	56.6	+61.0	41.7	+81.0	28.6	+101.0	17.0	+121.0	6.3
-38.5	144.1	-18.5	116.9	+1.5	93.5	+21.5	73.4	+41.5	56.2	+61.5	41.3	+81.5	28.3	+101.5	16.7	+121.5	6.0
-38.0	143.4	-18.0	116.3	+2.0	93.0	+22.0	73.0	+42.0	55.8	+62.0	41.0	+82.0	28.0	+102.0	16.4	+122.0	5.8
-37.5	142.6	-17.5	115.6	+2.5	92.4	+22.5	72.5	+42.5	55.4	+62.5	40.6	+82.5	27.7	+102.5	16.2	+122.5	5.5
-37.0	141.9	-17.0	115.0	+3.0	91.9	+23.0	72.0	+43.0	55.0	+63.0	40.3	+83.0	27.4	+103.0	15.9	+123.0	5.3
-36.5	141.2	-16.5	114.4	+3.5	91.4	+23.5	71.6	+43.5	54.6	+63.5	39.9	+83.5	27.1	+103.5	15.6	+123.5	5.0
-36.0	140.5	-16.0	113.8	+4.0	90.8	+24.0	71.1	+44.0	54.2	+64.0	39.6	+84.0	26.8	+104.0	15.3	+124.0	4.8
-35.5	139.8	-15.5	113.2	+4.5	90.3	+24.5	70.7	+44.5	53.8	+64.5	39.3	+84.5	26.5	+104.5	15.1	+124.5	4.5
-35.0	139.0	-15.0	112.5	+5.0	89.8	+25.0	70.2	+45.0	53.4	+65.0	38.9	+85.0	26.2	+105.0	14.8	+125.0	4.2
-34.5	138.3	-14.5	111.9	+5.5	89.2	+25.5	69.8	+45.5	53.0	+65.5	38.6	+85.5	25.9	+105.5	14.5		
-34.0	137.6	-14.0	111.3	+6.0	88.7	+26.0	69.3	+46.0	52.7	+66.0	38.2	+86.0	25.6	+106.0	14.3		
-33.5	136.9	-13.5	110.7	+6.5	88.2	+26.5	68.9	+46.5	52.3	+66.5	37.9	+86.5	25.3	+106.5	14.0		
-33.0	136.2	-13.0	110.1	+7.0	87.7	+27.0	68.4	+47.0	51.9	+67.0	37.6	+87.0	25.0	+107.0	13.7		
-32.5	135.5	-12.5	109.5	+7.5	87.2	+27.5	68.0	+47.5	51.5	+67.5	37.2	+87.5	24.7	+107.5	13.4		
-32.0	134.8	-12.0	108.9	+8.0	86.6	+28.0	67.5	+48.0	51.1	+68.0	36.9	+88.0	24.4	+108.0	13.2		
-31.5	134.1	-11.5	108.3	+8.5	86.1	+28.5	67.1	+48.5	50.7	+68.5	36.6	+88.5	24.1	+108.5	12.9		
-31.0	133.4	-11.0	107.7	+9.0	85.6	+29.0	66.7	+49.0	50.4	+69.0	36.2	+89.0	23.8	+109.0	12.6		
-30.5	132.7	-10.5	107.1	+9.5	85.1	+29.5	66.2	+49.5	50.0	+69.5	35.9	+89.5	23.5	+109.5	12.4		
-30.0	132.0	-10.0	106.5	+10.0	84.6	+30.0	65.8	+50.0	49.6	+70.0	35.6	+90.0	23.2	+110.0	12.1		
-29.5	131.4	-9.5	105.9	+10.5	84.1	+30.5	65.3	+50.5	49.2	+70.5	35.3	+90.5	23.0	+110.5	11.8		
-29.0	130.7	-9.0	105.3	+11.0	83.6	+31.0	64.9	+51.0	48.9	+71.0	34.9	+91.0	22.7	+111.0	11.6		
-28.5	130.0	-8.5	104.8	+11.5	83.1	+31.5	64.5	+51.5	48.5	+71.5	34.6	+91.5	22.4	+111.5	11.3		
-28.0	129.3	-8.0	104.2	+12.0	82.6	+32.0	64.1	+52.0	48.1	+72.0	34.3	+92.0	22.1	+112.0	11.0		
-27.5	128.6	-7.5	103.6	+12.5	82.1	+32.5	63.6	+52.5	47.7	+72.5	34.0	+92.5	21.8	+112.5	10.8		
-27.0	128.0	-7.0	103.0	+13.0	81.6	+33.0	63.2	+53.0	47.4	+73.0	33.6	+93.0	21.5	+113.0	10.5		
-26.5	127.3	-6.5	102.4	+13.5	81.1	+33.5	62.8	+53.5	47.0	+73.5	33.3	+93.5	21.2	+113.5	10.2		
-26.0	126.6	-6.0	101.9	+14.0	80.6	+34.0	62.4	+54.0	46.6	+74.0	33.0	+94.0	20.9	+114.0	10.0		
-25.5	126.0	-5.5	101.3	+14.5	80.1	+34.5	61.9	+54.5	46.3	+74.5	32.7	+94.5	20.7	+114.5	9.7		
-25.0	125.3	-5.0	100.7	+15.0	79.6	+35.0	61.5	+55.0	45.9	+75.0	32.4	+95.0	20.4	+115.0	9.4		
-24.5	124.6	-4.5	100.1	+15.5	79.1	+35.5	61.1	+55.5	45.6	+75.5	32.0	+95.5	20.1	+115.5	9.2		
-24.0	124.0	-4.0	99.6	+16.0	78.6	+36.0	60.7	+56.0	45.2	+76.0	31.7	+96.0	19.8	+116.0	8.9		
-23.5	123.3	-3.5	99.0	+16.5	78.2	+36.5	60.3	+56.5	44.8	+76.5	31.4	+96.5	19.5	+116.5	8.7		
-23.0	122.7	-3.0	98.5	+17.0	77.7	+37.0	59.8	+57.0	44.5	+77.0	31.1	+97.0	19.2	+117.0	8.4		
-22.5	122.0	-2.5	97.9	+17.5	77.2	+37.5	59.4	+57.5	44.1	+77.5	30.8	+97.5	19.0	+117.5	8.1		
-22.0	121.4	-2.0	97.3	+18.0	76.7	+38.0	59.0	+58.0	43.8	+78.0	30.5	+98.0	18.7	+118.0	7.9		
-21.5	120.7	-1.5	96.8	+18.5	76.2	+38.5	58.6	+58.5	43.4	+78.5	30.2	+98.5	18.4	+118.5	7.6		
-21.0	120.1	-1.0	96.2	+19.0	75.8	+39.0	58.2	+59.0	43.1	+79.0	29.9	+99.0	18.1	+119.0	7.3		
-20.5	119.4	-0.5	95.7	+19.5	75.3	+39.5	57.8	+59.5	42.7	+79.5	29.5	+99.5	17.8	+119.5	7.1		
-20.0	118.8	0.0	95.1	+20.0	74.8	+40.0	57.4	+60.0	42.4	+80.0	29.2	+100.0	17.6	+120.0	6.8		

# MCP9509/10

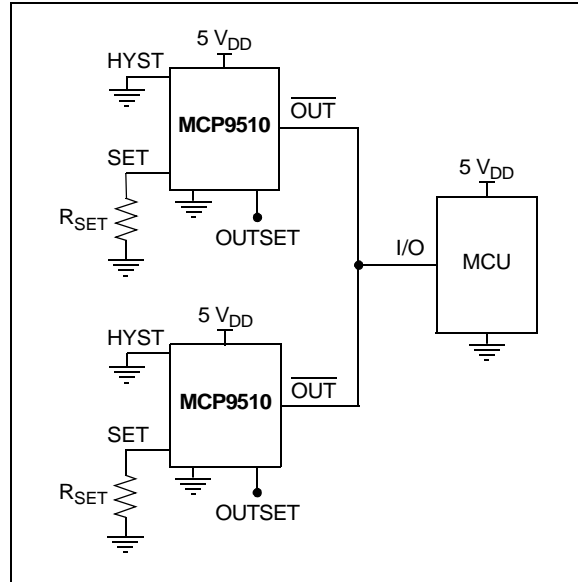
## 4.6 Application Information

The MCP9509/10 temperature switch integrates a temperature sensor and a comparator circuit which outputs an alert signal when the user-programmable temperature threshold is exceeded. The external resistor value to set the output threshold can be determined using [Table 4-2](#). A constant-current source,  $I_{SET} = 5 \mu A$  (typical), biases the external resistor,  $R_{SET}$ . A thermal diode is used to measure ambient temperature. When the voltage across the thermal diode exceeds the voltage across  $R_{SET}$ ,  $V_{SET}$ , the sensor output asserts. The sensor output deasserts when the diode voltage drops below  $V_{SET}$  and the user-selected hysteresis level.

The MCP9509/10 devices provide an open-drain output, where multiple sensors from multiple PCB hot spots can be connected to a single processor I/O input with a wired-OR configuration. The MCP9509 requires an external pull-up resistor, which can be used to level shift the alert signal. For example, if the sensors are powered with  $5 V_{DD}$  and the controller or processor is powered with  $3 V_{DD}$ , the external resistor can be level shifted by connecting  $3 V_{DD}$  to the pull-up resistor, as shown in [Figure 4-5](#). The MCP9510 eliminates the need for an external resistor while providing wired-OR function ([Figure 4-6](#)). The MCP9510 also provides push-pull output configuration for a direct connection to the processor with active-low or active-high assert polarities.



**FIGURE 4-5:** MCP9509 Wired-OR Output Configuration with Level Shift.



**FIGURE 4-6:** MCP9510 Wired-OR Output Configuration with Internal Pull-up Resistor.

### 4.6.1 LAYOUT CONSIDERATION AND THERMAL CONSIDERATION

This family of sensors measures temperature by monitoring the voltage level of a thermal diode located in the die. A low-impedance thermal path between the die and the PCB is provided by the pins. Therefore, the sensor effectively monitors PCB temperature. For efficient performance, it is recommended to layout the device as close to the heat source as possible. It is also recommended to use a decoupling capacitor of  $0.1 \mu F$  to  $1 \mu F$ , between  $V_{DD}$  and GND pins, for stability.

When connecting an external resistor to the MCP9509 device, the current through the pull-up resistor must be considered to prevent self-heat due to power. This can be determined using [Equation 4-3](#).

#### EQUATION 4-3: EFFECT OF SELF-HEATING

$$T_J - T_A = \theta_{JA}(V_{DD} \times I_{DD} + V_{OL} \times I_{OUT})$$

Where:

- $T_J$  = Junction Temperature
- $T_A$  = Ambient Temperature
- $\theta_{JA}$  = Package Thermal Resistance (220.7°C/W)
- $V_{OL}$  = Sensor Output Low Voltage
- $I_{OUT}$  = Output Current

For example, at room temperature, when output asserts active-low and maximum  $I_{DD} = 50 \mu A$ ,  $V_{DD} = 5.5V$ ,  $V_{OL} = 0.3V$  and  $I_{OUT} = 5 mA$  (see [DC Characteristics](#)), the self-heating due to power dissipation ( $T_J - T_A$ ) is  $\sim 0.4^\circ C$ .

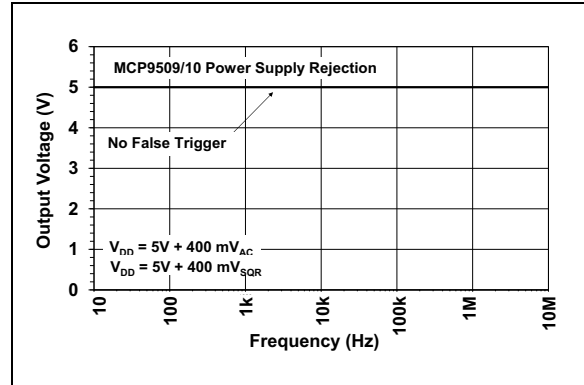


## 4.6.2 DRIVING OUTSET WITH A MICROCONTROLLER I/O PIN

The OUTSET pin can be controlled using a microcontroller Input/Output (I/O) pin. I/O levels HIGH and LOW provide push-pull configuration with active-high and active-low outputs, respectively. The open-drain output with internal pull-up resistor can be selected by configuring the I/O pin as a high-impedance input. The open-drain output can also be selected by forcing voltage level,  $V_{OSET}$ , from a low-impedance source. With this configuration, there may be some leakage current due to impedance mismatch (Figure 4-2).

## 4.6.3 POWER SUPPLY REJECTION

The MCP9509/10 family of sensors is designed to prevent a false output trigger due to high-frequency power supply or system noise. Figure 4-7 shows device performance with a high-frequency signal added on  $V_{DD}$ . The output is not triggered due to the signal added on  $V_{DD}$ . With some applications, it is recommended to add a bypass capacitor of 0.1  $\mu\text{F}$  to 1  $\mu\text{F}$ .



**FIGURE 4-7:** Power Supply Rejection (PSR).

# MCP9509/10

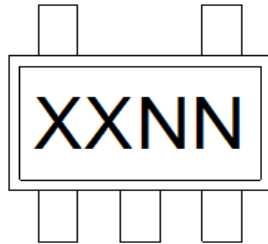
---

NOTES:

## 5.0 PACKAGING INFORMATION

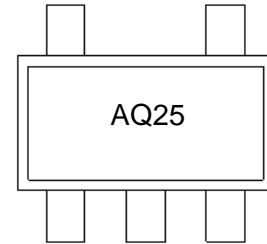
### 5.1 Package Marking Information

5-Lead SOT-23

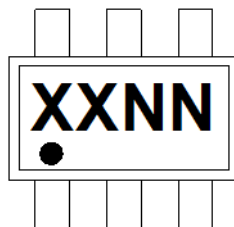


Part Number	Code
MCP9509CT-E/OT	AQNN
MCP9509HT-E/OT	BPNN

Example

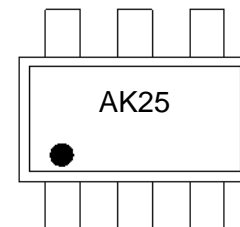


6-Lead SOT-23



Part Number	Code
MCP9510CT-E/CH	AKNN
MCP9510HT-E/CH	ALNN

Example



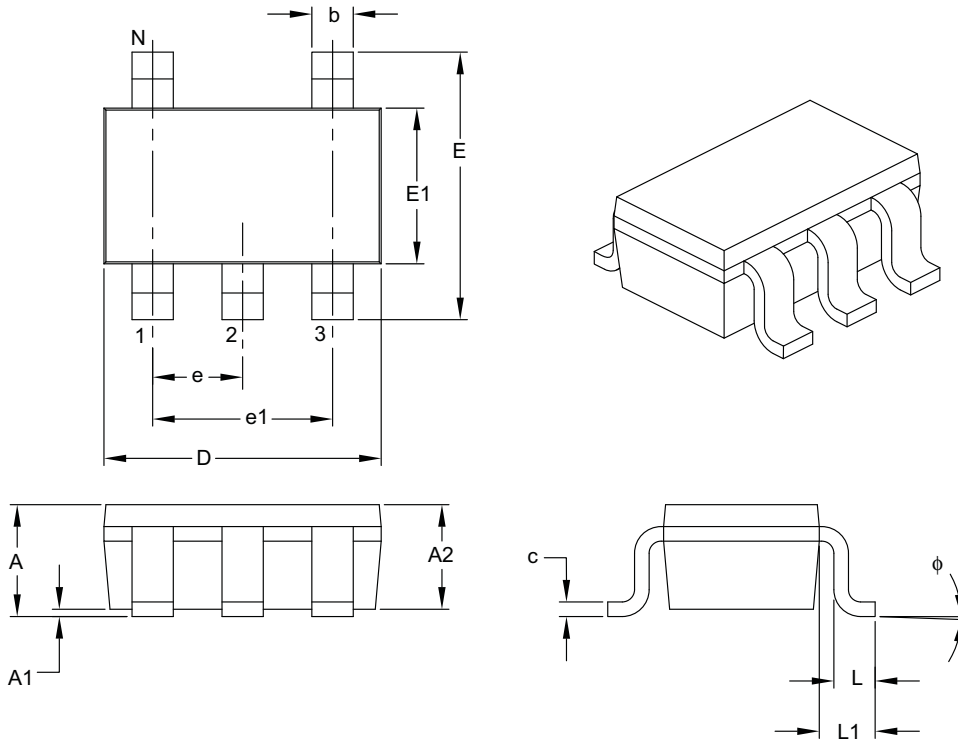
<b>Legend:</b>	XX...X	Customer-specific information
	Y	Year code (last digit of calendar year)
	YY	Year code (last 2 digits of calendar year)
	WW	Week code (week of January 1 is week '01')
	NNN	Alphanumeric traceability code
	(e3)	Pb-free JEDEC® designator for Matte Tin (Sn)
	*	This package is Pb-free. The Pb-free JEDEC® designator (e3) can be found on the outer packaging for this package.

**Note:** In the event the full Microchip part number cannot be marked on one line, it will be carried over to the next line, thus limiting the number of available characters for customer-specific information.

# MCP9509/10

## 5-Lead Plastic Small Outline Transistor (OT) [SOT-23]

**Note:** For the most current package drawings, please see the Microchip Packaging Specification located at <http://www.microchip.com/packaging>



Dimension Limits	Units	MILLIMETERS		
		MIN	NOM	MAX
Number of Pins	N	5		
Lead Pitch	e	0.95 BSC		
Outside Lead Pitch	e1	1.90 BSC		
Overall Height	A	0.90	–	1.45
Molded Package Thickness	A2	0.89	–	1.30
Standoff	A1	0.00	–	0.15
Overall Width	E	2.20	–	3.20
Molded Package Width	E1	1.30	–	1.80
Overall Length	D	2.70	–	3.10
Foot Length	L	0.10	–	0.60
Footprint	L1	0.35	–	0.80
Foot Angle	$\phi$	0°	–	30°
Lead Thickness	c	0.08	–	0.26
Lead Width	b	0.20	–	0.51

**Notes:**

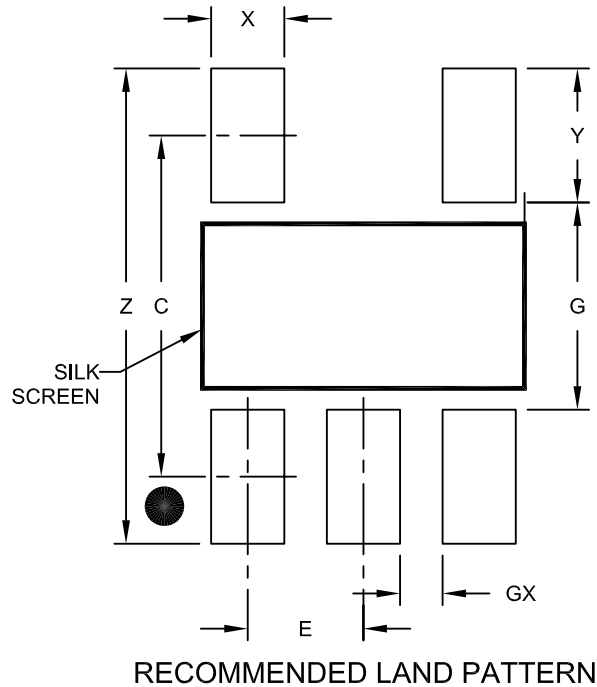
- Dimensions D and E1 do not include mold flash or protrusions. Mold flash or protrusions shall not exceed 0.127 mm per side.
- Dimensioning and tolerancing per ASME Y14.5M.

BSC: Basic Dimension. Theoretically exact value shown without tolerances.

Microchip Technology Drawing C04-091B

## 5-Lead Plastic Small Outline Transistor (OT) [SOT-23]

**Note:** For the most current package drawings, please see the Microchip Packaging Specification located at <http://www.microchip.com/packaging>



Dimension Limits	Units	MILLIMETERS		
		MIN	NOM	MAX
Contact Pitch	E	0.95 BSC		
Contact Pad Spacing	C	2.80		
Contact Pad Width (X5)	X			0.60
Contact Pad Length (X5)	Y			1.10
Distance Between Pads	G	1.70		
Distance Between Pads	GX	0.35		
Overall Width	Z			3.90

**Notes:**

1. Dimensioning and tolerancing per ASME Y14.5M

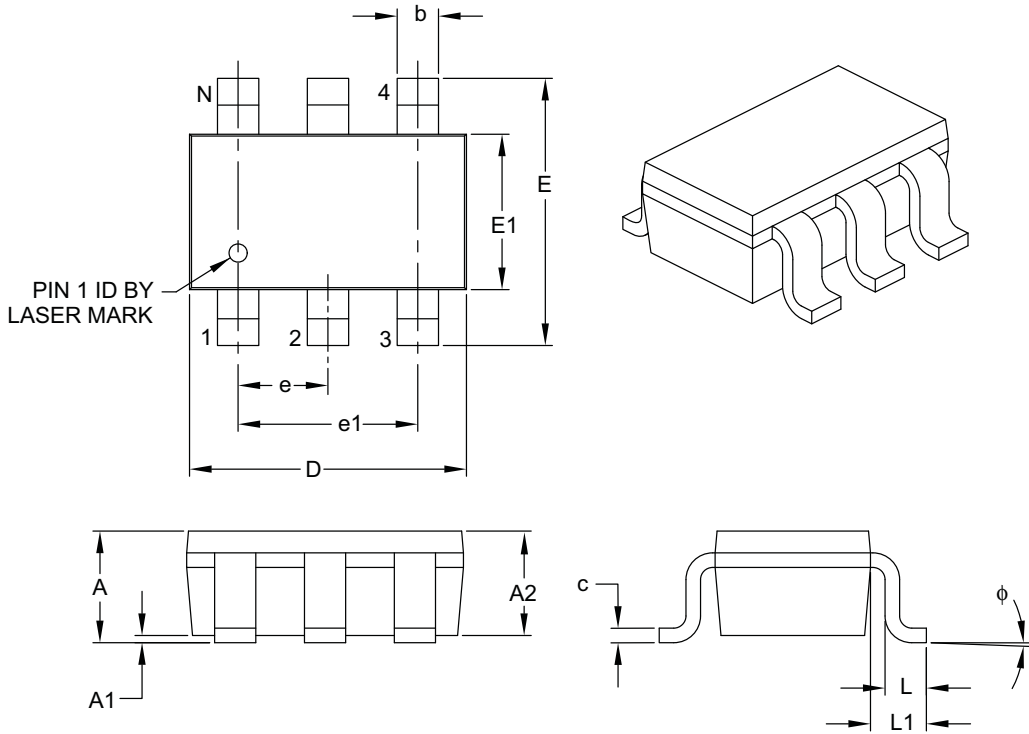
BSC: Basic Dimension. Theoretically exact value shown without tolerances.

Microchip Technology Drawing No. C04-2091A

# MCP9509/10

## 6-Lead Plastic Small Outline Transistor (CH) [SOT-23]

**Note:** For the most current package drawings, please see the Microchip Packaging Specification located at <http://www.microchip.com/packaging>



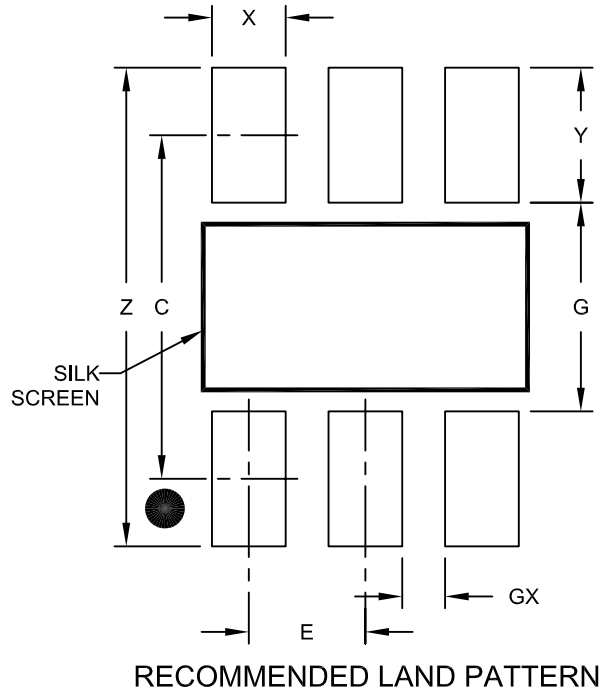
		Units	MILLIMETERS		
Dimension Limits			MIN	NOM	MAX
Number of Pins	N		6		
Pitch	e		0.95 BSC		
Outside Lead Pitch	e1		1.90 BSC		
Overall Height	A		0.90	–	1.45
Molded Package Thickness	A2		0.89	–	1.30
Standoff	A1		0.00	–	0.15
Overall Width	E		2.20	–	3.20
Molded Package Width	E1		1.30	–	1.80
Overall Length	D		2.70	–	3.10
Foot Length	L		0.10	–	0.60
Footprint	L1		0.35	–	0.80
Foot Angle	$\phi$		0°	–	30°
Lead Thickness	c		0.08	–	0.26
Lead Width	b		0.20	–	0.51

- Notes:**
- Dimensions D and E1 do not include mold flash or protrusions. Mold flash or protrusions shall not exceed 0.127 mm per side.
  - Dimensioning and tolerancing per ASME Y14.5M.  
BSC: Basic Dimension. Theoretically exact value shown without tolerances.

Microchip Technology Drawing C04-028B

## 6-Lead Plastic Small Outline Transistor (CH) [SOT-23]

**Note:** For the most current package drawings, please see the Microchip Packaging Specification located at <http://www.microchip.com/packaging>



Dimension	Units	MILLIMETERS		
		MIN	NOM	MAX
Contact Pitch	E	0.95 BSC		
Contact Pad Spacing	C		2.80	
Contact Pad Width (X6)	X			0.60
Contact Pad Length (X6)	Y			1.10
Distance Between Pads	G	1.70		
Distance Between Pads	GX	0.35		
Overall Width	Z			3.90

**Notes:**

1. Dimensioning and tolerancing per ASME Y14.5M

BSC: Basic Dimension. Theoretically exact value shown without tolerances.

Microchip Technology Drawing No. C04-2028A

# MCP9509/10

---

NOTES:



## APPENDIX A: REVISION HISTORY

### Revision B (July 2016)

- Added text referencing the AEC-Q100 qualification (automotive) in the [Features](#) section.
- Added 'Recommended Land Pattern' in [Section 5.0 "Packaging Information"](#).

### Revision A (November 2008)

- Original release of this document.

# MCP9509/10

---

NOTES:

## PRODUCT IDENTIFICATION SYSTEM

To order or obtain information, e.g., on pricing or delivery, refer to the factory or the listed sales office.

<u>PART NO.</u>	<u>X1<sup>(1)</sup></u>	<u>X</u>	<u>/XX</u>	
Device	Tape and Reel Option	Temperature Range	Package	
<b>Device:</b>	MCP9509CT:	Resistor Programmable Temperature Switch, Cold Option		
	MCP9509HT:	Resistor Programmable Temperature Switch, Hot Option		
	MCP9510CT:	Resistor Programmable Temperature Switch, Cold Option		
	MCP9510HT:	Resistor Programmable Temperature Switch, Hot Option		
<b>Tape and Reel Option:</b>	Blank = Standard Packaging (tube or tray) T = Tape and Reel <sup>(1)</sup>			
<b>Temperature Range:</b>	E = -40°C to +125°C			
<b>Package:</b>	OT = Plastic Small Outline Transistor (SOT-23), 5-Lead ( <b>MCP9509</b> ) CH = Plastic Small Outline Transistor (SOT-23), 6-Lead ( <b>MCP9510</b> )			

**Examples:**

- a) MCP9509CT-E/OT: Cold Option, Extended Temp., 5-LD SOT-23 package.
- b) MCP9509HT-E/OT: Hot Option, Extended Temp., 5-LD SOT-23 package.
- c) MCP9510CT-E/CH: Cold Option, Extended Temp., 6LD SOT-23 package.
- d) MCP9510HT-E/CH: Hot Option, Extended Temp., 6-LD SOT-23 package.

**Note 1:** Tape and Reel identifier only appears in the catalog part number description. This identifier is used for ordering purposes and is not printed on the device package. Check with your Microchip Sales Office for package availability with the Tape and Reel option.

# MCP9509/10

---

NOTES:

---

---

**Note the following details of the code protection feature on Microchip devices:**

- Microchip products meet the specification contained in their particular Microchip Data Sheet.
- Microchip believes that its family of products is one of the most secure families of its kind on the market today, when used in the intended manner and under normal conditions.
- There are dishonest and possibly illegal methods used to breach the code protection feature. All of these methods, to our knowledge, require using the Microchip products in a manner outside the operating specifications contained in Microchip's Data Sheets. Most likely, the person doing so is engaged in theft of intellectual property.
- Microchip is willing to work with the customer who is concerned about the integrity of their code.
- Neither Microchip nor any other semiconductor manufacturer can guarantee the security of their code. Code protection does not mean that we are guaranteeing the product as “unbreakable.”

Code protection is constantly evolving. We at Microchip are committed to continuously improving the code protection features of our products. Attempts to break Microchip's code protection feature may be a violation of the Digital Millennium Copyright Act. If such acts allow unauthorized access to your software or other copyrighted work, you may have a right to sue for relief under that Act.

---

Information contained in this publication regarding device applications and the like is provided only for your convenience and may be superseded by updates. It is your responsibility to ensure that your application meets with your specifications. MICROCHIP MAKES NO REPRESENTATIONS OR WARRANTIES OF ANY KIND WHETHER EXPRESS OR IMPLIED, WRITTEN OR ORAL, STATUTORY OR OTHERWISE, RELATED TO THE INFORMATION, INCLUDING BUT NOT LIMITED TO ITS CONDITION, QUALITY, PERFORMANCE, MERCHANTABILITY OR FITNESS FOR PURPOSE. Microchip disclaims all liability arising from this information and its use. Use of Microchip devices in life support and/or safety applications is entirely at the buyer's risk, and the buyer agrees to defend, indemnify and hold harmless Microchip from any and all damages, claims, suits, or expenses resulting from such use. No licenses are conveyed, implicitly or otherwise, under any Microchip intellectual property rights unless otherwise stated.

*Microchip received ISO/TS-16949:2009 certification for its worldwide headquarters, design and wafer fabrication facilities in Chandler and Tempe, Arizona; Gresham, Oregon and design centers in California and India. The Company's quality system processes and procedures are for its PIC® MCUs and dsPIC® DSCs, KEELoC® code hopping devices, Serial EEPROMs, microperipherals, nonvolatile memory and analog products. In addition, Microchip's quality system for the design and manufacture of development systems is ISO 9001:2000 certified.*

**QUALITY MANAGEMENT SYSTEM  
CERTIFIED BY DNV  
= ISO/TS 16949 =**

### Trademarks

The Microchip name and logo, the Microchip logo, AnyRate, dsPIC, FlashFlex, flexPWR, Heldo, JukeBlox, KeeLoq, KeeLoq logo, Klear, LANCheck, LINK MD, MediaLB, MOST, MOST logo, MPLAB, OptoLyzer, PIC, PICSTART, PIC32 logo, RightTouch, SpyNIC, SST, SST Logo, SuperFlash and UNI/O are registered trademarks of Microchip Technology Incorporated in the U.S.A. and other countries.

ClockWorks, The Embedded Control Solutions Company, ETHERSYNCH, Hyper Speed Control, HyperLight Load, IntelliMOS, mTouch, Precision Edge, and QUIET-WIRE are registered trademarks of Microchip Technology Incorporated in the U.S.A.

Analog-for-the-Digital Age, Any Capacitor, AnyIn, AnyOut, BodyCom, chipKIT, chipKIT logo, CodeGuard, dsPICDEM, dsPICDEM.net, Dynamic Average Matching, DAM, ECAN, EtherGREEN, In-Circuit Serial Programming, ICSP, Inter-Chip Connectivity, JitterBlocker, KlearNet, KlearNet logo, MiWi, motorBench, MPASM, MPF, MPLAB Certified logo, MPLIB, MPLINK, MultiTRAK, NetDetach, Omniscient Code Generation, PICDEM, PICDEM.net, PICkit, PICtail, PureSilicon, RightTouch logo, REAL ICE, Ripple Blocker, Serial Quad I/O, SQL, SuperSwitcher, SuperSwitcher II, Total Endurance, TSHARC, USBCheck, VariSense, ViewSpan, WiperLock, Wireless DNA, and ZENA are trademarks of Microchip Technology Incorporated in the U.S.A. and other countries.

SQTP is a service mark of Microchip Technology Incorporated in the U.S.A.

Silicon Storage Technology is a registered trademark of Microchip Technology Inc. in other countries.

GestIC is a registered trademarks of Microchip Technology Germany II GmbH & Co. KG, a subsidiary of Microchip Technology Inc., in other countries.

All other trademarks mentioned herein are property of their respective companies.

© 2008-2016, Microchip Technology Incorporated, Printed in the U.S.A., All Rights Reserved.

ISBN: 978-1-5224-0756-0



# MICROCHIP

## Worldwide Sales and Service

### AMERICAS

#### Corporate Office

2355 West Chandler Blvd.  
Chandler, AZ 85224-6199

Tel: 480-792-7200

Fax: 480-792-7277

Technical Support:

[http://www.microchip.com/  
support](http://www.microchip.com/support)

Web Address:

[www.microchip.com](http://www.microchip.com)

#### Atlanta

Duluth, GA

Tel: 678-957-9614

Fax: 678-957-1455

#### Austin, TX

Tel: 512-257-3370

#### Boston

Westborough, MA

Tel: 774-760-0087

Fax: 774-760-0088

#### Chicago

Itasca, IL

Tel: 630-285-0071

Fax: 630-285-0075

#### Cleveland

Independence, OH

Tel: 216-447-0464

Fax: 216-447-0643

#### Dallas

Addison, TX

Tel: 972-818-7423

Fax: 972-818-2924

#### Detroit

Novi, MI

Tel: 248-848-4000

#### Houston, TX

Tel: 281-894-5983

#### Indianapolis

Noblesville, IN

Tel: 317-773-8323

Fax: 317-773-5453

#### Los Angeles

Mission Viejo, CA

Tel: 949-462-9523

Fax: 949-462-9608

#### New York, NY

Tel: 631-435-6000

#### San Jose, CA

Tel: 408-735-9110

#### Canada - Toronto

Tel: 905-695-1980

Fax: 905-695-2078

### ASIA/PACIFIC

#### Asia Pacific Office

Suites 3707-14, 37th Floor  
Tower 6, The Gateway  
Harbour City, Kowloon

#### Hong Kong

Tel: 852-2943-5100

Fax: 852-2401-3431

#### Australia - Sydney

Tel: 61-2-9868-6733

Fax: 61-2-9868-6755

#### China - Beijing

Tel: 86-10-8569-7000

Fax: 86-10-8528-2104

#### China - Chengdu

Tel: 86-28-8665-5511

Fax: 86-28-8665-7889

#### China - Chongqing

Tel: 86-23-8980-9588

Fax: 86-23-8980-9500

#### China - Dongguan

Tel: 86-769-8702-9880

#### China - Guangzhou

Tel: 86-20-8755-8029

#### China - Hangzhou

Tel: 86-571-8792-8115

Fax: 86-571-8792-8116

#### China - Hong Kong SAR

Tel: 852-2943-5100

Fax: 852-2401-3431

#### China - Nanjing

Tel: 86-25-8473-2460

Fax: 86-25-8473-2470

#### China - Qingdao

Tel: 86-532-8502-7355

Fax: 86-532-8502-7205

#### China - Shanghai

Tel: 86-21-5407-5533

Fax: 86-21-5407-5066

#### China - Shenyang

Tel: 86-24-2334-2829

Fax: 86-24-2334-2393

#### China - Shenzhen

Tel: 86-755-8864-2200

Fax: 86-755-8203-1760

#### China - Wuhan

Tel: 86-27-5980-5300

Fax: 86-27-5980-5118

#### China - Xian

Tel: 86-29-8833-7252

Fax: 86-29-8833-7256

### ASIA/PACIFIC

#### China - Xiamen

Tel: 86-592-2388138

Fax: 86-592-2388130

#### China - Zhuhai

Tel: 86-756-3210040

Fax: 86-756-3210049

#### India - Bangalore

Tel: 91-80-3090-4444

Fax: 91-80-3090-4123

#### India - New Delhi

Tel: 91-11-4160-8631

Fax: 91-11-4160-8632

#### India - Pune

Tel: 91-20-3019-1500

#### Japan - Osaka

Tel: 81-6-6152-7160

Fax: 81-6-6152-9310

#### Japan - Tokyo

Tel: 81-3-6880-3770

Fax: 81-3-6880-3771

#### Korea - Daegu

Tel: 82-53-744-4301

Fax: 82-53-744-4302

#### Korea - Seoul

Tel: 82-2-554-7200

Fax: 82-2-558-5932 or

82-2-558-5934

#### Malaysia - Kuala Lumpur

Tel: 60-3-6201-9857

Fax: 60-3-6201-9859

#### Malaysia - Penang

Tel: 60-4-227-8870

Fax: 60-4-227-4068

#### Philippines - Manila

Tel: 63-2-634-9065

Fax: 63-2-634-9069

#### Singapore

Tel: 65-6334-8870

Fax: 65-6334-8850

#### Taiwan - Hsin Chu

Tel: 886-3-5778-366

Fax: 886-3-5770-955

#### Taiwan - Kaohsiung

Tel: 886-7-213-7828

#### Taiwan - Taipei

Tel: 886-2-2508-8600

Fax: 886-2-2508-0102

#### Thailand - Bangkok

Tel: 66-2-694-1351

Fax: 66-2-694-1350

### EUROPE

#### Austria - Wels

Tel: 43-7242-2244-39

Fax: 43-7242-2244-393

#### Denmark - Copenhagen

Tel: 45-4450-2828

Fax: 45-4485-2829

#### France - Paris

Tel: 33-1-69-53-63-20

Fax: 33-1-69-30-90-79

#### Germany - Dusseldorf

Tel: 49-2129-3766400

#### Germany - Karlsruhe

Tel: 49-721-625370

#### Germany - Munich

Tel: 49-89-627-144-0

Fax: 49-89-627-144-44

#### Italy - Milan

Tel: 39-0331-742611

Fax: 39-0331-466781

#### Italy - Venice

Tel: 39-049-7625286

#### Netherlands - Drunen

Tel: 31-416-690399

Fax: 31-416-690340

#### Poland - Warsaw

Tel: 48-22-3325737

#### Spain - Madrid

Tel: 34-91-708-08-90

Fax: 34-91-708-08-91

#### Sweden - Stockholm

Tel: 46-8-5090-4654

#### UK - Wokingham

Tel: 44-118-921-5800

Fax: 44-118-921-5820

06/23/16