



Switching power supplies  
PSE1

Product designation

Product type designation

**Input characteristics**

Input type

Single-phase

Rated supply voltage AC

VAC

Multivoltage  
100...240

Operating range

AC

min	VAC	85
Max	VAC	264

DC

min	VDC	120
Max	VDC	375

Rated frequency

Hz 50/60

Operational frequency

min	Hz	47
max	Hz	63

Current consumption Max

mA 750

Power dissipation

W 5.7

Insulation voltage Input/Output

AC	VAC	3000
DC	VAC	4242

Internal fuse (250VAC)

T2A 250VAC

**Output characteristics**

Rated output voltage DC

VDC 24

Voltage trimming (potentiometer) DC

min	VDC	22.5
Max	VDC	28.5

Rated output current

A 1.25

Rated output power

W 30

Temperature coefficient

%/°C ±0.03

Line adjustment

% ±1

Load adjustment

% ±1

Efficiency

% 86

Overload protection

1.4

Overvoltage protection

min 28.8V / max  
32.4V

Short-circuit protection

Hiccup

Ripple & noise

mV 100

Parallel connection

Nr. No

**Indications**

LED indicator for power on

Yes

LED indicator for low voltage

No

Power Rdy (Ready - minimum limit)

No

**Connections**

Terminals type	Screw		
Tightening torque for terminals	max	Nm	0.5
	max	lbin	5
Conductor cross section			
AWG/Kcmil	min	AWG	26
	Max	AWG	12
IEC	min	mm <sup>2</sup>	0.2
	Max	mm <sup>2</sup>	2.5
Cable stripping length		mm	4-5

**Ambient conditions**

Temperature			
Operating temperature	min	°C	-25
	max	°C	+71
Storage temperature	min	°C	-40
	max	°C	+85
Derating		%/°C	2.5%/°C above 50°C
Relative humidity		%	<95%
Maximum Pollution degree			2
Max altitude		m	5000

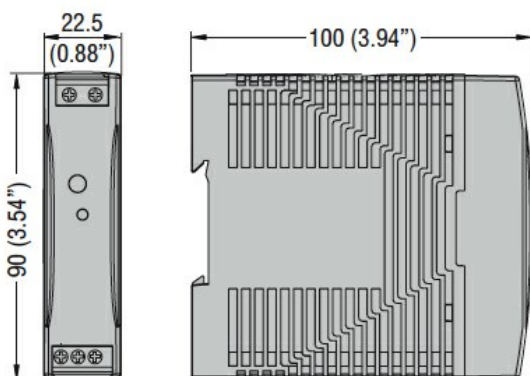
**Housing**

Material	Plastic		
IEC degree of protection	IP20		
Dimensions (W x H x D)	mm	22.5 x 90 x 100	
Weight	g	140	

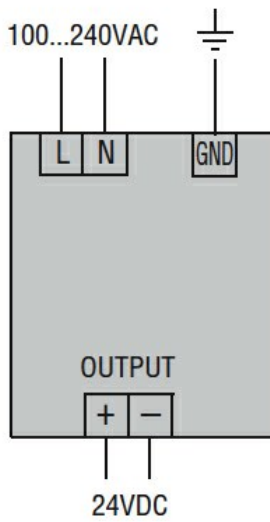
**Installations**

Mounting	On 35mm DIN rail		
Installation position	Vertical (other directions with derating)		
Cooling System	Free air convection		

**Dimensions**



**Wiring diagrams**



### Certifications and compliance

#### Compliance

CSA C22.2 n° 107.1.  
IEC/EN/BS 61000-6-2  
IEC/EN/BS 61000-6-3  
IEC/EN/BS 62368-1  
UL 508

#### Certificates

cULus  
EAC  
RCM

### ETIM classification

ETIM 8.0

EC002540 - DC-  
power supply