



Switching power supplies
PSE1

Product designation

Product type designation

Input characteristics

Input type

Single-phase

Rated supply voltage AC

VAC

Multivoltage
100...240

Operating range

AC

min	VAC	85
Max	VAC	264

DC

min	VDC	120
Max	VDC	375

Rated frequency

Hz 50/60

Operational frequency

min	Hz	47
max	Hz	63

Current consumption Max

mA 1300

Power dissipation

W 8.8

Insulation voltage Input/Output

AC	VAC	3000
DC	VAC	4242

Internal fuse (250VAC)

T2A 250VAC

Output characteristics

Rated output voltage DC

VDC 24

Voltage trimming (potentiometer) DC

min	VDC	22.5
Max	VDC	28.5

Rated output current

A 2.1

Rated output power

W 50

Temperature coefficient

%/°C ±0.03

Line adjustment

% ±1

Load adjustment

% ±1

Efficiency

% 87

Overload protection

1.4

Overvoltage protection

min 28.8V / max
32.4V

Short-circuit protection

Hiccup

Ripple & noise

mV 100

Parallel connection

Nr. No

Indications

LED indicator for power on

Yes

LED indicator for low voltage

No

Power Rdy (Ready - minimum limit)

No

Connections

Terminals type	Screw		
Tightening torque for terminals	max	Nm	0.5
	max	lbin	5
Conductor cross section			
AWG/Kcmil	min	AWG	26
	Max	AWG	12
IEC	min	mm ²	0.2
	Max	mm ²	2.5
Cable stripping length		mm	4-5

Ambient conditions

Temperature			
Operating temperature	min	°C	-25
	max	°C	+71
Storage temperature	min	°C	-40
	max	°C	+85
Derating		%/°C	2.5%/°C above 50°C
Relative humidity		%	<95%
Maximum Pollution degree			2
Max altitude		m	5000

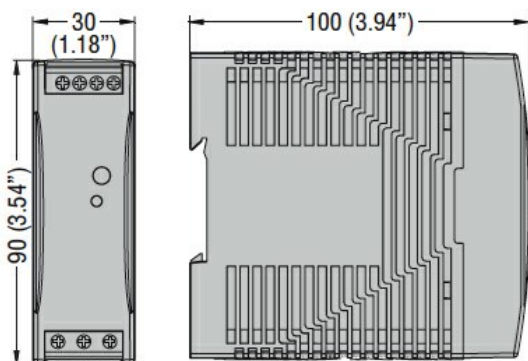
Housing

Material	Plastic		
IEC degree of protection	IP20		
Dimensions (W x H x D)	mm	30 x 90 x 100	
Weight	g	200	

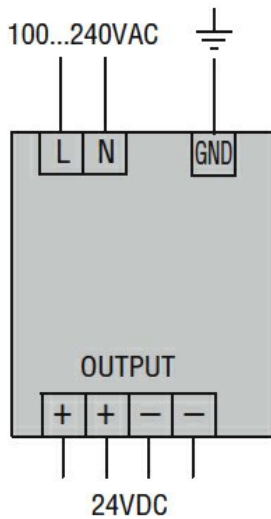
Installations

Mounting	On 35mm DIN rail		
Installation position	Vertical (other directions with derating)		
Cooling System	Free air convection		

Dimensions



Wiring diagrams



Certifications and compliance

Compliance

CSA C22.2 n° 107.1.
IEC/EN/BS 61000-6-2
IEC/EN/BS 61000-6-3
IEC/EN/BS 62368-1
UL 508

Certificates

cULus
EAC
RCM

ETIM classification

ETIM 8.0

EC002540 - DC-
power supply