

CAL MAXVU Datasheet Provisional

Temperature and Process Controller



Overview

MAXVU has been designed to offer essential temperature control in a device that's easy to install, fast to program and with improved display visibility.

MAXVU provides an affordable solution for applications where primary temperature control functions such as heat only or heat/cool are needed, it offers a universal input and up to 3 outputs with a choice of either relay or SSR.

Typical applications include packaging processes such as sealers and many more.

At a Glance

- 1/8 DIN (96 x 48mm) and 1/16 DIN (48 x 48mm)
- Universal input
- Up to 3 outputs
- RS485 communications option
- Fast configuration
- Large clear display
- Depth 67mm

Specification

Input

Thermocouple	• J, K, C, R, S, T, B, L, N.
RTD	• 3 Wire PT100
DC Linear	• 0 to 20mA, 4 to 20mA, 0 to 50mV, 10 to 50mV, 0 to 5V, 1 to 5V, 0 to 10V, 2 to 10V. • Scalable -1999 to 9999, with adjustable decimal point
Accuracy	• Thermocouple $\pm 0.25\%$ of full range ± 1 LSD ($\pm 1^\circ\text{C}$ for thermocouple CJC). • PT100 $\pm 0.25\%$ of full range, ± 1 LSD, DC Linear $\pm 0.2\%$ of full range, ± 1 LSD.
Sampling	• 4 per second
Impedance	• $>10\text{M}\Omega$ resistive, except DC mA (5Ω) and V ($47\text{K}\Omega$)
Sensor Break Detection	• <2 seconds (except zero based DC ranges), high alarms activate for T/C, RTD and mV ranges, low alarms activate for mA or V ranges

Outputs & Options

Relay	• SPST Form A relay; current capacity 2A at 250VA. • $>150,000$ operations at rated voltage/current, resistive load
SSR	• Drive capability $>10\text{V DC @ } 20\text{mA}$
Serial Communications	• 2 Wire RS485, 1,200 to 38,400 bps, Modbus RTU

Key Features

- High visibility 18mm display digits (10.2mm lower display 1/16 DIN)
- Quick setup menu with top 10 configuration parameters
- Thermocouple, PT100 or linear DC sensor input
- Up to 3 outputs, relay or SSR
- 2 process alarms, high/low, deviation or band.
- 3 button operation
- 2 x 4 digit display and 3 output status LEDs
- Front panel configuration or via PC configuration software
- RS485 Modbus RTU communications

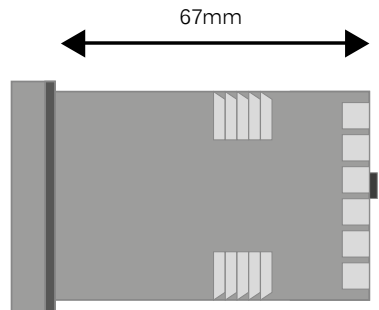
Specification

Operating and Environmental

Temperature & RH	0 to 55°C (-20 to 80°C storage), 20% to 95% RH non-condensing
Power Supply	100 to 240V 50/60Hz (mains powered version) 24V DC/AC +10%/-15%, AC 50/60Hz (low voltage version)
Front Panel Protection	IP65 (Behind panel IP20)
Standards	CE
EMI	Complies with EN61326 (Susceptibility & Emissions)
Safety Considerations	Complies with EN61010-1 & UL61010-1 Pollution Degree 2, Installation Category II
Weight	1/8 DIN, 0.12kg excluding packaging 1/16 DIN x 0.08kg excluding packaging
Communications	RS485 Modbus RTU communication option

Dimensions

Front Fascia	1/16 DIN = 48 x 48mm 1/8 DIN = 96 x 48mm
--------------	---



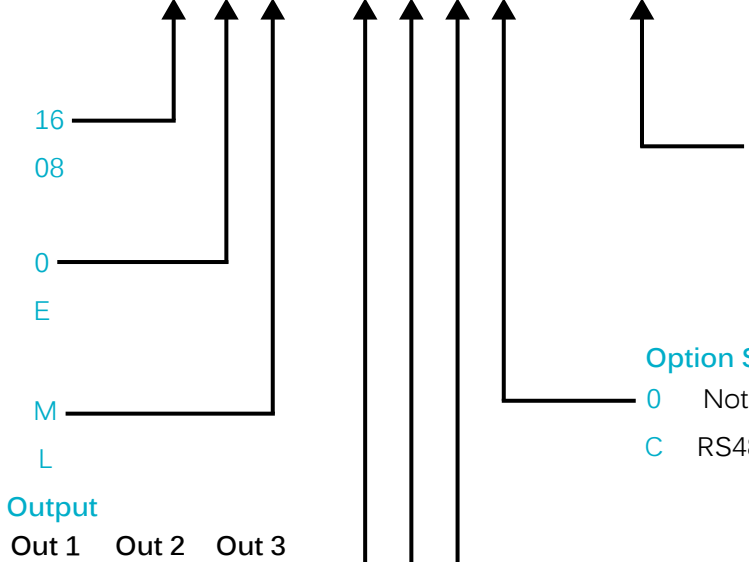
Ordering Code

MV - xx x x - x x x x - 2 x U 0

Format
1/16 DIN, 48 x 48mm
1/8 DIN, 96 x 48mm

Variant
Standard
Extrusion

Supply Voltage
110 to 240V AC
24V AC / DC



Manual Language

- 1 English
- 2 French
- 3 German
- 6 Chinese

Output

Out 1	Out 2	Out 3			
SSR	SSR	None	A	A	0
SSR	Relay	None	A	R	0
Relay	Relay	None	R	R	0
SSR	SSR	Relay	A	A	R
SSR	Relay	Relay	A	R	R
Relay	Relay	Relay	R	R	R

Option Slot 2

- 0 Not Fitted
- C RS485 Communications

Accessories

MAXVU Configuration software

For PC setup MAXVU Configuration Software, includes USB configuration cable.
Available to download free-of charge from www.west-cs.com



MAXVU configuration software is simple to use for fast set up of MAXVU devices.



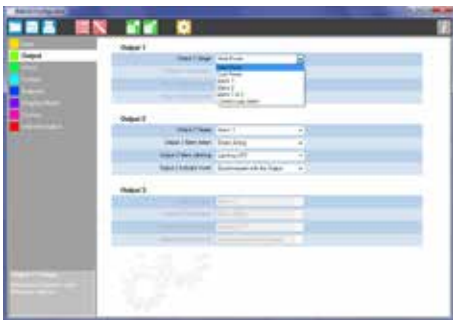
Set-up wizard simplifies the set-up further.

Provides step-by-step guidance to controller configuration with detailed assistance on each setting.



Clear and logical side tabs make it easy to find parameter settings in tabular form.

Simple icon driven taskbar along top for all main functions



Each parameter shows current setting and can easily be changed by drop-down menus or entering values.

Allowable setting range is shown for guidance.

A useful help box provides additional assistance.

Contact



Email: Enquiries@West-CS.com
Website: www.West-CS.co.uk



Telephone: +44 (0)1273 606271
Fax: +44 (0)1273 609990



Address: The Hyde Business Park
Brighton, East Sussex
BN2 4JU
United Kingdom

WEST
Control Solutions

DS-MV-1-ENUK-1503