



### Main

Range of product	Modicon Momentum automation platform
Product or component type	Discrete solid state I/O base DC
Group of channels	1 group of 16 inputs 2 groups of 8 outputs
Discrete input number	16 IEC 1131-2 Type 1
Discrete input logic	Positive
Discrete input voltage	24 V DC
Discrete output number	16
Discrete output type	Solid state switch
Discrete output voltage	$\leq 30$ V DC
Discrete output logic	Positive
Protective treatment	TC

### Complementary

[Us] rated supply voltage	24 V DC
Input voltage limits	-3...30 V
Voltage state 0 guaranteed	-3...5 V
Voltage state1 guaranteed	11...30 V
Current state 0 guaranteed	$\leq 1.2$ mA
Input resistance	4 kOhm
Discrete output current	4 A per group
Leakage current	< 1 mA 24 V output circuit
Peak output current	5 A
Voltage drop	< 0.5 V 0.5 A at state 1 output circuit
Fault type	Overload on output
Response time	< 0.1 ms from state 0 to state 1 on output
Isolation between channels and bus	500 V AC
Power dissipation	$\leq 8$ W

6 W

Marking	CE
Terminals description PLC n°1	(1)IN_DIS#1 (10)IN_DIS#10 (11)IN_DIS#11 (12)IN_DIS#12 (13)IN_DIS#13 (14)IN_DIS#14 (15)IN_DIS#15 (16)IN_DIS#16 (2)IN_DIS#2 (3)IN_DIS#3 (4)IN_DIS#4 (5)IN_DIS#5 (6)IN_DIS#6 (7)IN_DIS#7 (8)IN_DIS#8 (9)IN_DIS#9 (L+)PW_POS (M-)PW_NEG TB
Terminals description PLC n°2	(1)OUT_DIS#1 (10)OUT_DIS#10 (11)OUT_DIS#11 (12)OUT_DIS#12 (13)OUT_DIS#13 (14)OUT_DIS#14 (15)OUT_DIS#15 (1L+)PW_POS (2)OUT_DIS#2 (2L+)PW_POS (3)OUT_DIS#3 (4)OUT_DIS#4 (5)OUT_DIS#5 (6)OUT_DIS#6 (7)OUT_DIS#7 (8)OUT_DIS#8 (9)OUT_DIS#9 TB_1
Local signalling	16 LEDs channel status
Current consumption	250 mA 24 V DC
Depth	47.5 mm
Height	141.5 mm
Width	125 mm
Product weight	0.2 kg

## Environment

Product certifications	CSA UL
Resistance to electrostatic discharge	4 kV contact IEC 801-2
Resistance to electromagnetic fields	10 V/m 80...1000 MHz IEC 801-3
Ambient air temperature for operation	0...60 °C
Ambient air temperature for storage	-40...85 °C
Relative humidity	95 % without condensation
Operating altitude	<= 5000 m

## Offer Sustainability

Sustainable offer status	Green Premium product
RoHS (date code: YYWW)	Compliant - since 0901 - Schneider Electric declaration of conformity <a href="#">Schneider Electric declaration of conformity</a>
REACH	Reference not containing SVHC above the threshold <a href="#">Reference not containing SVHC above the threshold</a>
Product environmental profile	Available

---

Product end of life instructions	Available
----------------------------------	-----------

---

### Contractual warranty

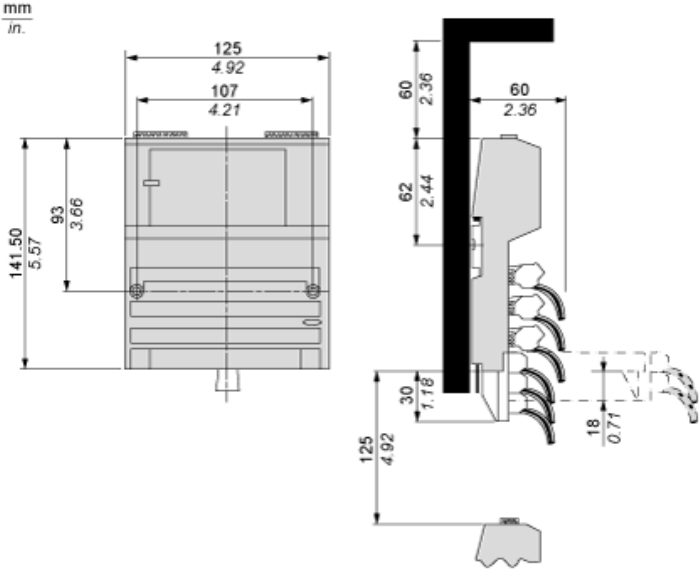
---

Warranty period	18 months
-----------------	-----------

---

Standard Adapter on a Typical Base

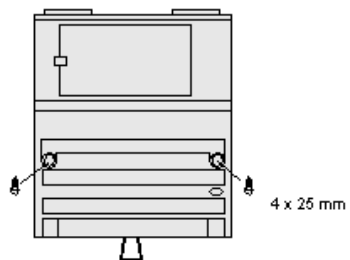
Dimensions



---

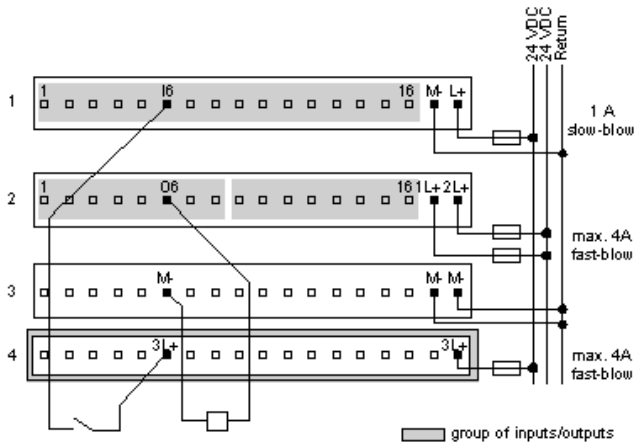
Mounting on a Wall

---

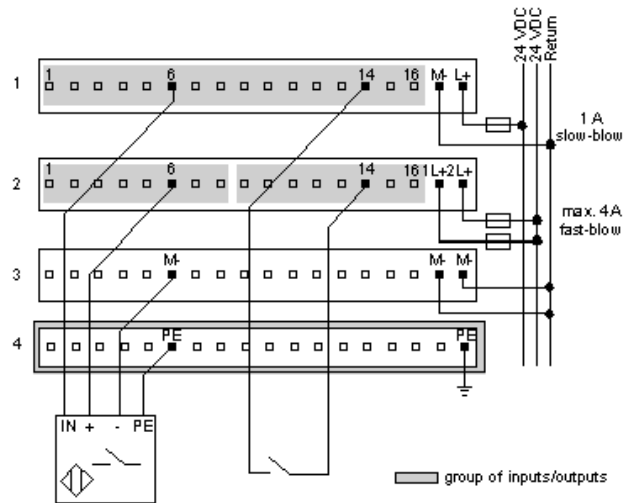


External Wiring Diagrams

2-Wire Devices

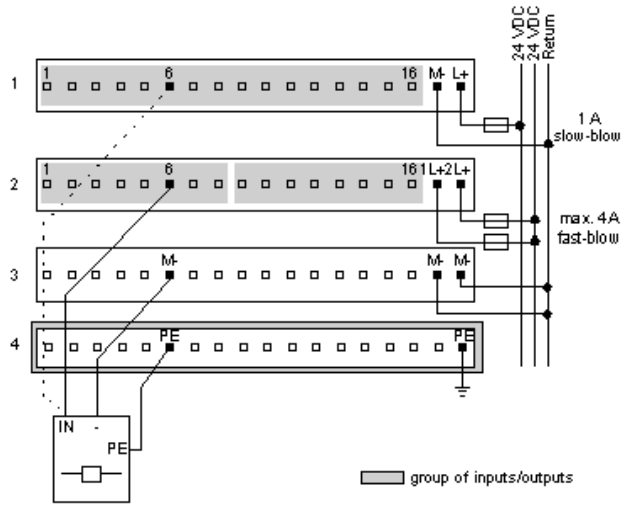


Sensor Activated by Output



Four-Wire Sensor with a Two-Wire Actuator

# Broken Wire Detection



---

Internal Pin Connections

---

Rows 1 through 3 show the internal connections between terminals on the I/O base. Rows 4 through 6 show the internal connections on the optional busbar.