



Micro PLC expansion module, RS485 Modbus RTU communication port
LREP00
24VDC

Product designation

Product type designation
Auxiliary supply voltage

Power supply

Rated auxil. supply voltage	24VDC
Operating voltage range	20.4...28.8VDC
Average current consumption	mA 70

Communications

Type of communication port

Baud rate	bps	4800... 38400bps
Termination resistance		Integrated 120Ω

Connections

Terminals type	Screw
Tightening torque for terminals	max Nm 0.6 Max lbft 5.4

Conductor section

AWG/Kcmil	min	26
	max	16
IEC	min mm ²	0.14
	max mm ²	1.5

Ambient conditions

Temperature

Operating temperature	min °C	-20
	max °C	+55
Storage temperature	min °C	-40
	max °C	+70

Relative humidity

% <90% (non condensing)

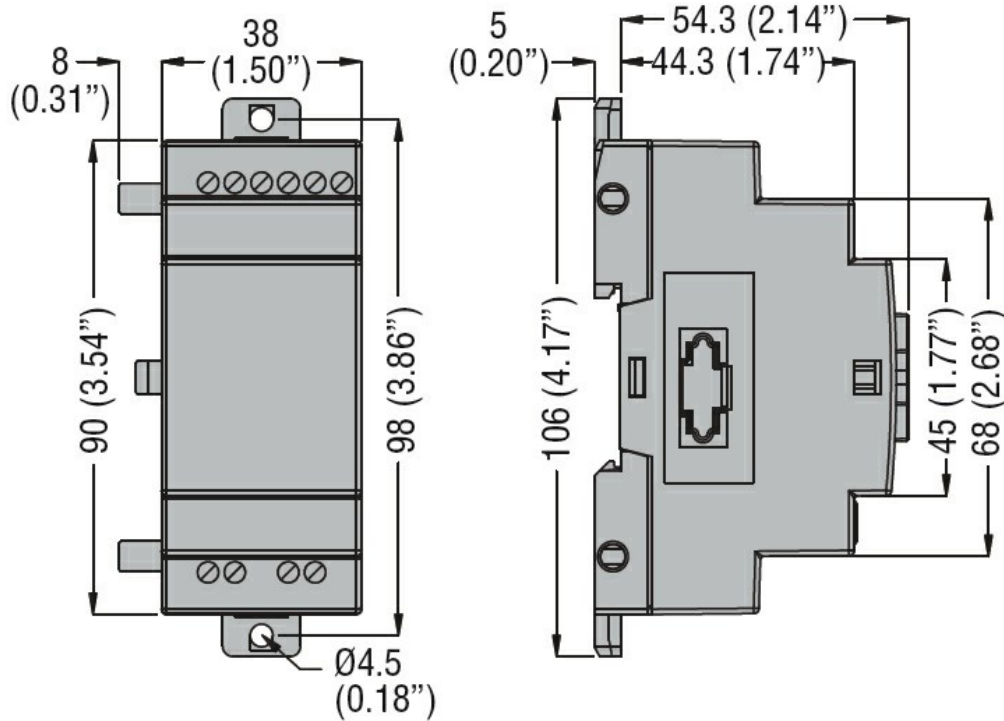
Housing

Mounting

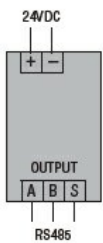
35mm DIN rail or screw fixing (M4x15mm)

Degree of protection		IP20
Dimensions (W x H x D)	mm	38 x 106 x 59.3
Weight	g	134

Dimensions



Wiring diagrams



Certifications and compliance

Compliance

CSA C22.2 n° 142

IEC/EN 61131-2

UL508

Certificates

cULus

EAC