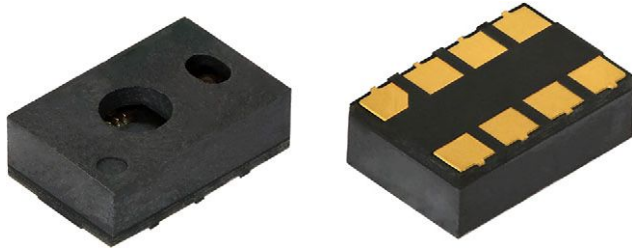


Proximity Sensor With VCSEL in Single Package, I²C Interface



DESCRIPTION

VCNL36687S integrates a proximity and a high power VCSEL (vertical-cavity surface-emitting laser) into one small package. It incorporates photodiodes, amplifiers, and analog to digital converting circuits into a single chip by CMOS process. PS programmable interrupt features of individual high and low thresholds offers the best utilization of resource and power saving on the microcontroller. With just 20 mA pulse current, the VCNL36687S can detect the Kodak Gray Card in a distance of 20 cm, where other sensors need 200 mA.

The 12 bits proximity sensing function uses an intelligent cancellation scheme, so that cross talk is eliminated effectively. To accelerate the PS response time, smart persistence prevents the misjudgment of proximity sensing but also allows for a fast response time. Active force mode, one time trigger by one instruction, is a feature offering more power saving.

PS functions are easily operated via the simple command format of I²C (SMBus compatible) interface protocol. Operating voltage ranges from 1.65 V to 1.95 V. VCNL36687S is packaged in a lead (Pb)-free 8 pin molding package, which offers the best market-proven reliability quality.

APPLICATIONS

- Proximity sensor especially for battery operated devices
- Mobile devices (e.g. smart phones, tablets) for touch screen locking, power saving etc.
- VR / AR headsets to detect if the headset has been put on or taken off

FEATURES

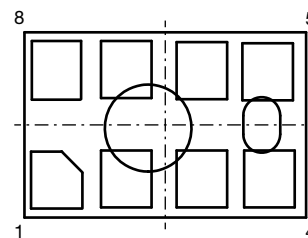
- Package type: surface-mount
- Dimensions (L x W x H in mm): 3.05 x 2 x 1.0
- Integrated modules: vertical cavity surface emitting laser (VCSEL), proximity sensor (PS), and signal conditioning IC
- Interrupt function
- Smallest light hole opening design
- Supply voltage range V_{DD} : 1.65 V to 1.95 V
- Communication via I²C interface
- I²C bus H-level range: 1.65 V to 3.6 V
- Floor life: 168 h, MSL 3, according to J-STD-020
- Material categorization: for definitions of compliance please see www.vishay.com/doc?99912



PROXIMITY FUNCTION

- Immunity to red glow (940 nm VCSEL)
- Programmable I_{VCSEL} sink current
- Intelligent cancellation to reduce cross talk phenomenon
- Smart persistence scheme to reduce PS response time
- 12 bits PS output data
- Programmable interrupt function for PS with upper and lower thresholds
- Adjustable persistence to prevent false triggers for PS

PIN DEFINITION



1	GND	5	VCSEL_C
2	V_{PP}	6	INT
3	V_{DD}	7	SDA
4	VCSEL_A	8	SCL

PRODUCT SUMMARY

PART NUMBER	OPERATING RANGE (mm)	OPERATING VOLTAGE RANGE (V)	I ² C BUS VOLTAGE RANGE (V)	VCSEL DRIVING CURRENT ⁽¹⁾ (mA)	OUTPUT CODE	ADC RESOLUTION PROXIMITY / AMBIENT LIGHT
VCNL36687S	200	1.65 to 1.95	1.65 to 3.6	20	12 bit, I ² C	12 bit / -

Note

⁽¹⁾ Base on VCSEL period = 8 ms, 16 ms, 32 ms, and 64 ms

ORDERING INFORMATION

ORDERING CODE	PACKAGING	VOLUME (1)	REMARKS
VCNL36687S	Tape and reel	MOQ: 2500 pcs, 2500 pcs/reel	3.05 mm x 2.0 mm x 1.0 mm

Note

(1) MOQ: minimum order quantity

ABSOLUTE MAXIMUM RATINGS ($T_{amb} = 25\text{ }^{\circ}\text{C}$, unless otherwise specified)

PARAMETER	TEST CONDITION	SYMBOL	MIN.	MAX.	UNIT
Supply voltage		V_{DD}	1.65	1.95	V
Operation temperature range		T_{amb}	-40	+85	$^{\circ}\text{C}$
Storage temperature range		T_{stg}	-40	+85	$^{\circ}\text{C}$

BASIC CHARACTERISTICS ($T_{amb} = 25\text{ }^{\circ}\text{C}$, unless otherwise specified)

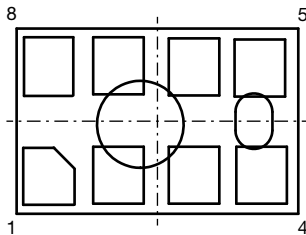
PARAMETER	TEST CONDITION	SYMBOL	MIN.	TYP.	MAX.	UNIT
Supply voltage		V_{DD}	1.65	1.8	1.95	V
		V_{PP}	1.65	1.8	1.95	V
Supply current	Excluding VCSEL driving	I_{DD}	-	160	-	μA
	Light condition = dark; $V_{DD} = 1.8\text{ V}$, $T_{amb} = 25\text{ }^{\circ}\text{C}$	$I_{DD}(\text{SD})$	-	0.5	-	μA
$I^2\text{C}$ supply voltage		$V_{PULL\ UP}$	1.65	1.8	3.6	V
$I^2\text{C}$ signal input, logic high	$V_{DD} = 1.8\text{ V}$	V_{IH}	1.26	-	-	V
$I^2\text{C}$ signal input, logic low	$V_{DD} = 1.8\text{ V}$	V_{IL}	-	-	0.73	V
Full PS counts	12-bit resolution		-	-	4095	steps
Operating temperature		T_{amb}	-40	-	+85	$^{\circ}\text{C}$
VCSEL driving voltage	(2)		2.68	-	4.8	V
VCSEL driving current	(1)		7	-	20	mA
PS view angle	(3)		-	60	-	$^{\circ}$

Notes

- (1) Base on VCSEL period = 8 ms, 16 ms, 32 ms, and 64 ms
 (2) Base on VCSEL current setting, VCSEL min. voltage need adjust, example as below

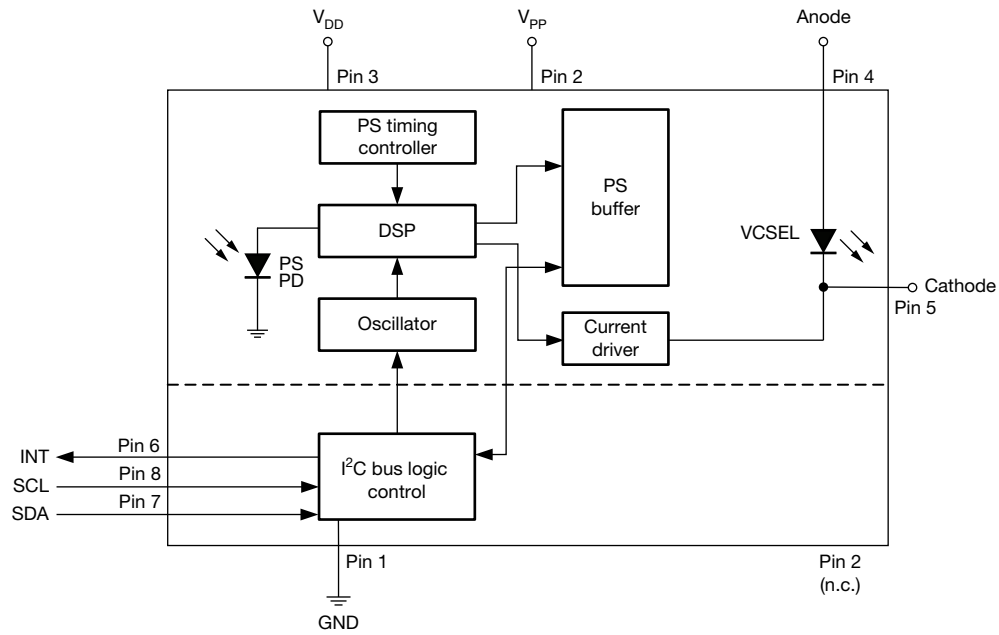
ILD	7 mA	11 mA	14 mA	17 mA	20 mA
VCSEL current setting, V_F	2.08 V	2.30 V	2.43 V	2.55 V	2.69 V
VCSEL min. voltage, V_{LD} ($V_{LD} = V_F + 0.6\text{ V}$)	2.68 V	2.90 V	3.03 V	3.15 V	3.29 V

- (3) Shows total view angle of X-axis (X-axis: $+10^{\circ}$ to -50° ; Y-axis: $\pm 45^{\circ}$)

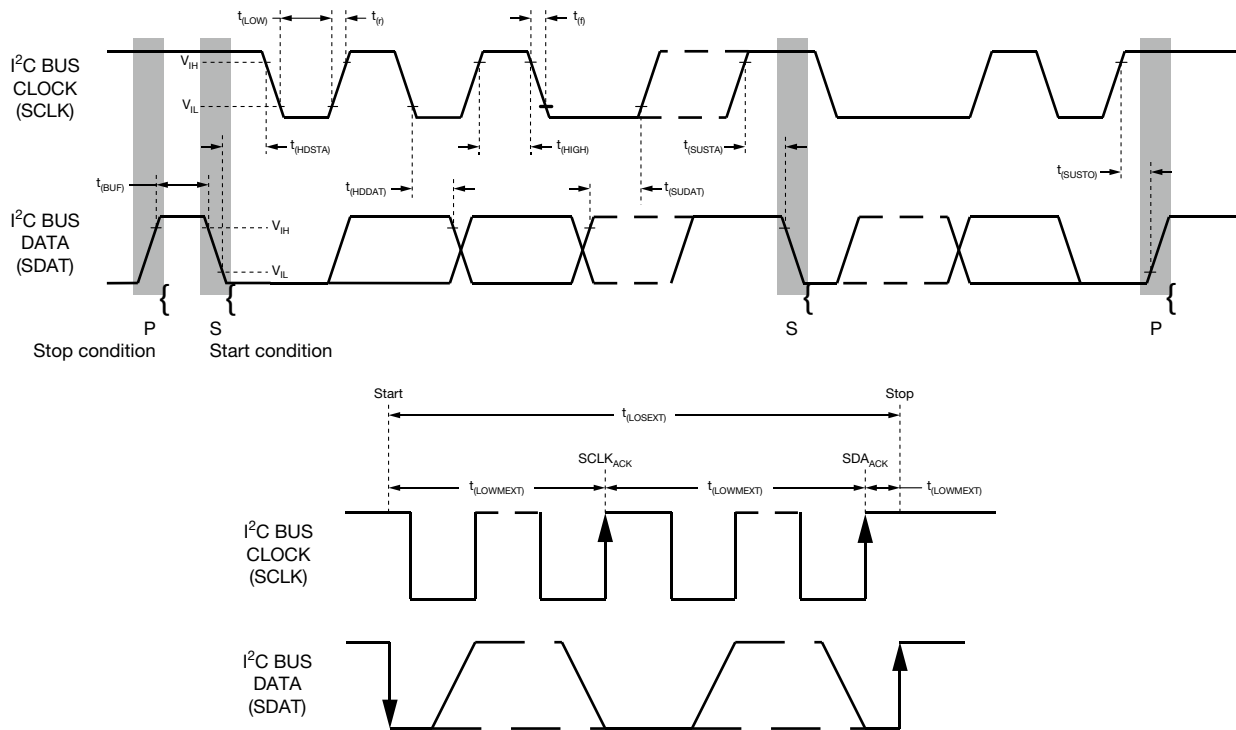




BLOCK DIAGRAM



I²C BUS TIMING CHARACTERISTICS ($T_{amb} = 25\text{ }^{\circ}\text{C}$, unless otherwise specified)						
PARAMETER	SYMBOL	STANDARD MODE		FAST MODE		UNIT
		MIN.	MAX.	MIN.	MAX.	
Clock frequency	$f_{(I2CCCLK)}$	10	100	10	400	kHz
Bus free time between start and stop condition	$t_{(BUF)}$	4.7	-	1.3	-	μs
Hold time after (repeated) start condition; after this period, the first clock is generated	$t_{(HDSTA)}$	4.0	-	0.6	-	μs
Repeated start condition setup time	$t_{(SUSTA)}$	4.7	-	0.6	-	μs
Stop condition setup time	$t_{(SUSTO)}$	4.0	-	0.6	-	μs
Data hold time	$t_{(HDDAT)}$	-	3450	-	900	ns
Data setup time	$t_{(SUDAT)}$	250	-	100	-	ns
I ² C clock (SCK) low period	$t_{(LOW)}$	4.7	-	1.3	-	μs
I ² C clock (SCK) high period	$t_{(HIGH)}$	4.0	-	0.6	-	μs
Clock / data fall time	$t_{(f)}$	-	300	-	300	ns
Clock / data rise time	$t_{(r)}$	-	1000	-	300	ns


 Fig. 1 - I²C Bus Timing Diagram

PARAMETER TIMING INFORMATION

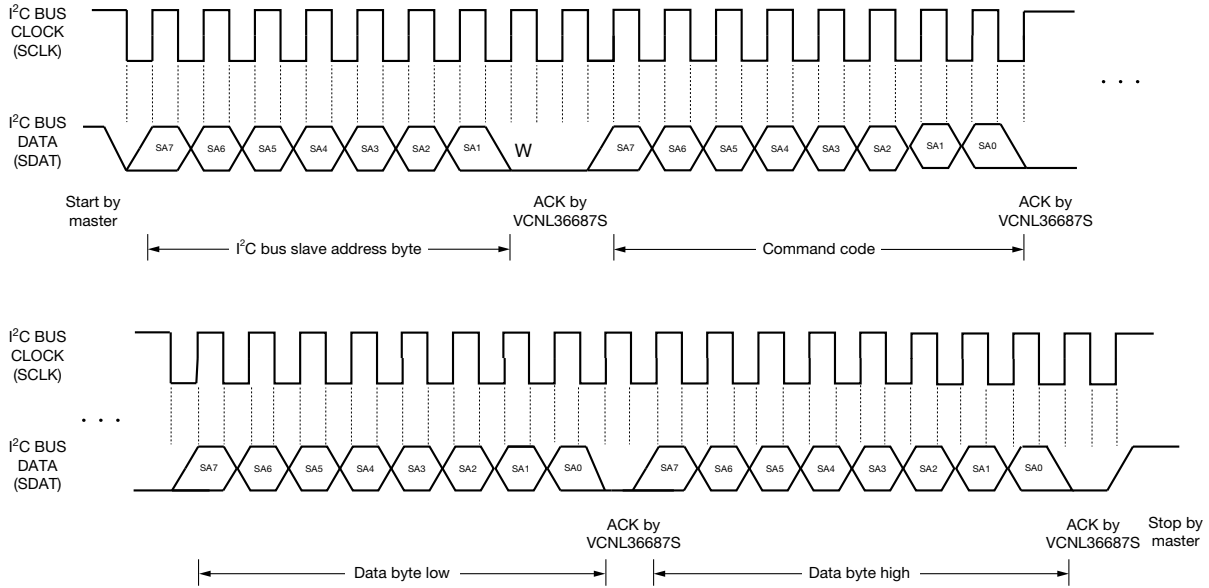


Fig. 2 - I²C Bus Timing for Sending Word Command Format

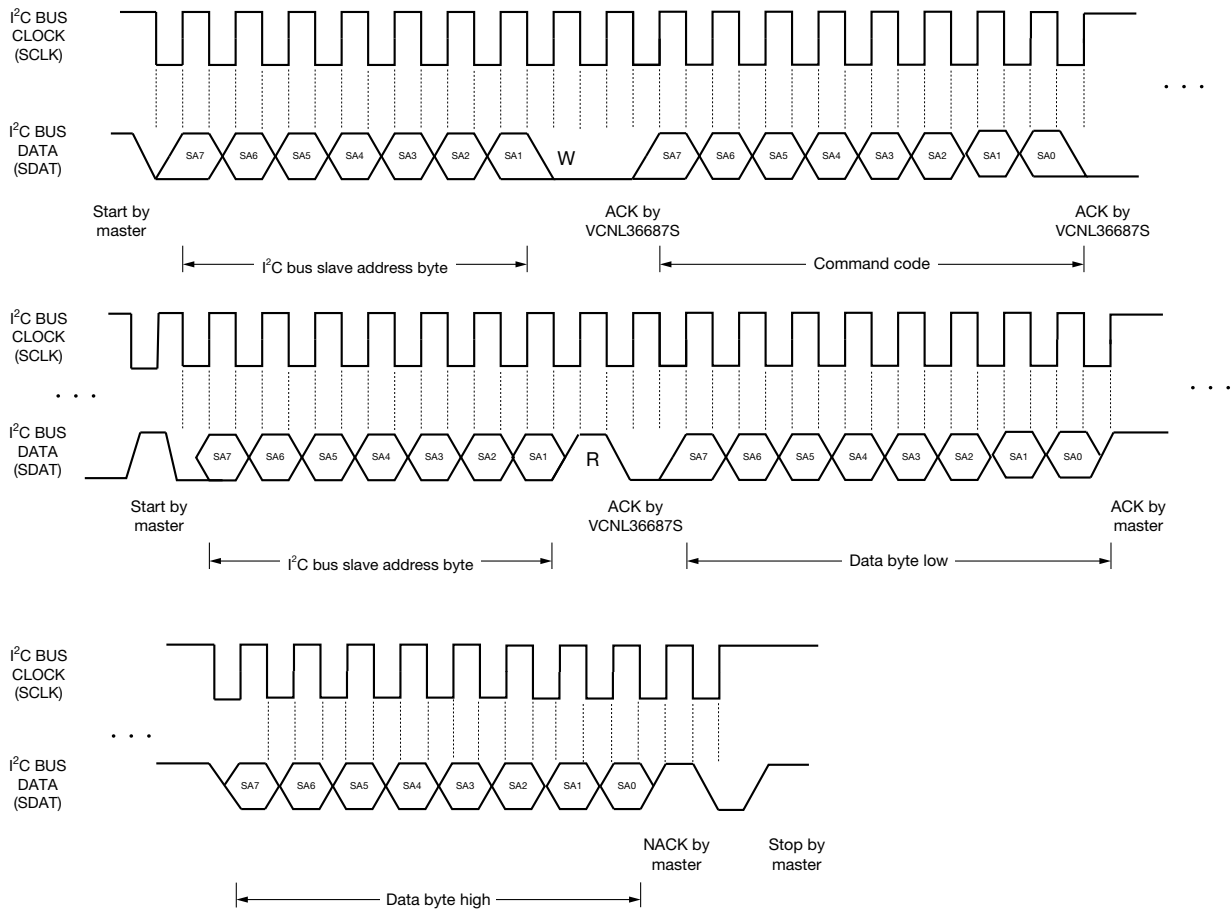


Fig. 3 - I²C Bus Timing for Receiving Word Command Format

TYPICAL PERFORMANCE CHARACTERISTICS ($T_{amb} = 25\text{ }^{\circ}\text{C}$, unless otherwise specified)

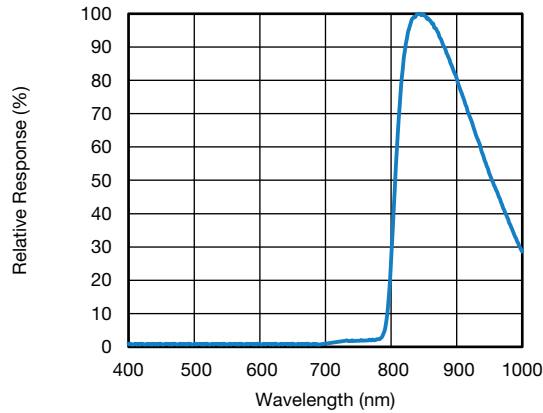


Fig. 4 - Normalized Spectral Response

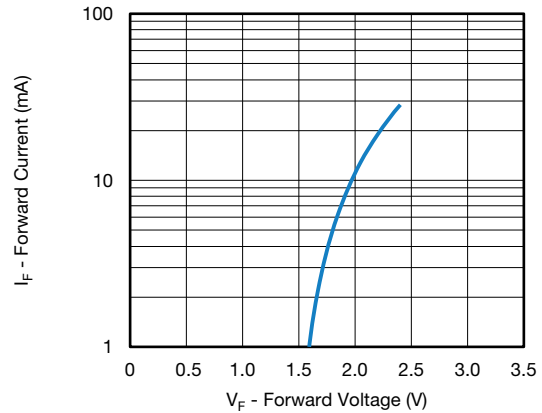


Fig. 5 - Forward Current vs. Forward Voltage

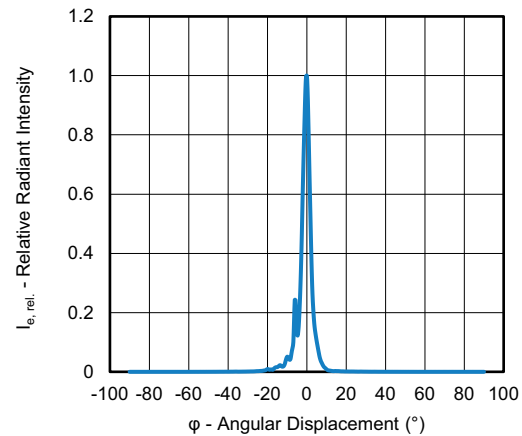
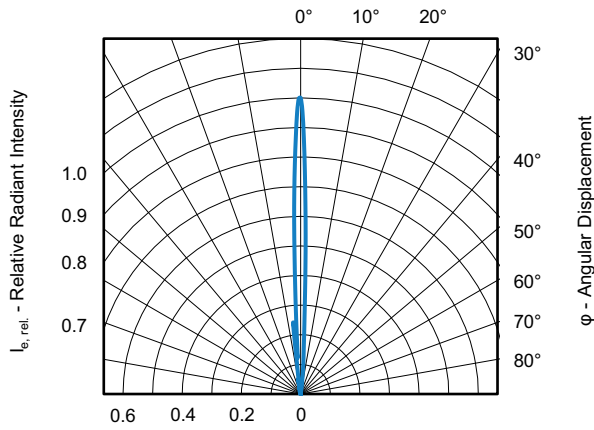


Fig. 6 - VCSEL Profile

VCNL36687S offers a high detection range already with very low pulse current of $\leq 20\text{ mA}$.

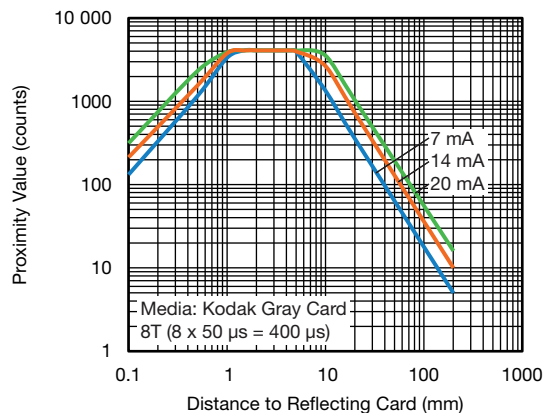


Fig. 7 - Proximity Value vs. Distance; PS_IT = 8T

For more information please study the application note “Designing the VCNL36687S Into an Application” (www.vishay.com/doc?84951)

APPLICATION INFORMATION

Pin Connection with the Host

VCNL36687S integrates proximity sensor and VCSEL all together with an I²C interface. It is easy for the baseband (CPU) to access PS output data via I²C interface without additional software algorithms. The hardware schematic is shown in the following diagram.

Two additional capacitors in the circuit can be used for the following purposes: (1) the 1 μF capacitor near the V_{DD} pin is used for power supply noise rejection, (2) the 1 μF capacitor is used to prevent the VCSEL voltage from instantly dropping when the VCSEL is turned on, and (3) 2.2 kΩ is suitable for the pull up resistor of I²C except for the 10 kΩ applied on the INT pin.

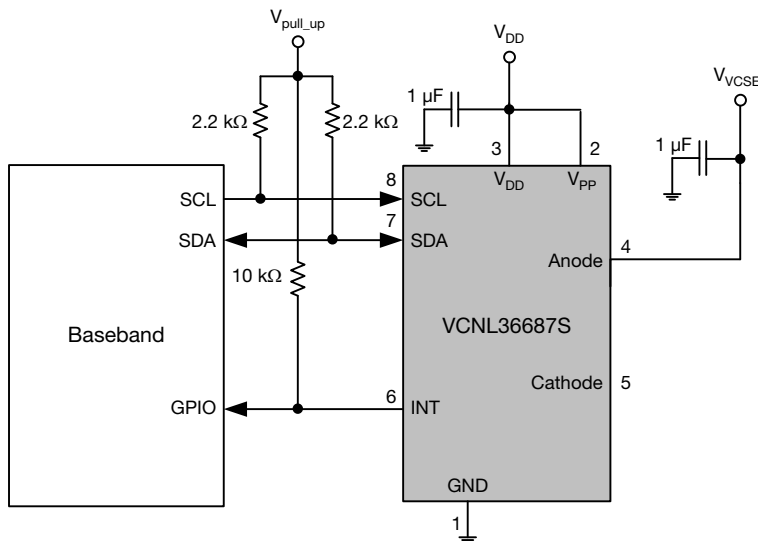


Fig. 8 - Hardware Pin Connection Diagram

Digital Interface

VCNL36687S applies single slave address 0x60 (HEX) of 7-bit addressing following I²C protocol. All operations can be controlled by the command register. The simple command structure helps users easily program the operation setting and latch the light data from VCNL36687S. As Fig. 9 shows, VCNL36687S's I²C command format is simple for read and write operations between VCNL36687S and the host. The white sections indicate host activity and the gray sections indicate VCNL36687S's acknowledgement of the host access activity. Write word and read word protocol is suitable for accessing registers particularly for 12-bit PS data. Interrupt can be cleared by reading data out from register: INT_Flag. All command codes should follow read word and write word protocols.

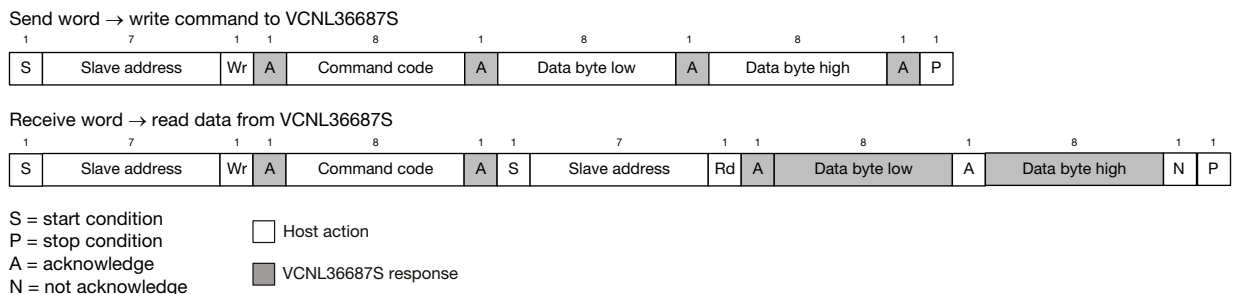


Fig. 9 - Write Word and Read Word Protocol



Function Description

For proximity sensor function, VCNL36687S supports different kinds of mechanical designs to achieve the best proximity detection performance for any color of object with more flexibility. The basic PS function settings, such as period, persistence, INT, and shut down are handled by the register: PS_CONF1. Period controls the PS response time. Integration time represents the duration of the energy being received. The Interrupt is asserted when the PS detection levels over the high threshold level setting (register: PS_THDH) or lower than low threshold (register: PS_THDL). If the Interrupt function is enabled, the host reads the PS output data from VCNL36687S that saves host loading from periodically reading PS data. More than that, INT flag (register: INT_Flag) indicates the behavior of INT triggered under different conditions. PS persistence (PS_PERS) sets up the PS INT asserted conditions as long as the PS output value continually exceeds the threshold level. The intelligent cancellation level can be set on register: PS_CANC to reduce the cross talk phenomenon.

VCNL36687S also supports easy use of proximity detection logic output mode that outputs just high / low levels saving loading from the host. Normal operation mode or proximity detection logic output mode can be selected on the register: PS_MS. A smart persistence is provided to get faster PS response time and prevent false trigger for PS. Descriptions of each slave address operation are shown in Table 1.

TABLE 1 - COMMAND CODE AND REGISTER DESCRIPTION					
COMMAND CODE	DATE BYTE LOW / HIGH	REGISTER NAME	R / W	DEFAULT VALUE	FUNCTION DESCRIPTION
0x03	L	PS_CONF1	R/W	0x01	PS period, persistence, INT and smart persistence and function selection
	H	PS_CONF2	R/W	0x00	PS IT and start selection
0x04	L	PS_CONF3	R/W	0x00	PS active force mode
	H	PS_CONF4	R/W	0x00	PS VCSEL current selection
0x05	L	PS_THDL_L	R/W	0x00	PS low interrupt threshold setting LSB byte
	H	PS_THDL_M	R/W	0x00	PS low interrupt threshold setting MSB byte
0x06	L	PS_THDH_L	R/W	0x00	PS high interrupt threshold setting LSB byte
	H	PS_THDH_M	R/W	0x00	PS high interrupt threshold setting MSB byte
0x07	L	PS_CANC_L	R/W	0x00	PS cancellation level setting
	H	PS_CANC_M	R/W	0x00	PS cancellation level setting
0x08	L	PS_CONF5	R/W	0x00	PS power on start setting
	H	Reserved	R/W	0x00	Reserved
0xF2	L	PS_Data_L	R	0x00	PS LSB output data
	H	PS_Data_M	R	0x00	PS MSB output data
0xF3	L	Reserved	R	0x00	Reserved
	H	INT_Flag	R	0x00	PS interrupt flags
0xF4	L	ID_L	R	0x88	Device ID LSB
	H	ID_M	R	0x05	Device ID MSB

Note

- All of reserved register are used for internal test. Please keep as default setting

**Command Register Format**

VCNL36687S provides an 8-bit command register for PS controlling independently. The description of each command format is shown in the following tables.

TABLE 2 - REGISTER: PS_CONF1 DESCRIPTION		
REGISTER NAME		COMMAND CODE: 0x03_L (0x00 DATA BYTE LOW)
Command	Bit	Description
PS_Period	7 : 6	(0 : 0) = 8 ms, (0 : 1) = 16 ms, (1 : 0) = 32 ms, (1 : 1) = 64 ms PS sample period setting
PS_PERS	5 : 4	(0 : 0) = 1, (0 : 1) = 2, (1 : 0) = 3, (1 : 1) = 4 PS interrupt persistence setting
PS_INT	3 : 2	(0 : 0) = interrupt disable, (0 : 1) = interrupt disable, (1 : 0) = interrupt enable, (1 : 1) = trigger by logic high / low mode
PS_SMART_PERS	1	0 = disable ; 1 = enable PS smart persistence
PS_SD	0	0 = PS power on, 1 = PS shut down, default = 1

TABLE 3 - REGISTER: PS_CONF2 DESCRIPTION		
		COMMAND CODE: 0x03_H (0x03 DATA BYTE HIGH)
Command	Bit	Description
PS_IT	7 : 6	(0 : 0) = 1T, (0 : 1) = 2T, (1 : 0) = 4T, (1 : 1) = 8T
PS_MPS	5 : 4	(0 : 0) = 1, (0 : 1) = 2, (1 : 0) = 4, (1 : 1) = 8; PS multi-pulse setting
PS_ITB	3	0 = 25 μ s, 1 = 50 μ s, PS IT bank setting
Reserved	2 : 0	Default = 0

TABLE 4 - REGISTER: PS_CONF3 DESCRIPTION		
		COMMAND CODE: 0x04_L (0x04 DATA BYTE LOW)
Register	Bit	Description
Reserved	7	0
PS_AF	6	0 = auto mode; 1 = force mode
PS_FOR_Trig	5	0 = no PS active force mode trigger, 1 = trigger one time cycle VCNL36687S output one cycle data every time host writes in "1" to sensor. The state returns to "0" automatically.
Reserved	4	0
Reserved	3 : 0	(0 : 0 : 0 : 0)

TABLE 5 - REGISTER: PS_CONF4 DESCRIPTION		
		COMMAND CODE: 0x04_H (0x04 DATA BYTE HIGH)
Register	Bit	Description
PS_SC_EN	7	0 = turn off sunlight cancel; 1 = turn on sunlight cancel; PS sunlight cancel function enable setting
PS_SC_CUR	6 : 5	(0 : 0) = 1 x typical sunlight cancel current, (0 : 1) = 2 x typical sunlight cancel current, (1 : 0) = 4 x typical sunlight cancel current, (1 : 1) = 8 x typical sunlight cancel current
PS_HD	4	0 = PS output is 12 bits, 1 = PS output is 16 bits
Reserved	3	0
VCSEL_I	2 : 0	(0 : 0 : 0) = 7 mA; (0 : 0 : 1) = 11 mA; (0 : 1 : 0) = 14 mA; (0 : 1 : 1) = 17 mA; (1 : 0 : 0) = 20 mA; VCSEL current selection setting

**TABLE 6 - REGISTER: PS_THDL_L AND PS_THDL_M DESCRIPTION**

COMMAND CODE: 0x05_L (0x05 DATA BYTE LOW) AND 0x05_H (0x05 DATA BYTE HIGH)		
Command	Bit	Description
PS_THDL_L	7 : 0	0x00 to 0xFF, PS interrupt low threshold setting_LSB byte
PS_THDL_M	7 : 0	0x00 to 0x0F, PS interrupt low threshold setting_MSB byte

TABLE 7 - REGISTER: PS_THDH_L AND PS_THDH_M DESCRIPTION

COMMAND CODE: 0x06_L (0x06 DATA BYTE LOW) AND 0x06_H (0x06 DATA BYTE HIGH)		
Command	Bit	Description
PS_THDH_L	7 : 0	0x00 to 0xFF, PS interrupt high threshold setting_LSB byte
PS_THDH_M	7 : 0	0x00 to 0x0F, PS interrupt high threshold setting_MSB byte

TABLE 8 - REGISTER: PS_CANC_L AND PS_CANC_M DESCRIPTION

COMMAND CODE: 0x07_L (0x07 DATA BYTE LOW) AND 0x07_H (0x07 DATA BYTE HIGH)		
Command	Bit	Description
PS_CANC_L	7 : 0	0x00 to 0xFF, PS cancellation level setting_LSB byte
PS_CANC_M	7 : 0	0x00 to 0x0F, PS MSB cancellation level setting_MSB byte

TABLE 9 - REGISTER: PS_CONF5 DESCRIPTION

COMMAND CODE: 0x08_L (0x08 DATA BYTE LOW) AND 0x08_H (0x08 DATA BYTE HIGH)		
Register	Bit	Description
Reserved_L	7 : 1	Reserved
POR_S	0	When use PS function, must write "1"
Reserved_M	7 : 0	Reserved

TABLE 10 - READ OUT REGISTER DESCRIPTION

Register	Command Code	Bit	Description
PS_Data_L	0xF2_L (0xF2 data byte low)	7 : 0	0x00 to 0xFF, PS LSB output data
PS_Data_M	0xF2_H (0xF2 data byte high)	7 : 0	3 : 0 PS output code 6 : 4 reserved 7 : "0" Normal output, "1" enter sunlight protection mode PS_Data_L= 00000000 PS_Data_M= 1000000
Reserved	0xF3_L (0xF3 data byte low)	7 : 0	Default = 0x00
INT_Flag	0xF3_H (0xF3 data byte high)	7 6 5 4 3 2 1 0	Reserved Reserved Reserved PS_SPFLAG, PS entering protection mode Reserved Reserved PS_IF_CLOSE, PS rises above PS_THDH INT trigger event PS_IF_AWAY, PS drops below PS_THDL INT trigger event
ID_L	0xF4_L (F4H data byte low)	7 : 0	88H for MP version sample Device ID LSB byte
ID_M	0xF4_H (F4H data byte high)	7 : 6 5 : 4 3 : 0	(0 : 0) (0 : 0) slave address = 0x60 Version code (0 : 1 : 0 : 1); device ID MSB byte

Initialization

VCNL36687S includes default values for each register. As long as power is on, it is ready to be controlled by host via I²C bus.



Threshold Window Setting

- Programmable PS Threshold
VCNL36687S provides both high and low thresholds 12-bit data setting for PS (register: PS_THDL, PS_THDH).
- PS Persistence
The PS persistence function (PS_PERS, 1\2\3\4) helps to avoid false trigger of the PS INT. For example, if PS_PERS = 3 times, the PS INT will not be asserted unless the PS value is greater than the PS threshold (PS_THDH) value for three periods of time continuously
- PS Active Force Mode
An extreme power saving way to use PS is to apply PS active force (register: PS_CONF3 command: PS_AF = 1) mode. Anytime host would like to read out just one of PS data, write in "1" at register: PS_CONF3 command: PS_FOR_Trig. Without commands placed, there is no PS data output. VCNL36687S stays in standby mode constantly
- PS Detection Object
Any color of object is detectable by VCNL36687S

Data Access

For PS data reading, it has to apply two bytes. One byte is for LSB, and the other byte is for MSB (4 bits) as shown in Table 11.

TABLE 11 - VCNL36687S 12-BIT PS DATA FORMAT																
VCNL36687S																
Bit	15	14	13	12	11	10	9	8	7	6	5	4	3	2	1	0
Register	Bit 15: "0" normal operation, "1" enter sunlight protection mode, PS output = 10000000000000(32768)				PS_DataM				PS_DataL							

Intelligent Cancellation

VCNL36687S provides an intelligent cancellation method to reduce cross talk for the proximity sensor. The output data will be subtracted by the input value stored in register: PS_CANC.

Interruption (INT)

VCNL36687S has PS interrupt feature operated by a single pin "INT". The purpose of the interrupt feature is to actively inform the host once INT has been asserted. With the interrupt function applied, the host does not need to be constantly pulling data from the sensor, but to read data from the sensor while receiving interrupt request from the sensor.

Interruption Flag

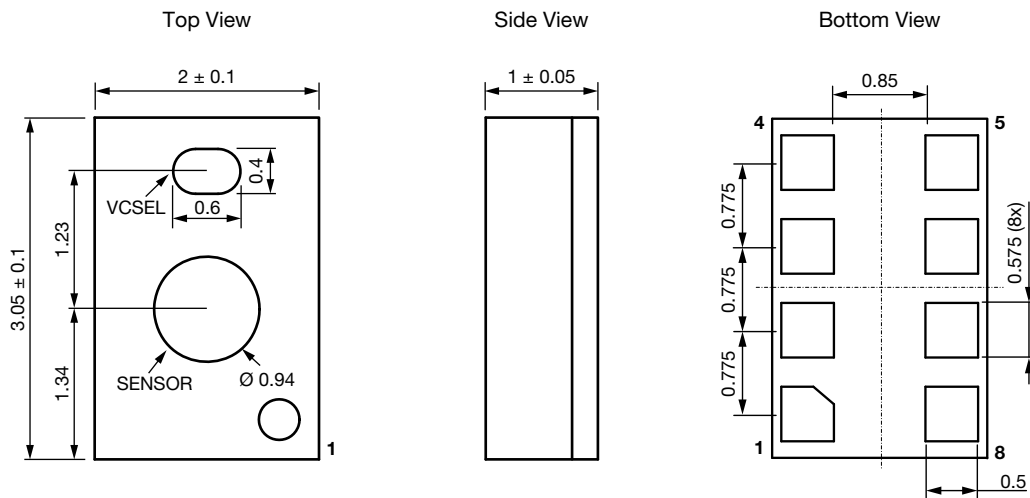
Register: INT_Flag represents all of interrupt trigger status for PS. Any flag value changes from "0" to "1" state, the level of INT pin will be pulles low. As long as host reads INT_Flag data, the bit will change from "1" state to "0" state after reading out, the INT level will be returned to high afterwards.

PROXIMITY DETECTION LOGIC OUTPUT MODE

VCNL36687S provides a proximity detection logic output mode that uses INT pin (pin 6) as a proximity detection logic high / low output (register: PS_INT = 3). When this mode is selected, the PS output (pin 6; INT/P_OUT) is pulled low when an object is closing to be detected and returned to level high when the object moves away. Register: PS_THDHL defines how sensitive PS detection is.

PROXIMITY DETECTION HYSTERESIS

A PS detection hysteresis is important that keeps PS state in a certain range of detection distance. For example, PS INT asserts when PS value over PS_THDH. Host switches off panel backlight and then clears INT. When PS value is less than PS_THDL, Host switches on panel backlight. Any PS value lower than PS_THDH or higher than PS_THDL, PS INT will not be asserted. Host does keep the same state.

PACKAGE INFORMATION


1	GND	5	VCSEL_C
2	V _{PP}	6	INT
3	V _{DD}	7	SDA
4	VCSEL_A	8	SCL

Fig. 10 - VCNL36687S Package Dimensions

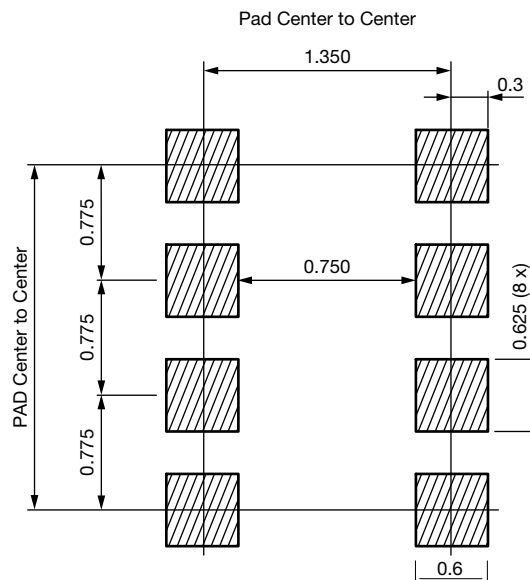
LAYOUT PAD INFORMATION


Fig. 11 - VCNL36687S PCB Layout Footprint

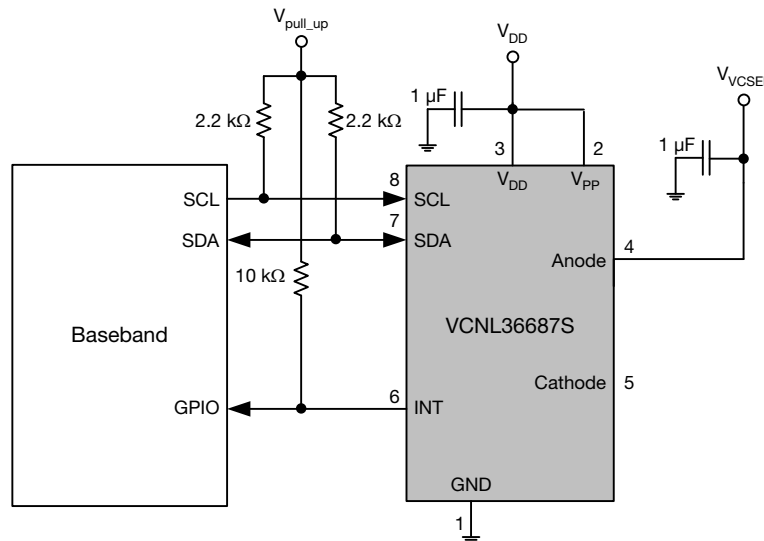
APPLICATION CIRCUIT BLOCK REFERENCE


Fig. 12 - VCNL36687S Application Circuit (normal operation with interrupt function)

RECOMMENDED STORAGE AND REBAKING CONDITIONS				
PARAMETER	CONDITIONS	MIN.	MAX.	UNIT
Storage temperature		5	50	°C
Relative humidity		-	60	%
Open time		-	168	h
Total time	From the date code on the aluminized envelope (unopened)	-	12	months
Rebaking	Tape and reel: 60 °C	-	22	h
	Tube: 60 °C	-	22	h

RECOMMENDED INFRARED REFLOW

Soldering conditions which are based on J-STD-020 C

IR REFLOW PROFILE CONDITION			
PARAMETER	CONDITIONS	TEMPERATURE	TIME
Peak temperature		260 °C + 5 °C / - 5 °C (max.: 265 °C)	10 s
Preheat temperature range and timing		150 °C to 200 °C	60 s to 180 s
Timing within 5 °C to peak temperature		-	10 s to 30 s
Timing maintained above temperature / time		217 °C	60 s to 150 s
Timing from 25 °C to peak temperature		-	8 min (max.)
Ramp-up rate		3 °C/s (max.)	-
Ramp-down rate		6 °C/s (max.)	-

Recommend Normal Solder Reflow is 235 °C to 265 °C



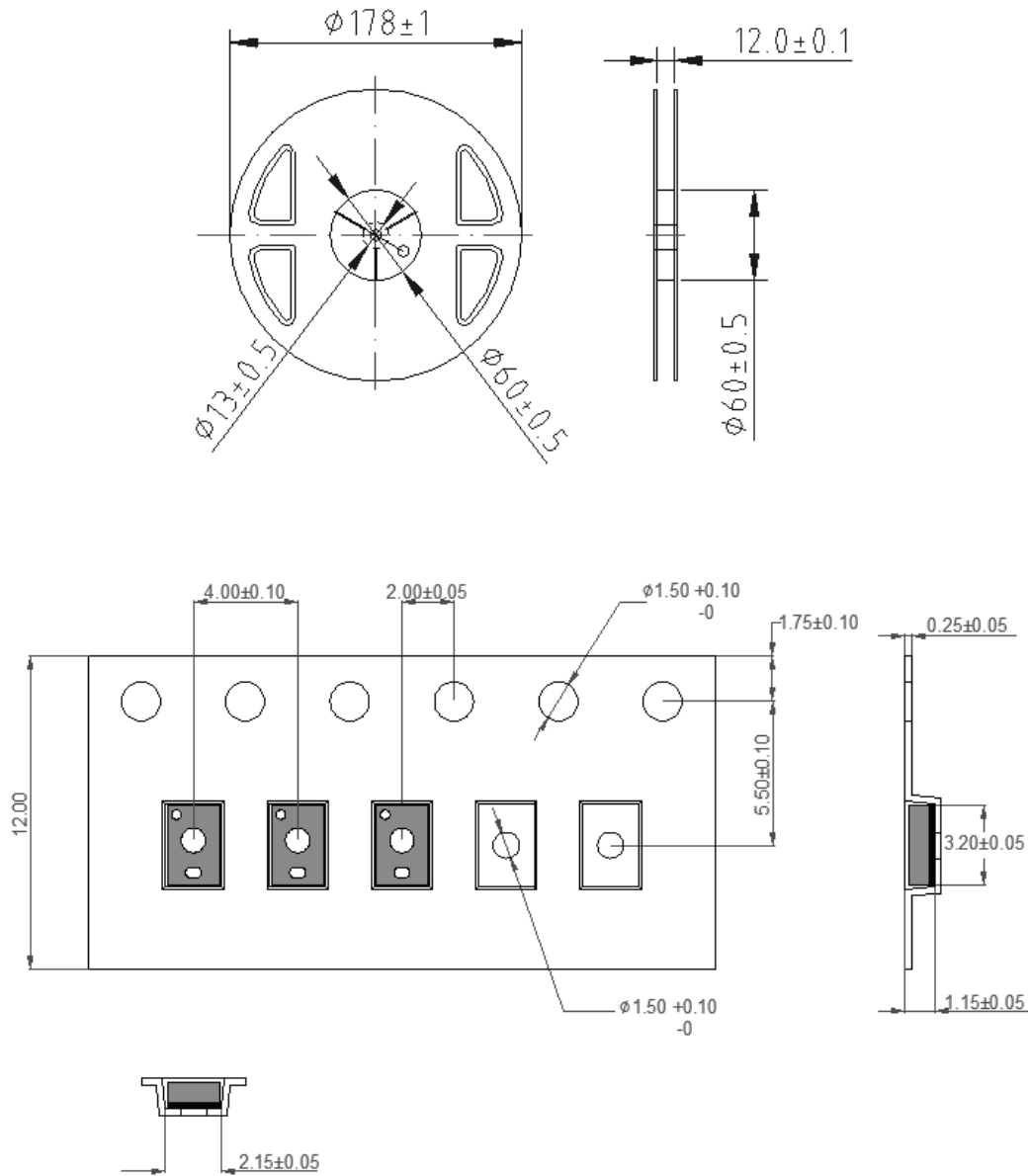
Fig. 13 - VCNL36687S Solder Reflow Profile Chart

RECOMMENDED IRON TIP SOLDERING CONDITION AND WARNING HANDLING

1. Solder the device with the following conditions:
 - 1.1. Soldering temperature: 400 °C (max.)
 - 1.2. Soldering time: 3 s (max.)
2. If the temperature of the method portion rises in addition to the residual stress between the leads, the possibility that an open or short circuit occurs due to the deformation or destruction of the resin increases
3. The following methods: VPS and wave soldering, have not been suggested for the component assembly
4. Cleaning method conditions:
 - 4.1. Solvent: methyl alcohol, ethyl alcohol, isopropyl alcohol
 - 4.2. Solvent temperature < 45 °C (max.)
 - 4.3. Time: 3 min (min.)



TAPE PACKAGING INFORMATION in millimeters





Disclaimer

ALL PRODUCT, PRODUCT SPECIFICATIONS AND DATA ARE SUBJECT TO CHANGE WITHOUT NOTICE TO IMPROVE RELIABILITY, FUNCTION OR DESIGN OR OTHERWISE.

Vishay Intertechnology, Inc., its affiliates, agents, and employees, and all persons acting on its or their behalf (collectively, "Vishay"), disclaim any and all liability for any errors, inaccuracies or incompleteness contained in any datasheet or in any other disclosure relating to any product.

Vishay makes no warranty, representation or guarantee regarding the suitability of the products for any particular purpose or the continuing production of any product. To the maximum extent permitted by applicable law, Vishay disclaims (i) any and all liability arising out of the application or use of any product, (ii) any and all liability, including without limitation special, consequential or incidental damages, and (iii) any and all implied warranties, including warranties of fitness for particular purpose, non-infringement and merchantability.

Statements regarding the suitability of products for certain types of applications are based on Vishay's knowledge of typical requirements that are often placed on Vishay products in generic applications. Such statements are not binding statements about the suitability of products for a particular application. It is the customer's responsibility to validate that a particular product with the properties described in the product specification is suitable for use in a particular application. Parameters provided in datasheets and / or specifications may vary in different applications and performance may vary over time. All operating parameters, including typical parameters, must be validated for each customer application by the customer's technical experts. Product specifications do not expand or otherwise modify Vishay's terms and conditions of purchase, including but not limited to the warranty expressed therein.

Hyperlinks included in this datasheet may direct users to third-party websites. These links are provided as a convenience and for informational purposes only. Inclusion of these hyperlinks does not constitute an endorsement or an approval by Vishay of any of the products, services or opinions of the corporation, organization or individual associated with the third-party website. Vishay disclaims any and all liability and bears no responsibility for the accuracy, legality or content of the third-party website or for that of subsequent links.

Except as expressly indicated in writing, Vishay products are not designed for use in medical, life-saving, or life-sustaining applications or for any other application in which the failure of the Vishay product could result in personal injury or death. Customers using or selling Vishay products not expressly indicated for use in such applications do so at their own risk. Please contact authorized Vishay personnel to obtain written terms and conditions regarding products designed for such applications.

No license, express or implied, by estoppel or otherwise, to any intellectual property rights is granted by this document or by any conduct of Vishay. Product names and markings noted herein may be trademarks of their respective owners.