

Data sheet | Item number: 879-3000

Energy meter (MID); for direct connection; 65A; 3x230/400V; 50Hz; Modbus®
& M-Bus; 2 x S0 interface; 4PU



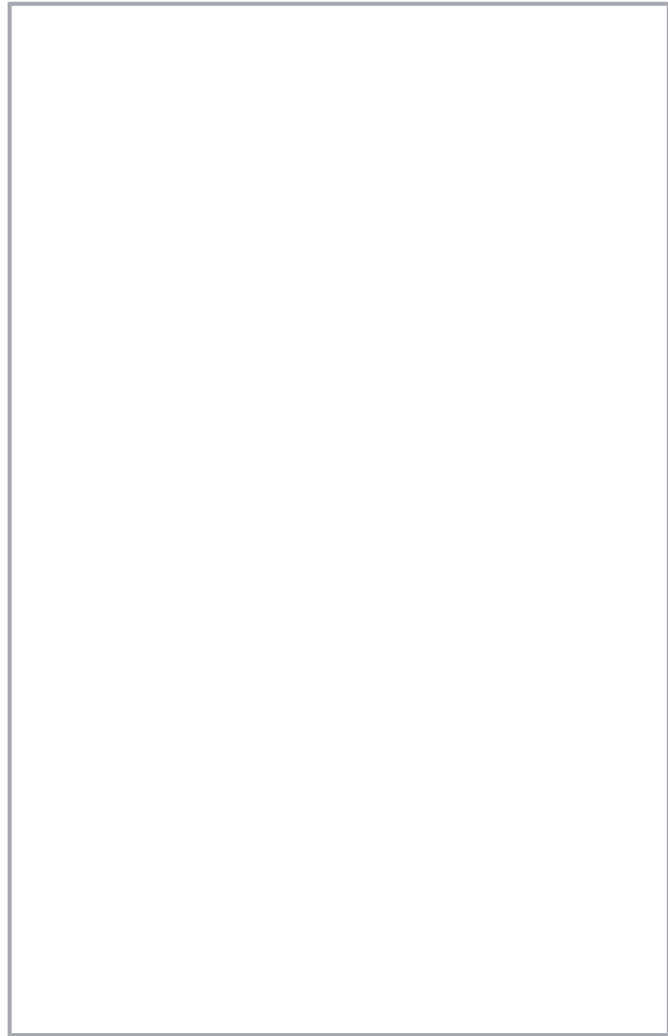
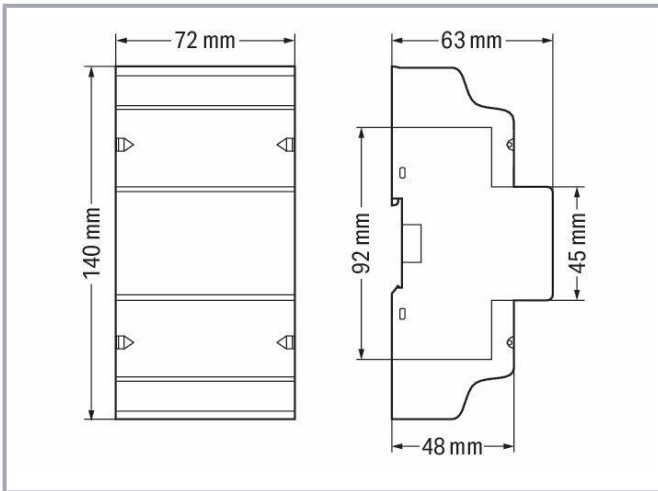
www.wago.com/879-3000



Subject to changes. Please also observe the further product documentation!

WAGO GmbH & Co. KG
Hansastr. 27
32423 Minden
Phone: +49571 887-0 | Fax: +49571 887-169
Email: info.de@wago.com | Web: www.wago.com

Do you have any questions about our products?
We are always happy to take your call at +49 (571) 887-44222.



Item description

Short description:

Comprehensive energy measurement is necessary for optimizing energy consumption. WAGO's portfolio now has new energy meters that offer numerous benefits. They use the push-in connection technology with a lever, making them connect quickly and easily. The devices have a width of just 72 mm for direct measurement. These slim profiles save a tremendous amount of control cabinet space. In addition to the values for active and reactive energy, the energy meters also record the mains frequency, as well as current, voltage and power for all phases. And the user can conveniently scan all of these energy characteristics at a glance on a large, illuminated display.

Features:

- Push-in CAGE CLAMP® and lever save time at every stage
- Real space savings: 72 mm wide (4PU)
- Measurement of supply and purchase
- Energy measurement in four tariffs

Subject to changes. Please also observe the further product documentation!

WAGO GmbH & Co. KG

Hansastr. 27

32423 Minden

Phone: +49571 887-0 | Fax: +49571 887-169

Email: info.de@wago.com | Web: www.wago.com

Do you have any questions about our products?

We are always happy to take your call at +49 (571) 887-44222.



- The communications pro: M-Bus/Modbus[®] interface and two S0 pulse outputs
- Full transparency at a glance: display energy quality characteristics on an illuminated full-format display
- Intuitive configuration: touch-sensitive controls and configuration app via *Bluetooth*[®]

Data

Technical data

Configuration

Configuration options	Touch-sensitive controls Configuration app via <i>Bluetooth</i> [®]
-----------------------	---

Input

Input signal type	Voltage Current
Network configuration	Two-wire, three-wire and four-wire networks
Nominal input voltage $U_{i\text{nom}}$	3 x AC 230 ... 400 V
Input voltage range	±20 %
Reference current I_{ref}	5 A
Input current I_i	≤ 65 A
Frequency range	45 ... 60 Hz

Communication

Communication	Modbus [®] M-Bus <i>Bluetooth</i> [®]
Interface	RS-485 (2-wire); 2x S0 interfaces (configurable)
Rate control input	230 VAC
Indicators	LCD with backlight

Signal processing

Measured variables (calculated)	Active and reactive energy in supply and reference direction
Measurement type (load profile)	No

Subject to changes. Please also observe the further product documentation!



Measurement error

Accuracy class	Class B (= 1 % error); Active energy per EN 50470-3
Calibration validity period	8 years

Supply

Power supply type	Via measurement circuit
Power consumption P_{\max} (phase; active power)	2 W
Power consumption P_{\max} (phase; apparent power)	10 VA

Safety and protection

Dielectric strength	4 kV; 1 min
Impulse withstand voltage (1.2/50 μ s)	6 kV
Pollution degree	2
Protection type	IP51 / IP20
Note on protection type	IP51 (front side); IP20 (connection)
Protection class	II

Connection data

Connection type 1	Voltage/current
Connection technology	Push-in CAGE CLAMP®
WAGO connector	WAGO 2616 Series
Actuation type	Lever
Solid conductor	0.75 ... 16 mm ² / 18 ... 4 AWG
Fine-stranded conductor	0.75 ... 25 mm ² / 18 ... 4 AWG
Fine-stranded conductor; with insulated ferrule	0.75 ... 16 mm ²
Fine-stranded conductor; with uninsulated ferrule	0.75 ... 16 mm ²
Strip length	18 ... 20 mm / 0.71 ... 0.79 inches
Connection type 2	Communication/rate control input
Connection technology 2	Push-in CAGE CLAMP®
WAGO connector 2	WAGO 2604 Series
Actuation type 2	Lever
Solid conductor 2	0.2 ... 4 mm ² / 24 ... 12 AWG
Fine-stranded conductor 2	0.2 ... 4 mm ² / 24 ... 12 AWG
Fine-stranded conductor; with insulated ferrule 2	0.25 ... 2.5 mm ²

Subject to changes. Please also observe the further product documentation!



Fine-stranded conductor; with uninsulated ferrule 2	0.25 ... 2.5 mm ²
Strip length 2	9 ... 11 mm / 0.35 ... 0.43 inches

Physical data

Width	72 mm / 2.835 inches
Height	140 mm / 5.512 inches
Depth	63 mm / 2.48 inches
Note (dimensions)	Height without cover: 92 mm

Mechanical data

Mounting type	DIN-35 rail
---------------	-------------

Material data

Housing material	PC 940A
Weight	280 g

Environmental requirements

Ambient temperature (operation)	-40 ... +70 °C
Relative humidity	≤ 75% (during storage ≤ 95 %)

Standards and specifications

Conformity marking	CE
Standards/specifications	EN 50470-1/3 MID-compliant

Commercial data

ETIM 8.0	EC002048
ETIM 7.0	EC002048
PU (SPU)	1 Pieces
Country of origin VKOrg Germany	CN
GTIN	4066966125405
Customs tariff number VKOrg Germany	90283019000

Downloads

Documentation

Manual

Subject to changes. Please also observe the further product documentation!



WAGO Energy Meters (MID) 4PS / 4PU /2PU CT	V 1.6 2022 年4月28 日	pdf 3.1 MB	Download
---	-----------------------	---------------	----------

Bid Text

879-3000 X81 - Datei		xml 6.8 kB	Download
-------------------------	--	---------------	----------

879-3000 docx - Datei		docx 26.0 kB	Download
--------------------------	--	-----------------	----------

ausschreiben.de 879-3000		URL	Download
--------------------------	--	-----	----------

Instruction Leaflet

Energy consumption meter	V 1.15 2022 年2月16 日	pdf 956.8 kB	Download
--------------------------	------------------------	-----------------	----------

Application Notes

Application Note e!COCKPIT

e!COCKPIT Application Note WagoAppPowerMeasurement	2021-11-08	pdf	Download
This Application Note describes the use of the library WagoAppPowerMeasurement under different boundary conditions.	2021 年12月6 日	953.0 kB	

Libraries

e!COCKPIT libraries

e!COCKPIT Library Description WagoAppPowerMeasurement	1.7.4.0 2021 年5月25 日	pdf 1.4 MB	Download
---	-------------------------	---------------	----------

CAD/CAE-Data

CAD data

2D/3D Models 879-3000		URL	Download
-----------------------	--	-----	----------

CAE data

ZUKEN Portal 879-3000		URL	Download
-----------------------	--	-----	----------

Subject to changes. Please also observe the further product documentation!

WAGO GmbH & Co. KG
Hansastr. 27
32423 Minden
Phone: +49571 887-0 | Fax: +49571 887-169
Email: info.de@wago.com | Web: www.wago.com

Do you have any questions about our products?
We are always happy to take your call at +49 (571) 887-44222.



Environmental Product Compliance

Compliance Search

Environmental Product Compliance 879-3000

URL

Download

Energy meter (MID); for direct connection; 65A; 3x230/400V; 50Hz; Modbus® & M-Bus; 2 x S0 interface; 4PU

Installation Notes

Subject to changes. Please also observe the further product documentation!

WAGO GmbH & Co. KG

Hansastr. 27

32423 Minden

Phone: +49571 887-0 | Fax: +49571 887-169

Email: info.de@wago.com | Web: www.wago.com

Do you have any questions about our products?

We are always happy to take your call at +49 (571) 887-44222.