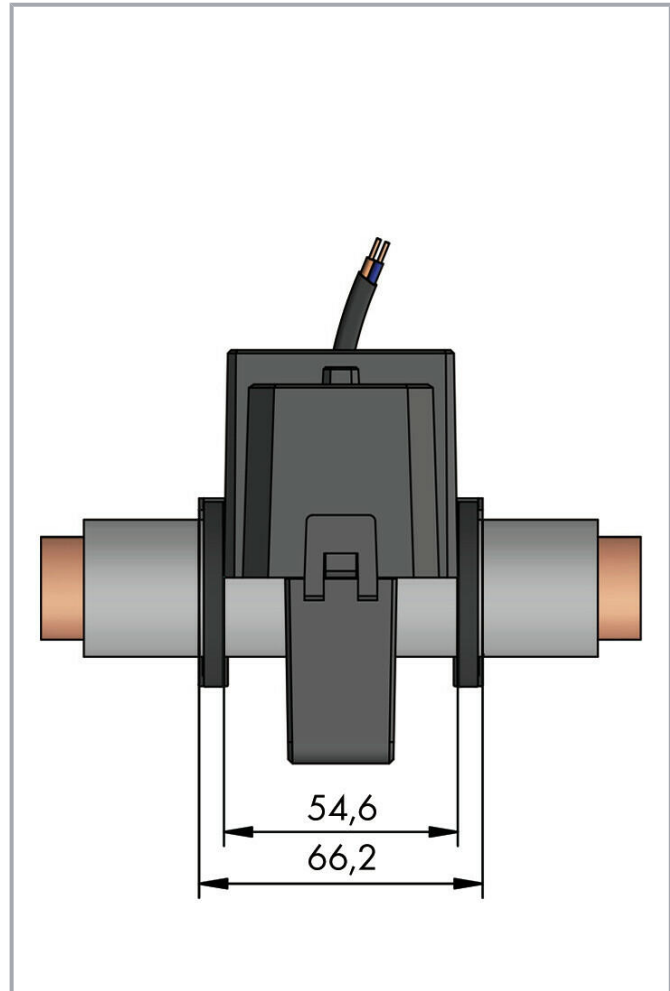


Data sheet | Item number: 855-5005/500-001

Split-core current transformer; Primary rated current: 500 A; Secondary rated current: 5 A; Rated power: 0.5 VA; Accuracy class: 1



[www.wago.com/855-5005/500-001](http://www.wago.com/855-5005/500-001)



 Picture differs from the item.

Subject to changes. Please also observe the further product documentation!

WAGO GmbH & Co. KG  
Hansastr. 27  
32423 Minden  
Phone: +49571 887-0 | Fax: +49571 887-169  
Email: [info.de@wago.com](mailto:info.de@wago.com) | Web: [www.wago.com](http://www.wago.com)

Do you have any questions about our products?  
We are always happy to take your call at +49 (571) 887-44222.



## Item description

### Short description:

WAGO's compact split-core current transformers are ideal for retrofitting existing systems. They are perfect for applications in which the current path must not be disrupted. The transformer's accuracy permits extremely precise current measurements. The split-core current transformers are capable of supplying the specified rated power at the end of the secondary cable. All transformers are supplied with color-coded cables. Two UV-resistant cable ties are also included for secure and easy mounting.

### Features:

- Current ratios from 500 A (primary side) and 5 A (secondary side)
- No primary cable interruption
- Ideal for use in very confined spaces

—  
Subject to changes. Please also observe the further product documentation!

---

WAGO GmbH & Co. KG

Hansastr. 27

32423 Minden

Phone: +49571 887-0 | Fax: +49571 887-169

Email: [info.de@wago.com](mailto:info.de@wago.com) | Web: [www.wago.com](http://www.wago.com)

Do you have any questions about our products?

We are always happy to take your call at +49 (571) 887-44222.



- Rapid mounting
- For use around insulated cables up to 42 mm diameter
- Compact and hinged
- Color-coded connection cable (3 m)

## Data

### Technical data

#### Input – current transformer

Primary rated current	500 A
Rated continuous thermal current $I_{cth}$	100 %
Rated short-time thermal current $I_{th}$	$60 \times I_N / 1 \text{ s}$
Rated surge current $I_{dyn}$	$2.5 \times I_{th}$
Rated frequency	50 ... 60 Hz

#### Output – current transformer

Secondary rated current	5 A
Rated power $S_r$	0.5 VA

#### Measurement error

Accuracy class	1
----------------	---

#### Safety and protection

Highest voltage for equipment $U_m$	AC 720 V <sub>rms</sub>
Protection type	IP20

#### Test voltage

Test voltage	AC 3 kV; 50 Hz; 1 min
--------------	-----------------------

#### Connection data

Feedthrough for measurement conductor	Ø 42 mm
Cable type	2 x 1.5 mm <sup>2</sup> ; fine-stranded
Color code	black = S1; red = S2

Subject to changes. Please also observe the further product documentation!



## Physical data

Cable length	3 m
--------------	-----

## Mechanical data

Mounting type	Split-core current transformer (suspended)
---------------	--

## Material data

Flammability class per UL94	V2
-----------------------------	----

Weight	537 g
--------	-------

## Environmental requirements

Ambient temperature (operation)	-10 ... +55 °C
---------------------------------	----------------

Surrounding air temperature (storage)	-20 ... +70 °C
---------------------------------------	----------------

Relative humidity	5 ... 85 % (without condensation)
-------------------	-----------------------------------

Operating altitude (max.)	2000 m
---------------------------	--------

## Standards and specifications

Conformity marking	CE
--------------------	----

Standards/specifications	EN 61869-1 EN 61869-2
--------------------------	--------------------------

## Commercial data

ETIM 8.0	EC002048
----------	----------

ETIM 7.0	EC002048
----------	----------

PU (SPU)	1 Stück
----------	---------

Packaging type	box
----------------	-----

Country of origin VKOrg Germany	NL
---------------------------------	----

GTIN	4055143950817
------	---------------

Customs tariff number VKOrg Germany	85043180888
-------------------------------------	-------------

## Approvals / Certificates

### Country specific Approvals

Logo	Approval	Additional Approval Text	Certificate name
	EAC Brjansker Zertifizierungsstelle	TP TC 004/2011, TP TC 020/2011	EAC RU C-DE.AM02.

Subject to changes. Please also observe the further product documentation!



## Optional accessories

### Signal conditioner

Current signal conditioner

Item no.: 857-551

Current signal conditioner; Current input signal; Current and voltage output signal; Digital output; Configuration via software; Supply voltage: 24 VDC; 6 mm module width

[www.wago.com/857-551](http://www.wago.com/857-551)

## Downloads

### Documentation

#### Bid Text

X81 - Datei

xml  
5.5 kB  
Download

docx - Datei

docx  
15.8 kB  
Download

#### Instruction Leaflet

Kabelumbau-Stromwandler

V 1.1.0  
2020 年1月15日

pdf  
832.5 kB  
Download

## Engineering-Software

### Configuration and Commissioning Software

WAGO Interface Configuration Software G2 FULL

1.0.8.6  
2022 年1月20日

exe  
114.0 MB  
Download

The full setup, in addition to the WAGO Interface Configuration Software G2, includes the installation for the Microsoft .NET Framework.

## Environmental Product Compliance

### Compliance Search

Environmental Product Compliance 855-5005/500-001

URL  
Download

Split-core current transformer; Primary rated current: 500 A; Secondary rated current: 5 A; Rated power: 0.5 VA; Accuracy class: 1

Subject to changes. Please also observe the further product documentation!

WAGO GmbH & Co. KG

Hansastr. 27

32423 Minden

Phone: +49571 887-0 | Fax: +49571 887-169

Email: [info.de@wago.com](mailto:info.de@wago.com) | Web: [www.wago.com](http://www.wago.com)

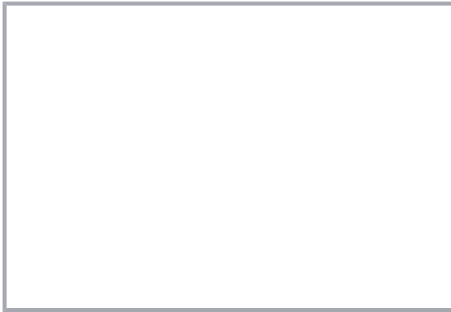
Do you have any questions about our products?

We are always happy to take your call at +49 (571) 887-44222.

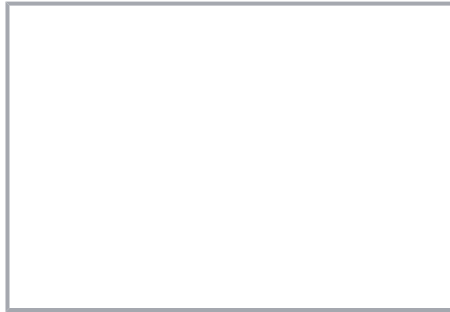


## Installation Notes

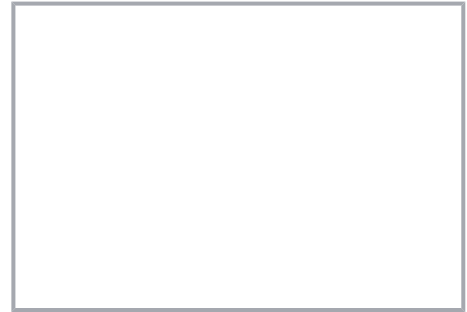
### Installation



Simple termination!



Quick and easy mounting!



Subject to changes. Please also observe the further product documentation!