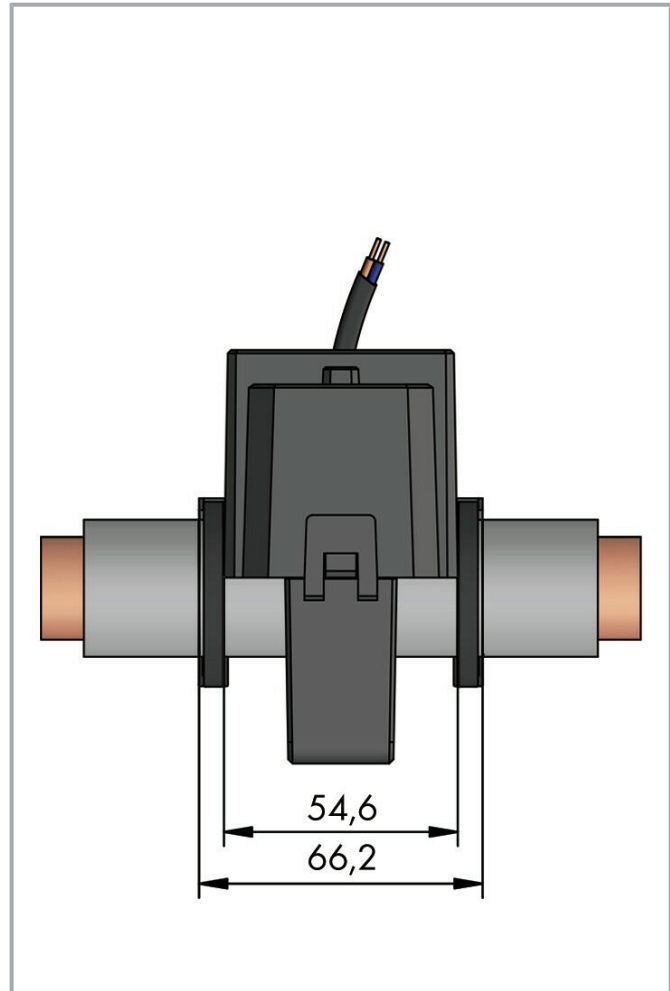


Data sheet | Item number: 855-5005/1000-000

Split-core current transformer; Primary rated current: 1000 A; Secondary rated current: 5 A; Rated power: 0.5 VA; Accuracy class: 0.5; Cable length: 3 m



www.wago.com/855-5005/1000-000



 Picture differs from the item.

Subject to changes. Please also observe the further product documentation!

WAGO GmbH & Co. KG
Hansastr. 27
32423 Minden
Phone: +49571 887-0 | Fax: +49571 887-169
Email: info.de@wago.com | Web: www.wago.com

Do you have any questions about our products?
We are always happy to take your call at +49 (571) 887-44222.



Item description

Short description:

WAGO's compact split-core current transformers are ideal for retrofitting existing systems. They are perfect for applications in which the current path must not be disrupted. The transformer's accuracy permits extremely precise current measurements. The split-core current transformers are capable of supplying the specified rated power at the end of the secondary cable. All transformers are supplied with color-coded cables. Two UV-resistant cable ties are also included for secure and easy mounting.

Features:

- Current ratios from 1000 A (primary side) and 5 A (secondary side)
- No primary cable interruption
- Ideal for use in very confined spaces

—
Subject to changes. Please also observe the further product documentation!

WAGO GmbH & Co. KG

Hansastr. 27

32423 Minden

Phone: +49571 887-0 | Fax: +49571 887-169

Email: info.de@wago.com | Web: www.wago.com

Do you have any questions about our products?

We are always happy to take your call at +49 (571) 887-44222.



- Rapid mounting
- For use around insulated cables up to 42 mm diameter
- Compact and hinged
- Color-coded connection cable (3 m)

Data

Technical data

Input – current transformer

Primary rated current	1000 A
Rated continuous thermal current I_{cth}	100 %
Rated short-time thermal current I_{th}	$60 \times I_N / 1 \text{ s}$
Rated surge current I_{dyn}	$2.5 \times I_{th}$
Rated frequency	50 ... 60 Hz

Output – current transformer

Secondary rated current	5 A
Rated power S_r	0.5 VA

Measurement error

Accuracy class	0.5
----------------	-----

Safety and protection

Highest voltage for equipment U_m	AC 720 V _{rms}
Protection type	IP20

Test voltage

Test voltage	AC 3 kV; 50 Hz; 1 min
--------------	-----------------------

Connection data

Feedthrough for measurement conductor	Ø 42 mm
Cable type	2 x 1.5 mm ² ; fine-stranded
Color code	Black = S1; red = S2

Subject to changes. Please also observe the further product documentation!



Physical data

Cable length	3 m
--------------	-----

Mechanical data

Mounting type	Split-core current transformer (suspended)
---------------	--

Material data

Flammability class per UL94	V2
-----------------------------	----

Weight	618 g
--------	-------

Environmental requirements

Ambient temperature (operation)	-10 ... +40 °C
---------------------------------	----------------

Surrounding air temperature (storage)	-20 ... +70 °C
---------------------------------------	----------------

Relative humidity	5 ... 85 % (without condensation)
-------------------	-----------------------------------

Operating altitude (max.)	2000 m
---------------------------	--------

Standards and specifications

Conformity marking	CE
--------------------	----

Standards/specifications	EN 61869-1 EN 61869-2
--------------------------	--------------------------

Commercial data

Product Group	29 (Interface Electronic (NET))
---------------	---------------------------------

eCl@ss 10.0	27-21-09-02
-------------	-------------

eCl@ss 9.0	27-21-09-02
------------	-------------

ETIM 8.0	EC002048
----------	----------

ETIM 7.0	EC002048
----------	----------

PU (SPU)	1 Stück
----------	---------

Packaging type	box
----------------	-----

Country of origin VKOrg Germany	NL
---------------------------------	----

GTIN	4055143056397
------	---------------

Customs tariff number VKOrg Germany	85043180888
-------------------------------------	-------------

Approvals / Certificates

Country specific Approvals

Certificate

Subject to changes. Please also observe the further product documentation!

WAGO GmbH & Co. KG

Hansastr. 27


32423 Minden

Phone: +49571 887-0 | Fax: +49571 887-169

Email: info.de@wago.com | Web: www.wago.com

Do you have any questions about our products?

We are always happy to take your call at +49 (571) 887-44222.

Logo	Approval	Additional Approval Text	name
	EAC Brjansker Zertifizierungsstelle	TP TC 004/2011, TP TC 020/2011	EAC RU C-DE.AM02. B.00111 /19

Optional accessories

Signal conditioner

Power measurement module			
	Item no.: 2857-570/024-005 3-Phase Power Measurement Module; 3x277/480 V/5 A; Modbus RTU; Digital output; Configuration via software; Supply voltage: 24 VDC		www.wago.com/2857-570/024-005
Current signal conditioner			
	Item no.: 857-550 Current signal conditioner; Current input signal; Current and voltage output signal; Digital output; Configuration via software; Supply voltage: 24 VDC; 6 mm module width; 2,50 mm ²		www.wago.com/857-550
	Item no.: 857-569 Power signal conditioner; Current and voltage input signal; Current and voltage output signal; Digital output; Configuration via software; Supply voltage: 24 VDC; 6 mm module width		www.wago.com/857-569
	Item no.: 857-551 Current signal conditioner; Current input signal; Current and voltage output signal; Digital output; Configuration via software; Supply voltage: 24 VDC; 6 mm module width		www.wago.com/857-551

Mounting

Current transformer terminal block			
	Item no.: 2007-8874 Compact terminal block; for current and voltage transformers; 6,00 mm ² ; multicoloured		www.wago.com/2007-8874
	Item no.: 2007-8877 Compact terminal block; for current transformer circuit; 6,00 mm ² ; multicoloured		www.wago.com/2007-8877
	Item no.: 2007-8875 Compact terminal block; for current transformer circuit; 6,00 mm ² ; multicoloured		www.wago.com/2007-8875
	Item no.: 2007-8876 Compact terminal block; for 3-phase current transformer circuit; 6,00 mm ² ; multicoloured		www.wago.com/2007-8876
	Item no.: 2007-8873 Compact terminal block; for current and voltage transformers; 6,00 mm ² ; multicoloured		www.wago.com/2007-8873

Downloads

Documentation

Bid Text

855-5005/1000-000

Subject to changes. Please also observe the further product documentation!

WAGO GmbH & Co. KG
Hansastr. 27
32423 Minden
Phone: +49571 887-0 | Fax: +49571 887-169
Email: info.de@wago.com | Web: www.wago.com

Do you have any questions about our products?
We are always happy to take your call at +49 (571) 887-44222.



X81 - Datei	2019 年2月19 日	xml 5.3 kB	Download
855-5005/1000-000 doc - Datei	2015 年3月24 日	doc 32.3 kB	Download
Instruction Leaflet			
Kabelumbau-Stromwandler	V 1.1.0 2020 年1月15 日	pdf 832.5 kB	Download
Additional Information			
Disposal; Electrical and electronic equipment, Packaging	V 1.0.0	pdf 265.8 kB	Download

Engineering-Software

Configuration and Commissioning Software

WAGO Interface Configuration Software G2 FULL	1.0.8.6	exe	Download
The full setup, in addition to the WAGO Interface Configuration Software G2, includes the installation for the Microsoft .NET Framework.	2022 年1月20 日	114.0 MB	

Environmental Product Compliance

Compliance Search

Environmental Product Compliance 855-5005/1000-000	URL	Download
Split-core current transformer; Primary rated current: 1000 A; Secondary rated current: 5 A; Rated power: 0.5 VA; Accuracy class: 0.5; Cable length: 3 m		

Installation Notes

Installation

Subject to changes. Please also observe the further product documentation!

WAGO GmbH & Co. KG
 Hansastr. 27
 32423 Minden
 Phone: +49571 887-0 | Fax: +49571 887-169
 Email: info.de@wago.com | Web: www.wago.com

Do you have any questions about our products?
 We are always happy to take your call at +49 (571) 887-44222.



Simple termination!



Quick and easy mounting!



Subject to changes. Please also observe the further product documentation!