

Hinges • adjustable  
EH 25161.



**Product Description**

Adjustable hinges can be positioned horizontally or vertically by moving the adjusting bushings in a form-fit and finely adjusted manner.

**Material**

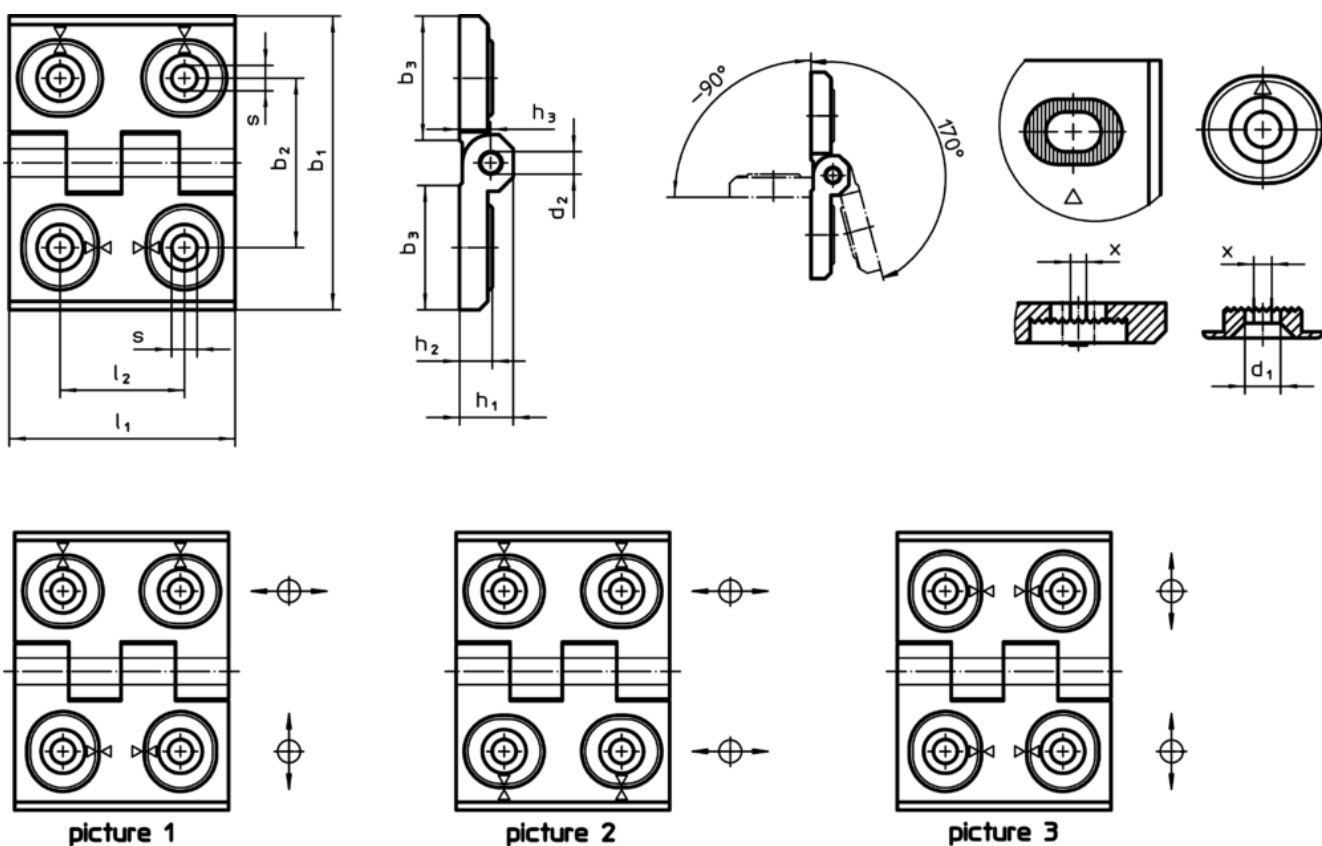
**Body**

- Stainless steel 1.4408, dull blasted
- Zinc die-cast, plastic coated, silver, similar to RAL 9006, matt structure
- Zinc die-cast, plastic coated, black, similar to RAL 9005, matt structure

**Axis**


- Stainless Steel

**Drawing**



**Order information**

Dimensions												[g]	Art. No.	
b <sub>1</sub>	l <sub>1</sub>	b <sub>2</sub>	b <sub>3</sub>	d <sub>1</sub>	d <sub>2</sub>	h <sub>1</sub>	h <sub>2</sub>	h <sub>3</sub>	l <sub>2</sub>	x				
adjustable in width – picture 3, stainless steel														
40	52	30	22.0	4.5	4	9.5	6	5.5	22	1.00	76	25161.0305		
50	64	37	28.0	5.5	6	11.5	7	6.5	27	1.50	137	25161.0310		
60	76	42	33.5	6.5	8	15.0	9	8.5	34	2.00	253	25161.0315		
adjustable in height – picture 2, stainless steel														
40	52	30	22.0	4.5	4	9.5	6	5.5	22	1.00	78	25161.0320		
50	64	37	28.0	5.5	6	11.5	7	6.5	27	1.50	140	25161.0325		
60	76	42	33.5	6.5	8	15.0	9	8.5	34	2.00	259	25161.0330		

Dimensions											 [g]	Art. No.
b <sub>1</sub>	l <sub>1</sub>	b <sub>2</sub>	b <sub>3</sub>	d <sub>1</sub>	d <sub>2</sub>	h <sub>1</sub>	h <sub>2</sub>	h <sub>3</sub>	l <sub>2</sub>	x		
<b>adjustable in height and width – picture 1, stainless steel</b>												
40	52	30	22.0	4.5	4	9.5	6	5.5	22	1.00	77	25161.0335
50	64	37	28.0	5.5	6	11.5	7	6.5	27	1.50	138	25161.0340
60	76	42	33.5	6.5	8	15.0	9	8.5	34	2.00	256	25161.0345
<b>adjustable in width – picture 3, Zinc die-cast, silver</b>												
40	52	30	22.0	4.5	4	9.5	6	5.5	22	0.50	69	25161.0105
50	64	37	28.0	5.5	6	11.5	7	6.5	27	0.75	115	25161.0110
60	76	42	33.5	6.5	8	15.0	9	8.5	34	1.00	205	25161.0115
<b>adjustable in height – picture 2, Zinc die-cast, silver</b>												
40	52	30	22.0	4.5	4	9.5	6	5.5	22	0.50	69	25161.0120
50	64	37	28.0	5.5	6	11.5	7	6.5	27	0.75	115	25161.0125
60	76	42	33.5	6.5	8	15.0	9	8.5	34	1.00	205	25161.0130
<b>adjustable in height and width – picture 1, Zinc die-cast, silver</b>												
40	52	30	22.0	4.5	4	9.5	6	5.5	22	0.50	69	25161.0135
50	64	37	28.0	5.5	6	11.5	7	6.5	27	0.75	115	25161.0140
60	76	42	33.5	6.5	8	15.0	9	8.5	34	1.00	205	25161.0145
<b>adjustable in width – picture 3, Zinc die-cast, black</b>												
40	52	30	22.0	4.5	4	9.5	6	5.5	22	0.50	69	25161.0205
50	64	37	28.0	5.5	6	11.5	7	6.5	27	0.75	115	25161.0210
60	76	42	33.5	6.5	8	15.0	9	8.5	34	1.00	205	25161.0215
<b>adjustable in height – picture 2, Zinc die-cast, black</b>												
40	52	30	22.0	4.5	4	9.5	6	5.5	22	0.50	69	25161.0220
50	64	37	28.0	5.5	6	11.5	7	6.5	27	0.75	115	25161.0225
60	76	42	33.5	6.5	8	15.0	9	8.5	34	1.00	205	25161.0230
<b>adjustable in height and width – picture 1, Zinc die-cast, black</b>												
40	52	30	22.0	4.5	4	9.5	6	5.5	22	0.50	69	25161.0235
50	64	37	28.0	5.5	6	11.5	7	6.5	27	0.75	115	25161.0240
60	76	42	33.5	6.5	8	15.0	9	8.5	34	1.00	205	25161.0245

## Compliance

### RoHS compliant

Compliant according to Directive 2011/65/EU and Directive 2015/863

### Does not contain SVHC substances

No SVHC substances with more than 0.1% w/w contained - SVHC list [REACH] as of 10.06.2022

### Does not contain Proposition 65 substances

No Proposition 65 substances included

<https://www.P65Warnings.ca.gov/>

### Free from Conflict Minerals

This product does not contain any substances designated as "conflict minerals" such as tantalum, tin, gold or tungsten from the Democratic Republic of Congo or adjacent countries.