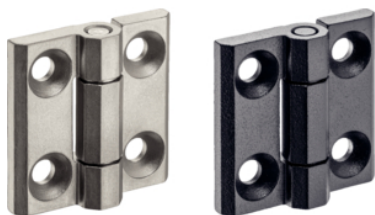


Hinges • stainless steel
EH 25162.

Product Description



These hinges from stainless steel are characterised by the compact design. The hinge pins are form-fit pressed and are therefore suitable for use in case of strong vibrations and shocks. Appropriate friction pairings of the hinge components and the lubrication reduce abrasion to a minimum. The version with centering steps avoids lateral slipping under high loads and thus protects the fixing screws from unacceptable lateral forces.

Material

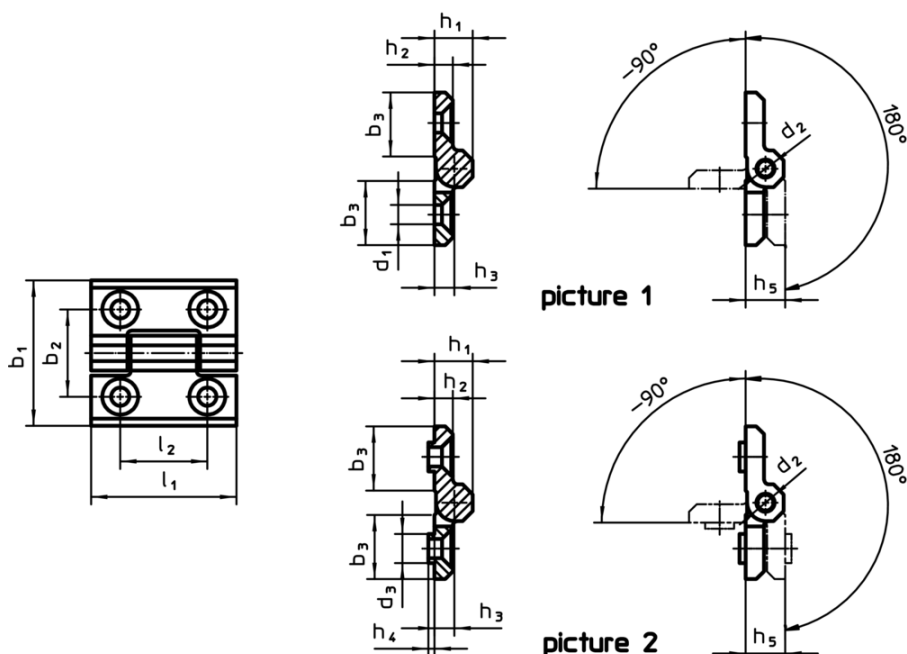
Body

- Stainless steel 1.4405, dull blasted
- stainless steel 1.4405, plastic-coated, black similar to RAL 9005, structure matt

Axis


- stainless steel

Drawing



Order information

Dimensions														[g]	Art. No.
b ₁	l ₁	b ₂	b ₃	d ₁	d ₂	d ₃	h ₁	h ₂	h ₃	h ₄	h ₅	l ₂			
without centering steps – picture 1, dull blasted															
50	50	30	21.0	6.3	6	9.5	12.5	6	6.5	2	13	30	110	25162.0035	
60	60	36	25.5	8.3	8	12.5	16.0	8	8.5	3	17	36	215	25162.0045	
80	80	50	36.0	10.3	10	14.5	20.0	10	10.5	4	21	50	485	25162.0075	
without centering steps – picture 1, black															
50	50	30	21.0	6.3	6	9.5	12.5	6	6.5	2	13	30	110	25162.0135	
60	60	36	25.5	8.3	8	12.5	16.0	8	8.5	3	17	36	215	25162.0145	
80	80	50	36.0	10.3	10	14.5	20.0	10	10.5	4	21	50	485	25162.0175	
with centering steps – picture 2, dull blasted															
50	50	30	21.0	6.3	6	9.5	12.5	6	6.5	2	13	30	115	25162.0040	
60	60	36	25.5	8.3	8	12.5	16.0	8	8.5	3	17	36	220	25162.0050	
80	80	50	36.0	10.3	10	14.5	20.0	10	10.5	4	21	50	485	25162.0080	

Dimensions													 [g]	Art. No.
b ₁	l ₁	b ₂	b ₃	d ₁	d ₂	d ₃	h ₁	h ₂	h ₃	h ₄	h ₅	l ₂		
[mm]														
with centering steps – picture 2, black														
50	50	30	21.0	6.3	6	9.5	12.5	6	6.5	2	13	30	115	25162.0140
60	60	36	25.5	8.3	8	12.5	16.0	8	8.5	3	17	36	220	25162.0150
80	80	50	36.0	10.3	10	14.5	20.0	10	10.5	4	21	50	485	25162.0180

Compliance

RoHS compliant

Compliant according to Directive 2011/65/EU and Directive 2015/863

Does not contain SVHC substances

No SVHC substances with more than 0.1% w/w contained - SVHC list [REACH] as of 10.06.2022

Does not contain Proposition 65 substances

No Proposition 65 substances included

<https://www.P65Warnings.ca.gov/>

Free from Conflict Minerals

This product does not contain any substances designated as "conflict minerals" such as tantalum, tin, gold or tungsten from the Democratic Republic of Congo or adjacent countries.