

General Specifications

		Unipolar	Bipolar	
Basic specifications	Model number	US1D200P10	BS1D200P10	
	Input source	DC24 V/36 V ± 10 %		
	Source current	3 A		
	Environment	Protection class	Class III	
		Operation environment	Installation category (over-voltage category) : I, pollution degree : 2	
		Ambient operation temperature	0 to + 50°C	
		Conservation temperature	- 20 to + 70°C	
		Operating ambient humidity	35 to 85% RH (no condensation)	
		Conservation humidity	10 to 90% RH (no condensation)	
		Operation altitude	1000 m (3281 feet) or less above sea level	
		Vibration resistance	Tested under the following conditions: 5 m/s ² frequency range 10 to 55Hz, direction along X, Y and Z axes, for 2 hours each	
		Impact resistance	Not influenced at NDS-C-0110 standard section 3.2.2 division "C".	
		Withstand voltage	Not influenced when 0.5 kV AC is applied between power input terminal and cabinet for one minute.	
	Insulation resistance	10 MΩ MIN. when measured with 500V DC megohmmeter between input terminal and cabinet.		
	Mass (Weight)	0.09 kg (0.20 lbs)		
Functions	Selection functions	Step angle, Pulse input mode, Low vibration mode, Step current, Operating current, Original excitation phase		
	Protection functions	Open phase protection, Main circuit power source voltage decrease		
	LED indication	Power monitor, alarm display		
I/O signals	Command pulse input signal	Photocoupler input system, input resistance : 220 Ω input-signal "H" level : 4.0 to 5.5 V, input-signal "L" level : 0 to 0.5 V Maximum input frequency : 150 kpulse/s		
	Power down input signal	Photocoupler input system, input resistance : 220 Ω input-signal "H" level : 4.0 to 5.5V, input-signal "L" level : 0 to 0.5 V		
	Phase origin monitor output signal	From the photocoupler by the open collector output Output specification : V _{ceo} = 40 V MAX., I _c = 10 mA MAX.		
	Rotation monitor output signal	From the photocoupler by the open collector output Output specification : V _{ceo} = 40 V MAX., I _c = 10 mA MAX.		

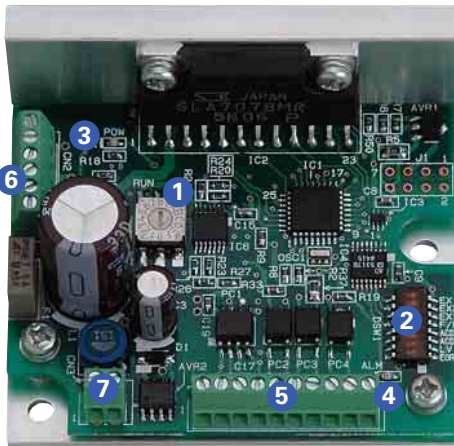
Safety standards

	Directives	Category	Standard cord	Name
CE (TÜV)	Low-voltage directives	—	EN61010-1	—
	EMC directives	Emission	EN55011-A	Terminal disturbance voltage
			EN55011-A	Electromagnetic radiation disturbance
		Immunity	EN61000-4-2	ESD (Electrostatic discharge)
			EN61000-4-3	RS (Radio-frequency amplitude modulated electromagnetic field)
			EN61000-4-4	Fast transients / burst
			EN61000-4-6	Conducted disturbances
UL	Acquired standards	Standard part	File No.	
	UL	UL508C	E179775	
	UL for Canada			

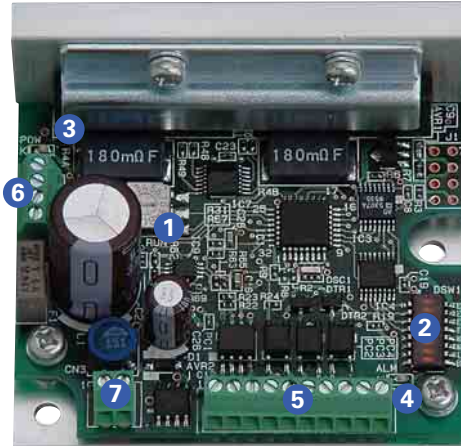
- EMC characteristics may vary depending on the configuration of the users' control panel, which contains the driver or stepping motor, or the arrangement and wiring of other electrical devices.
- Parts for EMC noise suppression like noise filters and toroidal type ferrite cores may be required depending on circumstances.
- Validation test of driver has been performed for low-voltage EMC directives at TÜV (TÜV product service) for self-declaration of CE marking.

Driver Controls and Connectors

Unipolar



Bipolar



1 Operating current selection switch (RUN)

The value of the motor current can be set when operating.

Dial	0	1	2	3	4	5	6	7
Stepping motor current (A)	2.0	1.9	1.8	1.7	1.6	1.5	1.4	1.3
Dial	8	9	A	B	C	D	E	F
Stepping motor current (A)	1.2	1.1	1.0	0.9	0.8	0.7	0.6	0.5

- The factory setting is F (0.5A).
Select the current after checking the rated current of the combination motor.

2 Function selection DIP switchpack

Select the function depending on your specification.

Factory settings

	OFF	ON	
EX1	<input type="checkbox"/>	<input type="checkbox"/>	Partition number: 8
EX2	<input type="checkbox"/>	<input type="checkbox"/>	
EX3	<input type="checkbox"/>	<input type="checkbox"/>	
F/R	<input type="checkbox"/>	<input type="checkbox"/>	Input method 2 (CW/CCW pulse input)
ACD1	<input type="checkbox"/>	<input type="checkbox"/>	Stopping current: 40% of driving current
ACD2	<input type="checkbox"/>	<input type="checkbox"/>	
LV	<input type="checkbox"/>	<input type="checkbox"/>	Micro step operation
EORG	<input type="checkbox"/>	<input type="checkbox"/>	Phase origin

1, Step angle select (EX1, EX2, EX3)

Select the partition number of the basic step angle.

EX1	EX2	EX3	Partition number
ON	ON	ON	1-division
OFF	ON	OFF	2-division
ON	OFF	OFF	4-division
OFF	OFF	OFF	8-division
OFF	OFF	ON	16-division

2, Input method select (F/R)

Select input pulse type.

F/R	Input pulse type
ON	1 input (CK, U/D)
OFF	2 input (CW, CCW)

3, Current selection when stopping (ACD1, ACD2)

Select the current value of the motor when stopping.

ACD2	ACD1	Current value of the motor
ON	ON	100% of driving current
ON	OFF	60% of driving current
OFF	ON	50% of driving current
OFF	OFF	40% of driving current

- Initial configuration of factory shipment is set to 40% of rated value.
Driver and motor should be operated at around 50% of rated value to reduce heat.

4, Low-vibration mode select (LV)

Provides low-vibration, smooth operation even if resolution is coarse (1-division, 2-division, etc).

LV	Operation
ON	Auto-micro function
OFF	Micro-step

5, Excitation select (EORG)

The excitation phase when the power supply is engaged is selected.

EORG	Original excitation phase
ON	Excitation phase at power shut off
OFF	Phase origin

- By turning on the EORG, excitation phase when power OFF will be saved. Therefore, there will be no shaft displacement when turning the power ON.

3 LED for power supply monitor (POW)

Lit up when the main circuit power supply is connected.

4 LED for alarm display (ALM)

Lights in the following conditions:

- Motor cable is broken.
- Switching element in driver is faulty.
- The main circuit voltage is out of specifications range (DC19V MAX.).

When "ALM" is displayed, the winding current of the stepping motor is cut off and it is in a "non-excitation" state. At the same time, an output signal (photocoupler ON) is transmitted from the alarm output terminal (AL) to an external source. When the alarm circuit is operating, this state is maintained until it is reset by switching on the power supply again. When an alarm condition has occurred, please take corrective actions to rectify the cause of the alarm before switching on the power supply again.

5 I/O signal terminal block (CN1)

Connect the I/O signal.

6 Motor terminal block (CN2)

Connect the motor's power line.

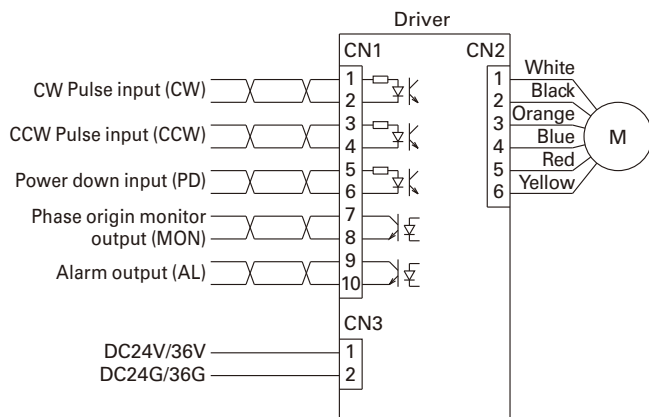
7 Power supply terminal block (CN3)

Connect the main circuit power supply.

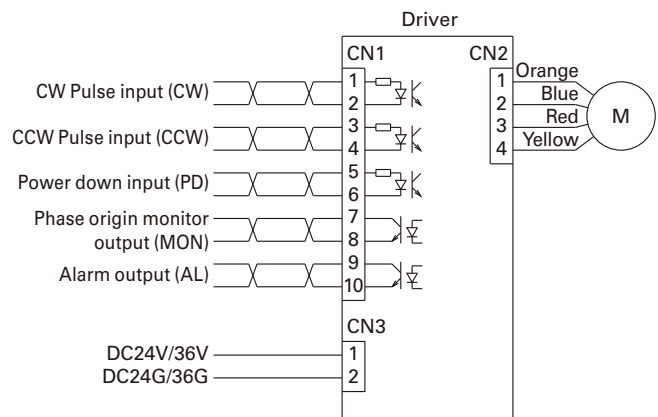
Connections and Signals

External wiring diagram

Unipolar



Bipolar



Applicable wire sizes

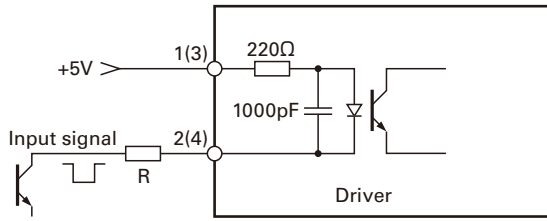
Part	Wire Sizes	Allowable wire length
For power supply	AWG22 (0.3 mm ²)	2 m MAX.
For input/output signal	AWG24 (0.2 mm ²) to AWG22 (0.3 mm ²)	2 m MAX.
For motor	AWG22 (0.3 mm ²)	Under 3 m

Specification summary of input/output signals

Signal	CN1 Pin Number	Function summary
CW pulse input (CW) (Standard)	1 2	When "2 input mode", Input drive pulse rotating CW direction.
Pulse train input (CK)	1 2	When "1 input mode", Input drive pulse train for motor rotation.
CCW pulse input (CCW) (Standard)	3 4	When "2 input mode", Input drive pulse rotating CCW direction.
Rotational direction input (U/D)	3 4	When "1 input mode", Input motor rotational direction signal. Internal photocoupler ON ... CW direction Internal photocoupler OFF ... CCW direction
Power down input (PD)	5 6	Inputting PD signal will cut off (power off) the current flowing to the motor (With dip switch select, change to the Power low function is possible). PD input signal on (internal photocoupler on) ... PD function is valid. PD input signal off (internal photocoupler off) ... PD function is invalid.
Phase origin monitor output (MON)	7 8	When the excitation phase is at the origin (in power on) it turns on. When FULL step, ON once for 4 pulses, when HALF step, ON once for 8 pulses.
Alarm output (AL)	9 10	When alarm circuits actuated inside the driver, outputs signals to outside. Then the stepping motor becomes unexcited status.

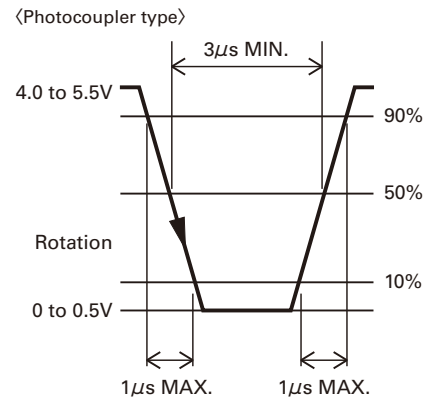
※ As for the Motor rotational direction, CW direction is regarded as the clockwise revolution, and CCW direction is regarded as the counterclockwise revolution by viewing the motor from output shaft side.

Circuit Configuration of Pulse Input CW (CK), CCW (U/D)



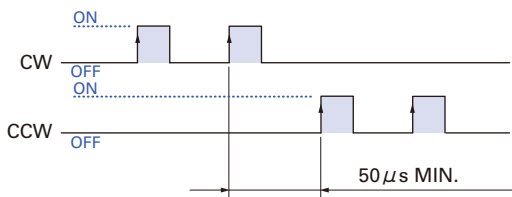
- Pulse duty 50% MAX.
- Maximum input frequency:150kpulse/s
- When the crest value of the input signal exceeds 5V, use the external limit resistance R to limit the input current to approximately 15mA.

Input signal specifications



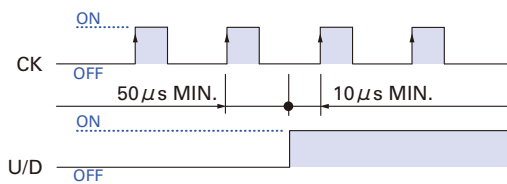
Timing of the command pulse

2 input mode (CW, CCW)



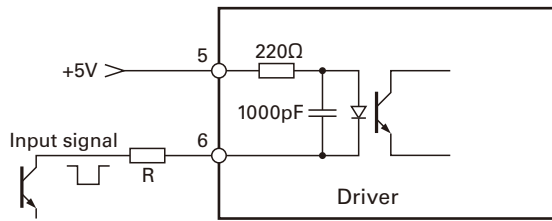
- Shaded area ■ indicates internal photocoupler "ON". Internal circuit (motor) starts operating at leading edge of the photocoupler "ON".
- To apply pulse to CW, set CCW side internal photocoupler to "OFF".
- To apply pulse to CCW, set CW side internal photocoupler to "OFF".

1 input mode (CK, U/D)



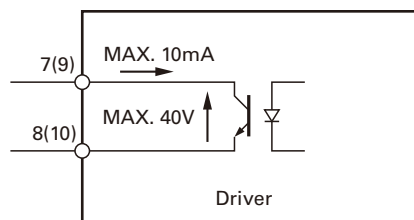
- Shaded area ■ indicates internal photocoupler "ON". Internal circuit (motor) starts operating at leading edge of CK side photocoupler "ON".
- Switching of U/D input signal must be done while CK side internal photocoupler is "OFF".

Input Circuit Configuration of Power Down Input (PD)

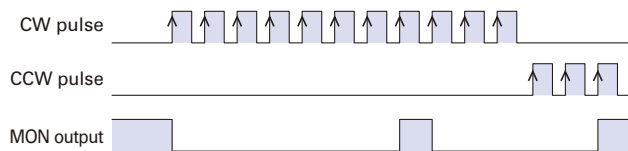


- When the crest value of the input signal exceeds 5V, use the external limit resistance R to limit the input current to approximately 15mA.

Output Signal Configuration of Phase Origin Monitor Output (MON) and Alarm Output (AL)



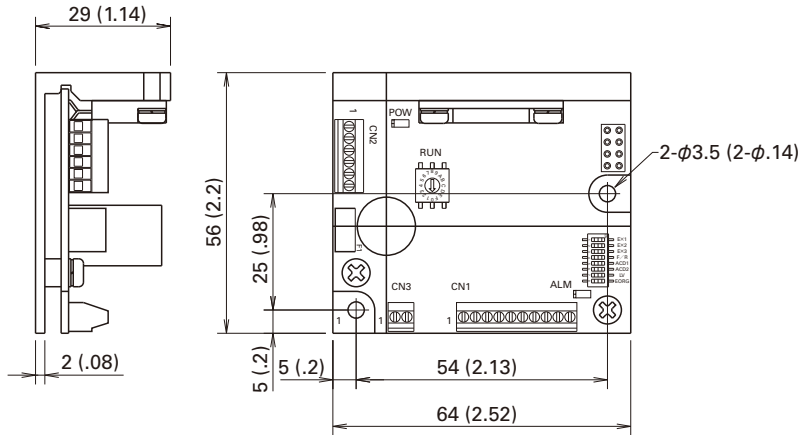
MON output



- Photocoupler is set to "ON" at phase origin of motor excitation. (setting when number of divisions is 2)
- MON output is taken at every 7.2 degrees of motor output shaft from phase origin.

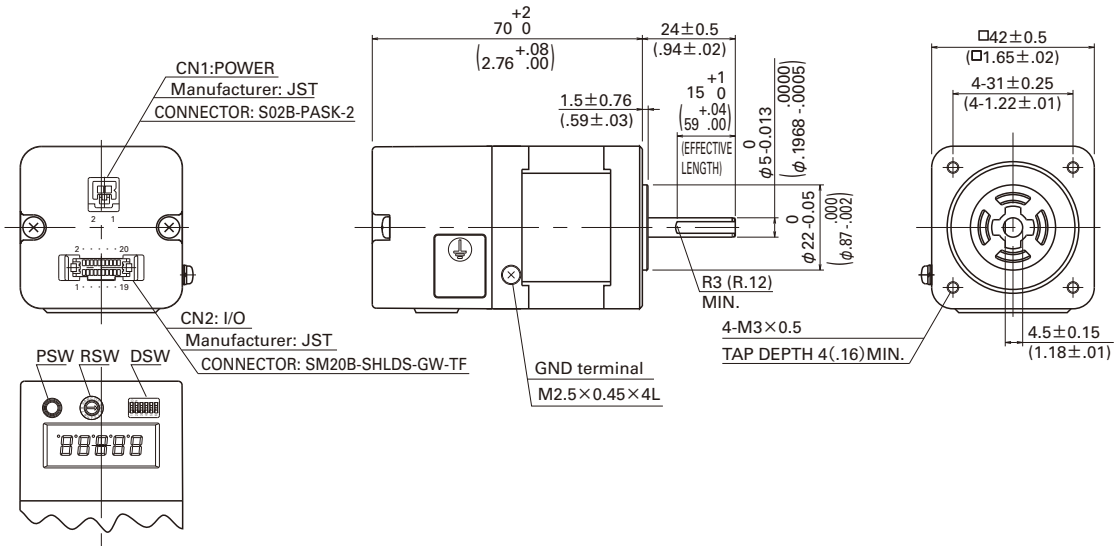
Stepping Drivers [Unit: mm (inch)]

BS1D200P10 and US1D200P10



Stepping Motors with Integrated Drivers [Unit: mm (inch)]

42 mm sq. (1.65 inch sq.)



60 mm sq. (2.36 inch sq.)

