

# Ø 172×150×51 mm

**San Ace 172**






Sidecut type



## General Specifications

- Material ..... Frame: Aluminum, Impeller: Plastic (Flammability: UL 94V-1)
- Expected life ..... See the table below. (L10 life: 90% survival rate for continuous operation in free air at 60°C, rated voltage)
- Motor structure ..... Capacitor motor
- Motor protection function ..... Locked rotor burnout protection, Reverse polarity protection  
For details, please refer to p. 547.
- Dielectric strength ..... 50/60 Hz, 1500 VAC, for 1 minute (between input terminal and frame)
- Insulation resistance ..... 10 MΩ or more with a 500 VDC megger
- Sound pressure level (SPL) ..... At 1 m away from the air inlet
- Operating voltage range ..... Voltage of each model ±10%
- Storage temperature ..... -30 to +70°C (Non-condensing)
- Mass ..... 1000 g

## Specifications

Model no.	Rated voltage [V]	Frequency [Hz]	Input [W]	Current [A]	Locked rotor current [A]	Rated speed [min <sup>-1</sup> ]	Max. airflow [m <sup>3</sup> /min] [CFM]	Max. static pressure [Pa] [inchH <sub>2</sub> O]	SPL [dB (A)]	Operating temperature [°C]	Expected life [h]
<b>109S301</b>	100	50/60	27/25	0.33/0.25	0.65/0.64	2900/3500	5.3/6.4 187.3/226.1	147/196 0.59/0.787	51/56	-30 to +60	25000/60°C
<b>109S304</b>	115			0.29/0.22	0.55/0.54						
<b>109S302</b>	200			0.16/0.13	0.33/0.32						
<b>109S303</b>	230			0.14/0.11	0.28/0.27						

## Set Models

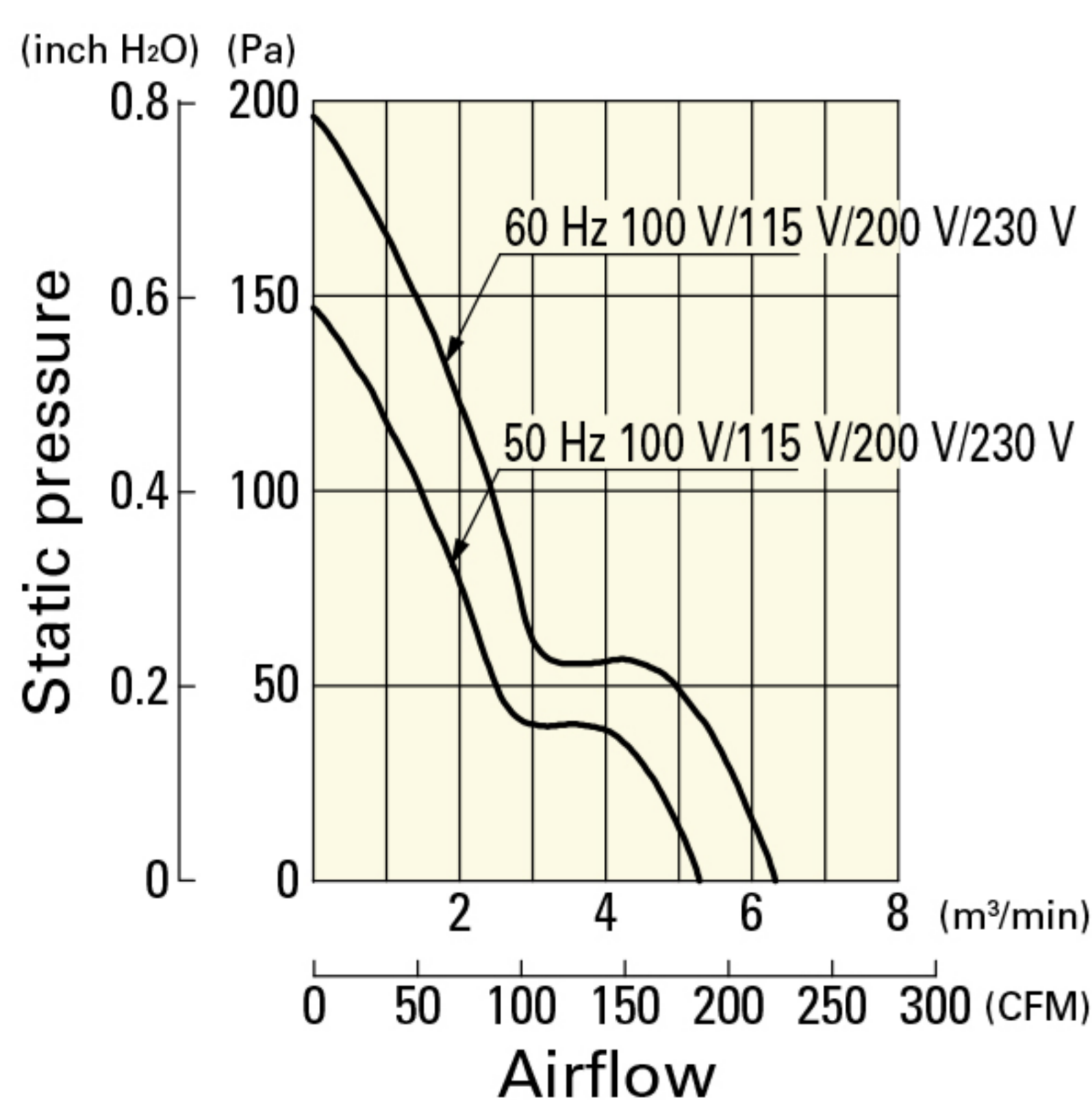
Fan, finger guard, plug cord, screws, etc. can be purchased in one package. For details, please refer to p. 594.

Order no.	Set items					
	Fan	Voltage	Low-speed sensor	Plug cord*	Finger guards	Mounting screws
<b>ST1-109S301</b>	109S301	100 V		489-1619-L10	109-319E	M4×25 mm (4 screws)**
<b>ST1-109S304</b>	109S304	115 V		489-1619-L10	109-319E	
<b>ST1-109S302</b>	109S302	200 V		489-1619-L10	109-319E	
<b>ST1-109S303</b>	109S303	230 V		489-1619-L10	109-319E	

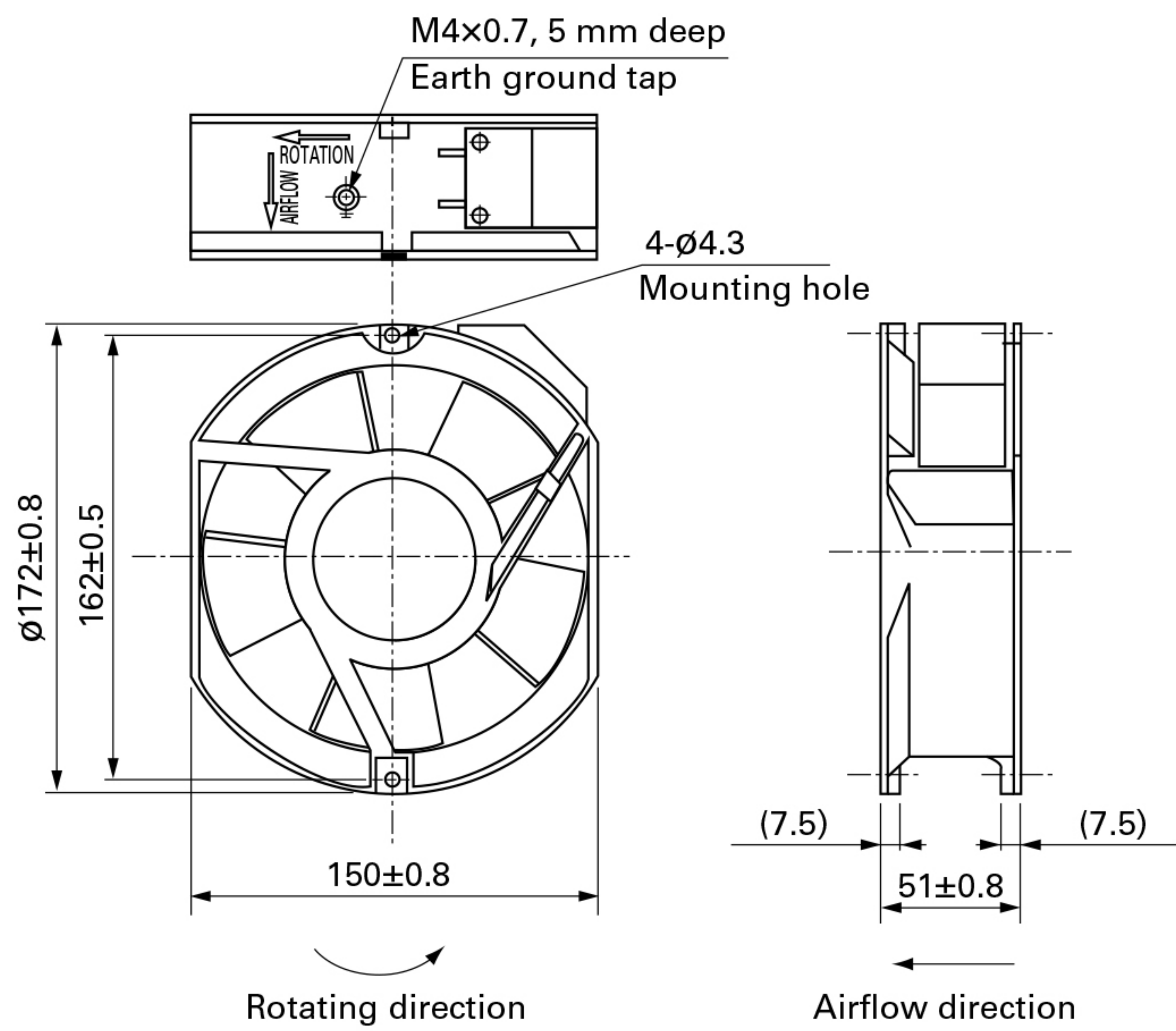
\* PSE compatible.

\*\* Though these are 2-hole or 3-hole frame mount types, 4 screws are included for extra.

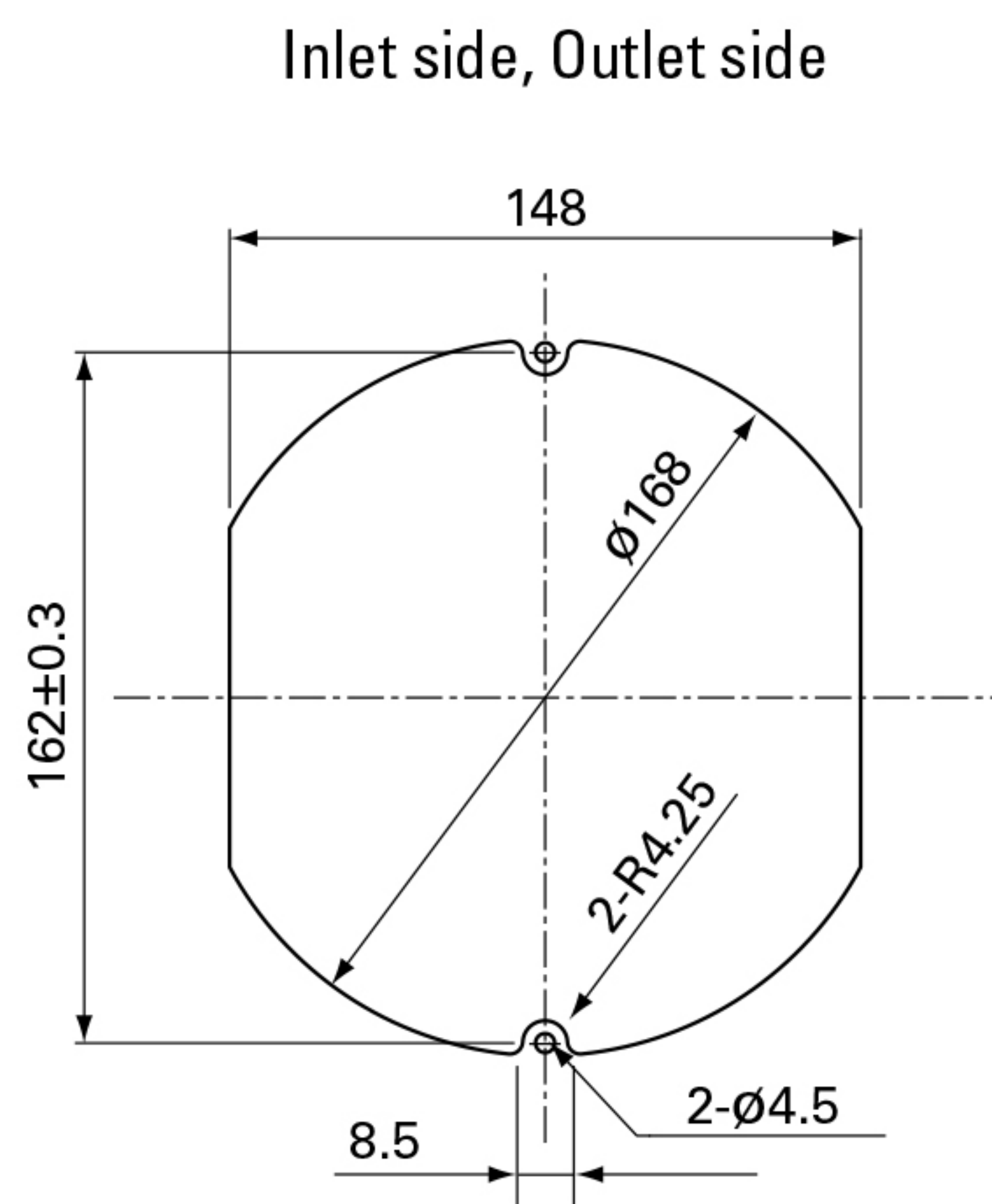
## Airflow - Static Pressure Characteristics

**109S301, 109S304, 109S302, 109S303**


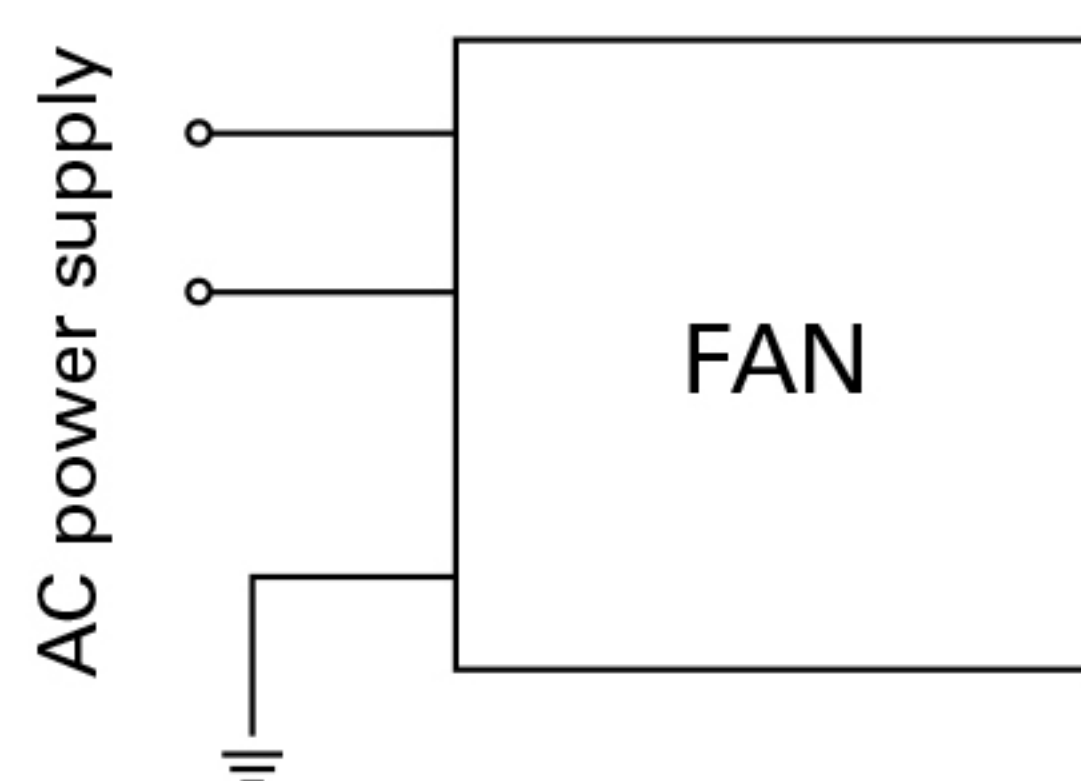
## Dimensions (unit: mm)



## Reference Dimensions of Mounting Holes and Vent Opening (unit: mm)



## Wiring Diagram



## Options

Finger guards

page: p. 534

Model no.: 109-319E, 109-319H, 109-320

Plug cord

page: pp. 542 to 543

Model no.: 489-1619-L10, 489-1619-L21, 489-084-L10, 489-084-L21

AC

AC Fan  $\varnothing 172$  mm