



92x92x25 mm

San Ace 92WS 9WS type

General Specifications

- Material Frame: Plastic (Flammability: UL 94V-0), Impeller: Plastic (Flammability: UL 94V-1)
- Expected life See the table below. (L10 life: 90% survival rate for continuous operation in indoor free air at 60°C, rated voltage)
- Motor protection function Locked rotor burnout protection, Reverse polarity protection
For details, please refer to p. 547.
- Dielectric strength 50/60 Hz, 500 VAC, for 1 minute (between lead wire conductors and frame)
- Insulation resistance 10 MΩ or more with a 500 VDC megger (between lead wire conductors and frame)
- Sound pressure level (SPL) At 1 m away from the air inlet
- Storage temperature -30 to +70°C (Non-condensing)
- Lead wire ⊕Red ⊖Black or Blue Sensor Yellow
- Mass 150 g
- Ingress protection IP54

Specifications

The models listed below **have ribs and pulse sensors.**

Model no.	Rated voltage [V]	Operating voltage range [V]	Rated current [A]	Rated input [W]	Rated speed [min ⁻¹]	Max. airflow [m ³ /min] [CFM]	Max. static pressure [Pa] [inchH ₂ O]	SPL [dB (A)]	Operating temperature [°C]	Expected life [h]
9WS0912H401	12	10.2 to 13.8	0.17	2.04	2850	1.38 48.7	45.1 0.181	33	-20 to +70	40000/60°C
9WS0912F401			0.13	1.56	2450	1.18 41.7	32.3 0.13	30		
9WS0912M401			0.1	1.2	2100	1.01 35.7	23.5 0.094	27		
9WS0912L401			0.06	0.72	1700	0.8 28.2	16.7 0.067	23		
9WS0924H401	24	20.4 to 27.6	0.1	2.4	2850	1.38 48.7	45.1 0.181	33		
9WS0924F401			0.07	1.68	2450	1.18 41.7	32.3 0.13	30		
9WS0924M401			0.06	1.44	2100	1.01 35.7	23.5 0.094	27		
9WS0924L401			0.05	1.2	1700	0.8 28.2	16.7 0.067	23		

The following sensor and control options are available for selection.

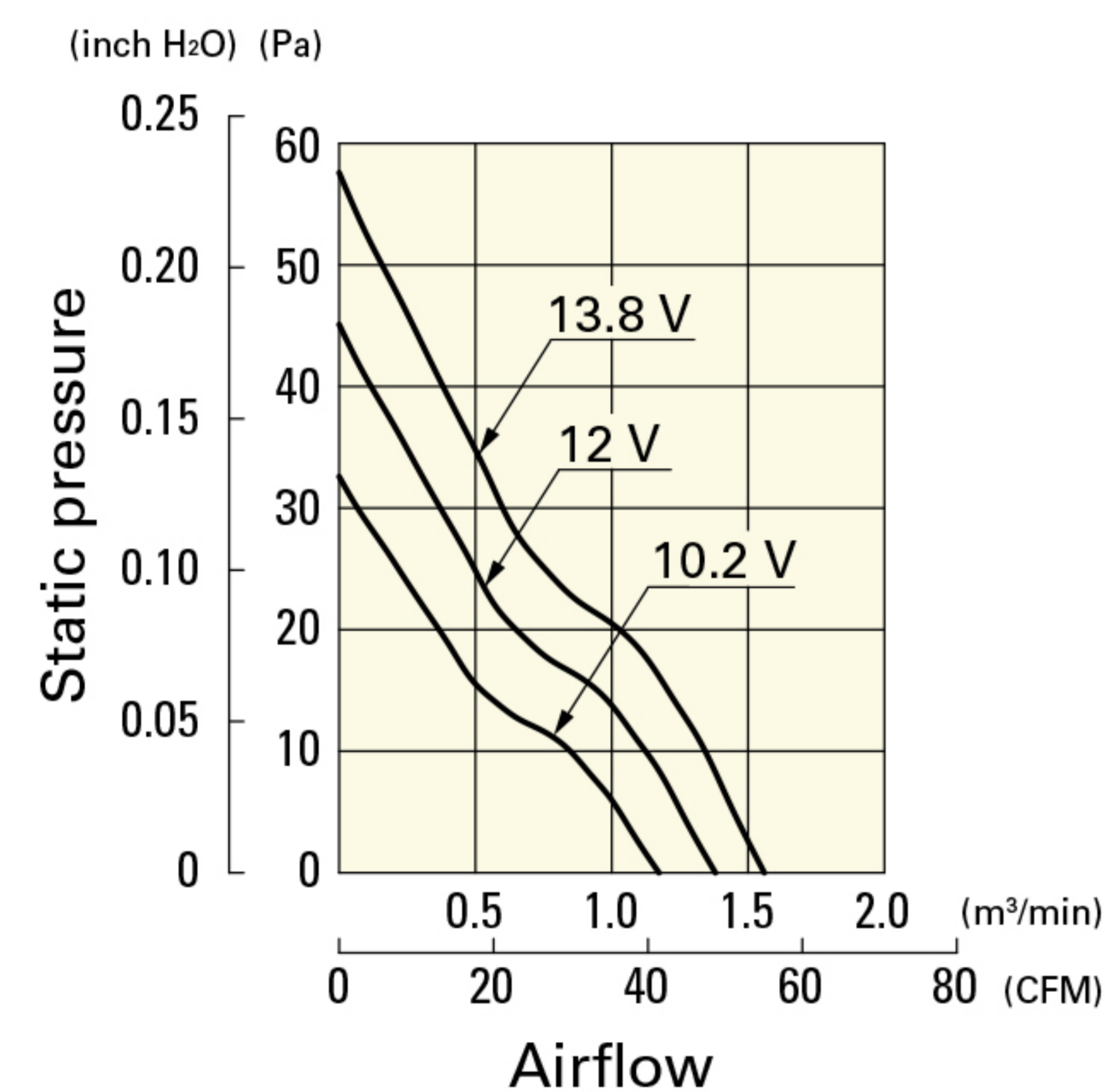
Available for all models. Without sensor

Differs according to the model. Refer to the table on p. 581. Lock sensor

Airflow - Static Pressure Characteristics

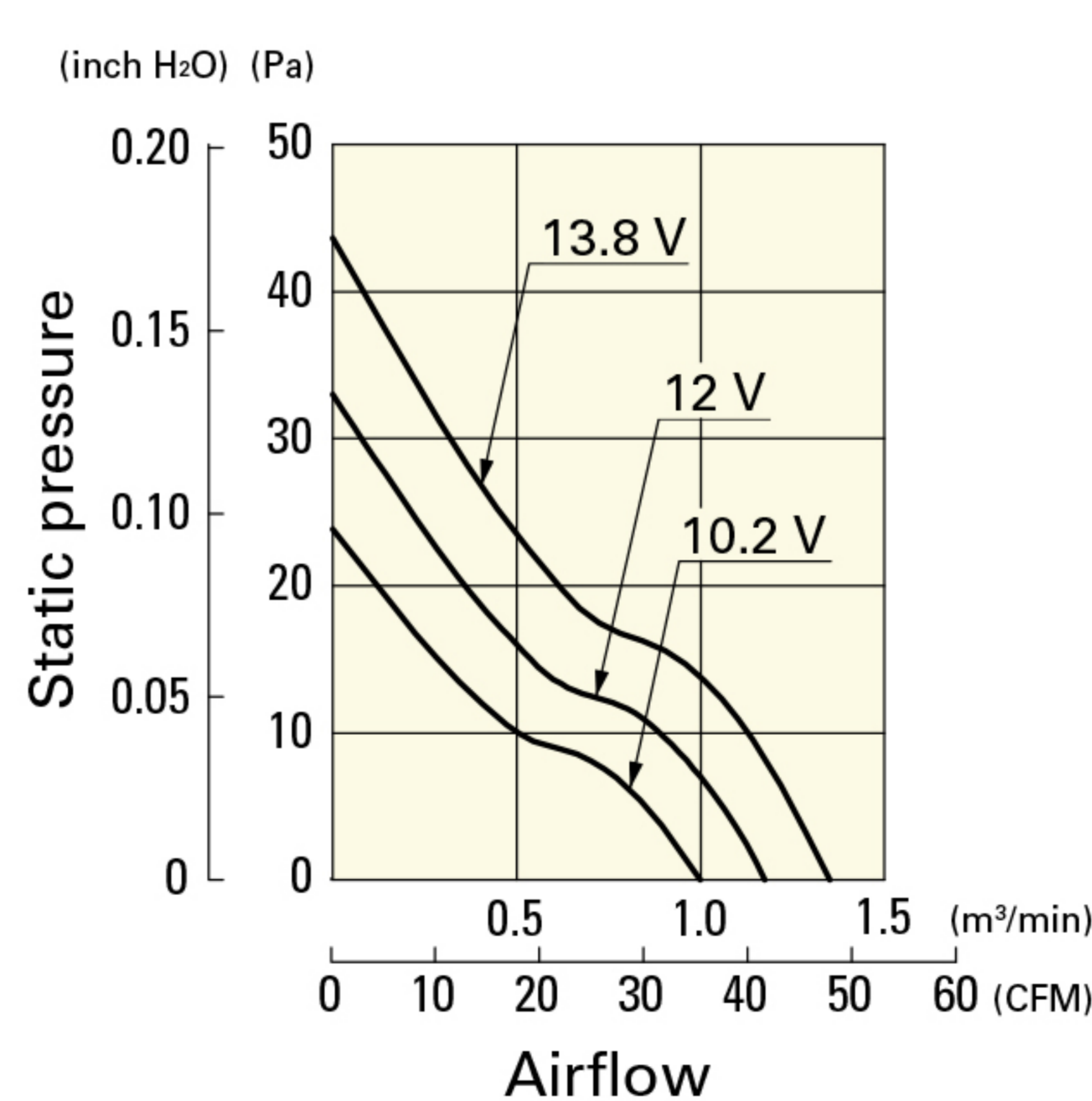
9WS0912H401 With pulse sensor

Operating voltage range



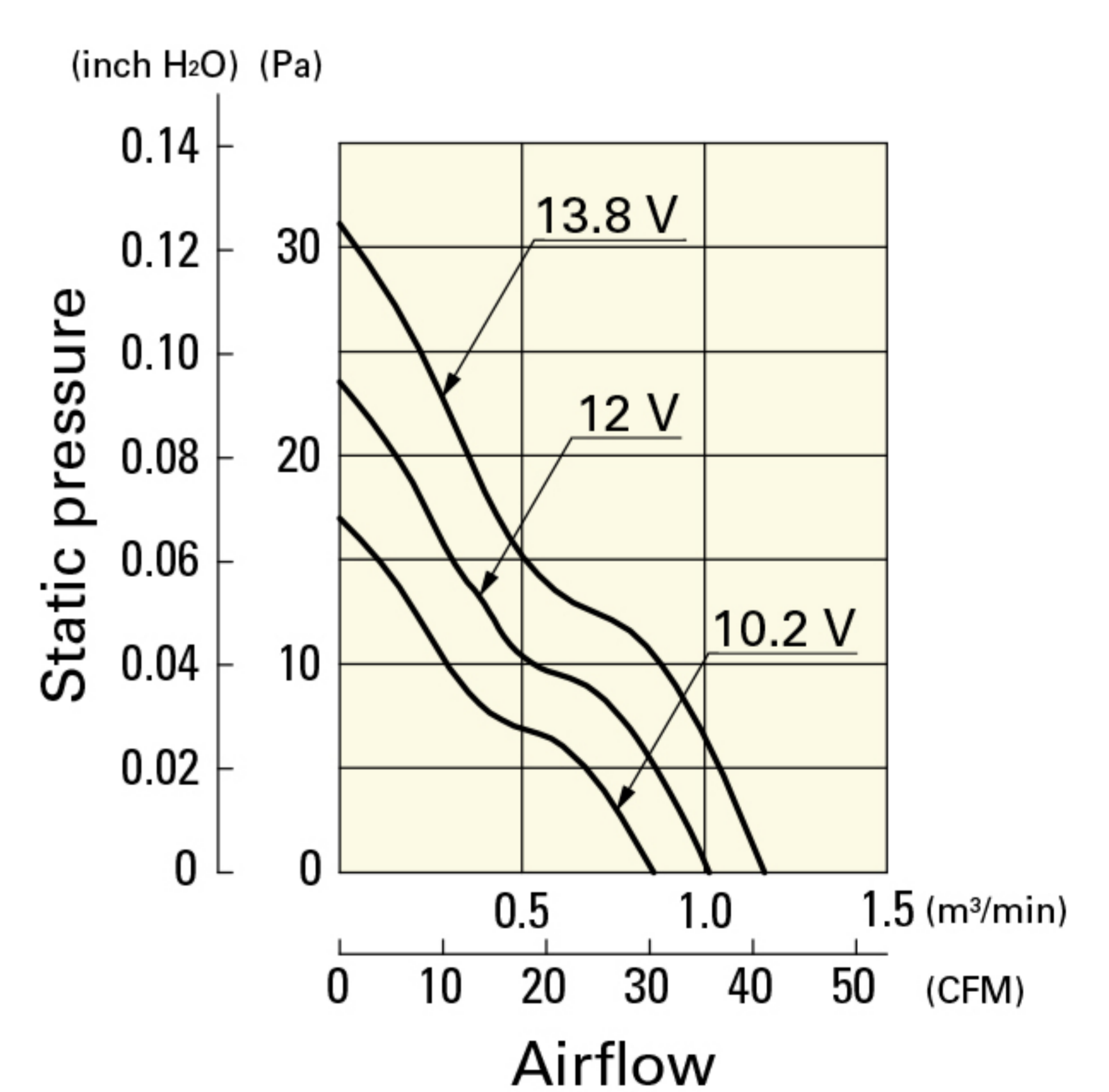
9WS0912F401 With pulse sensor

Operating voltage range



9WS0912M401 With pulse sensor

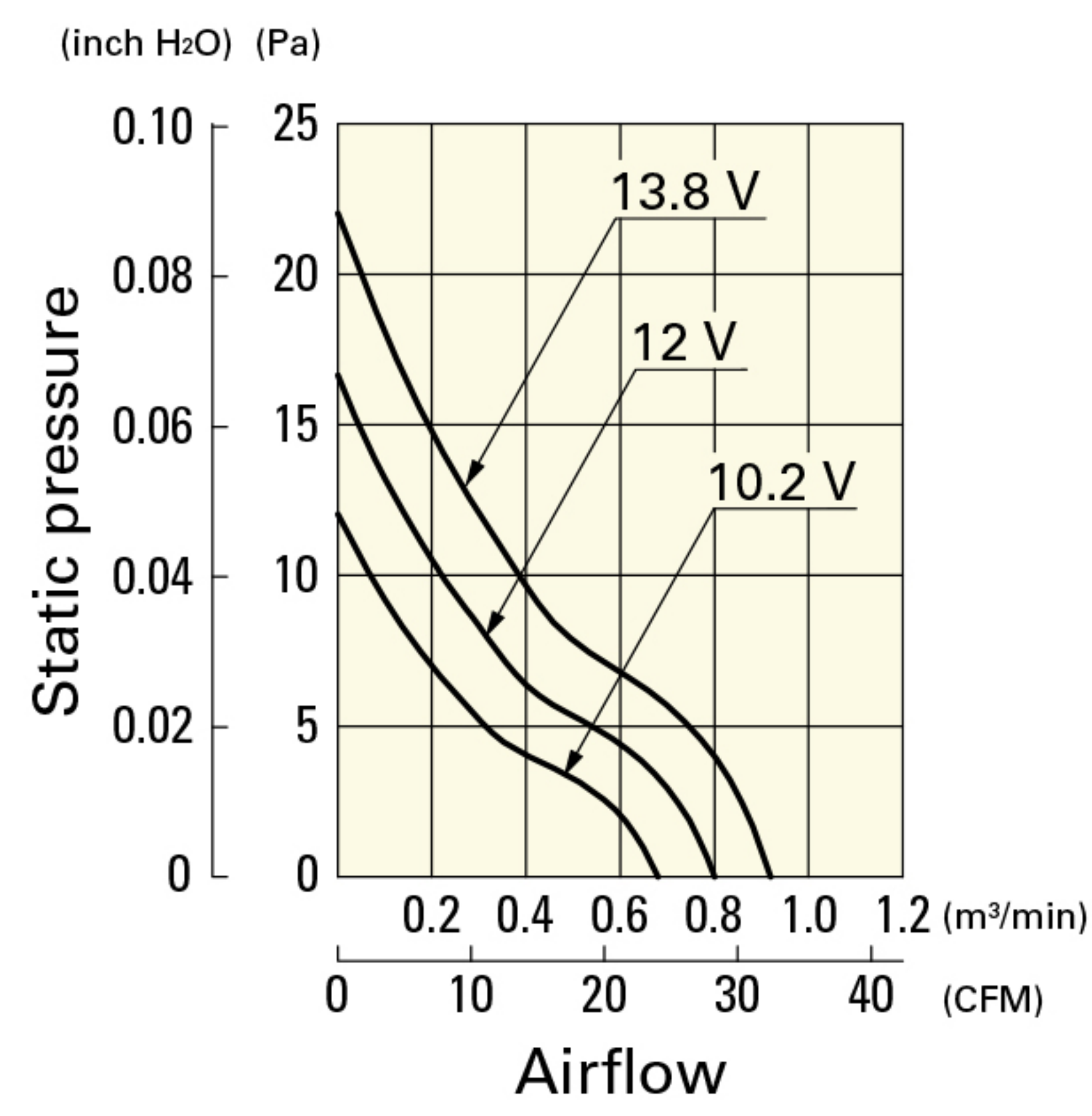
Operating voltage range



Airflow - Static Pressure Characteristics

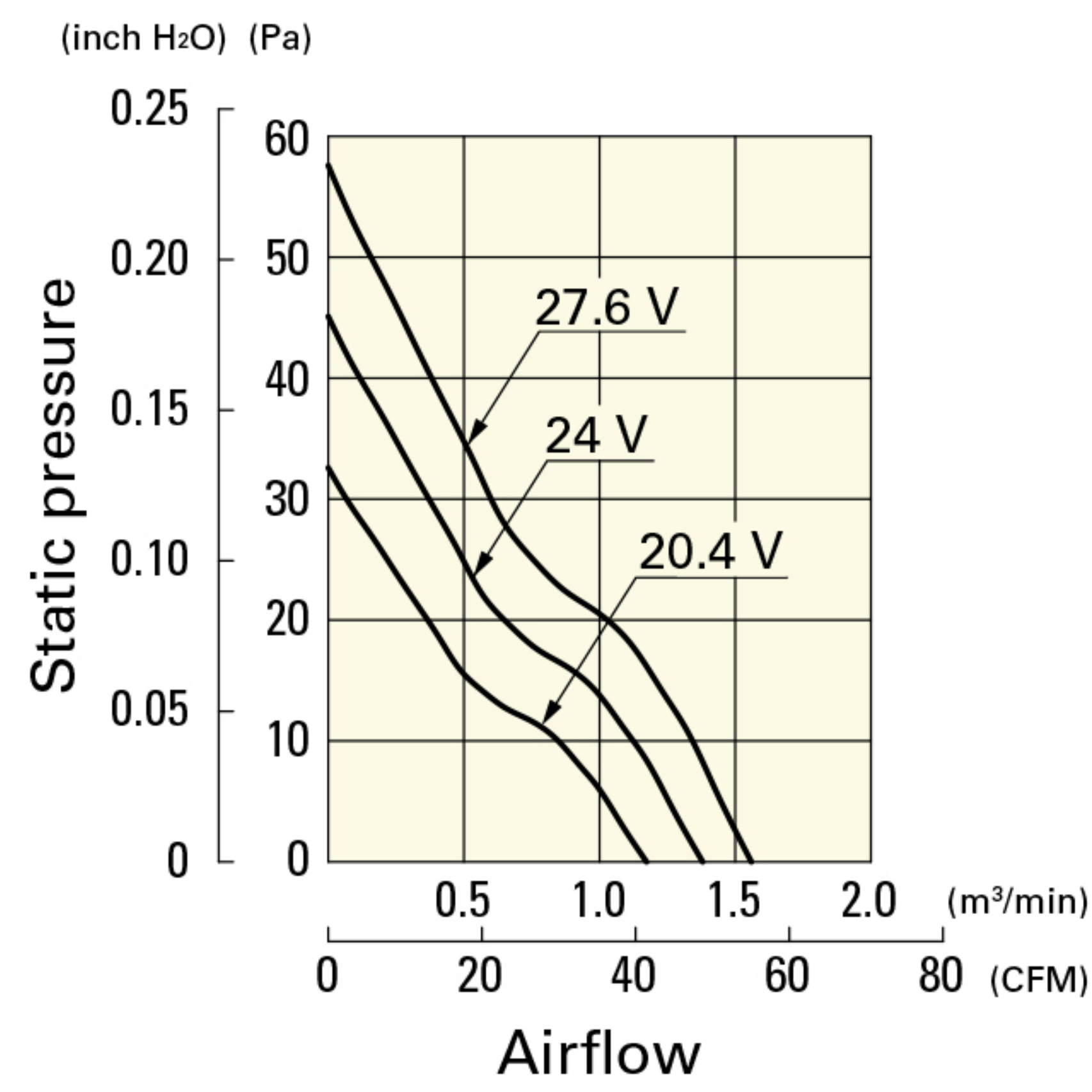
9WS0912L401 With pulse sensor

Operating voltage range



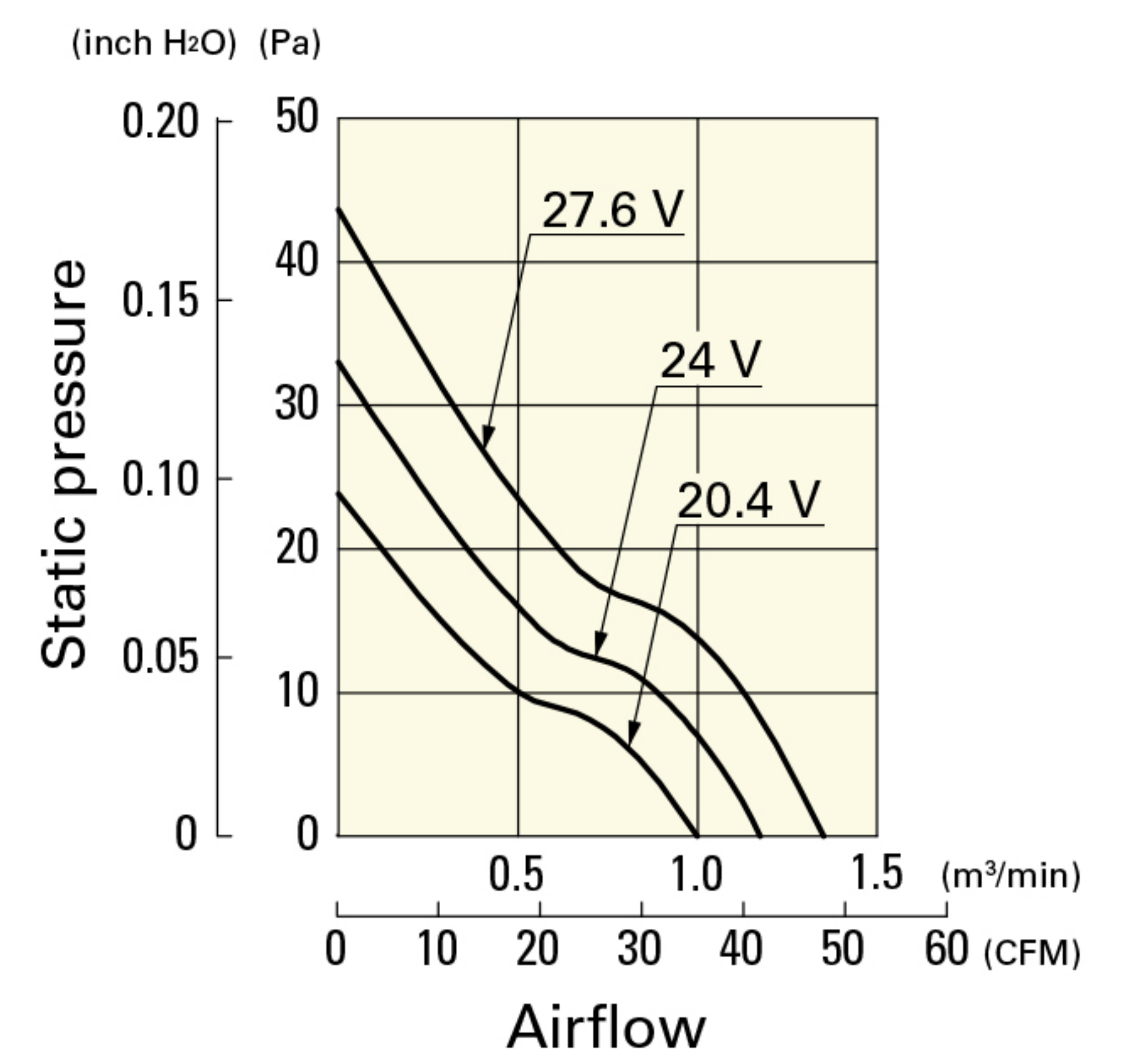
9WS0924H401 With pulse sensor

Operating voltage range



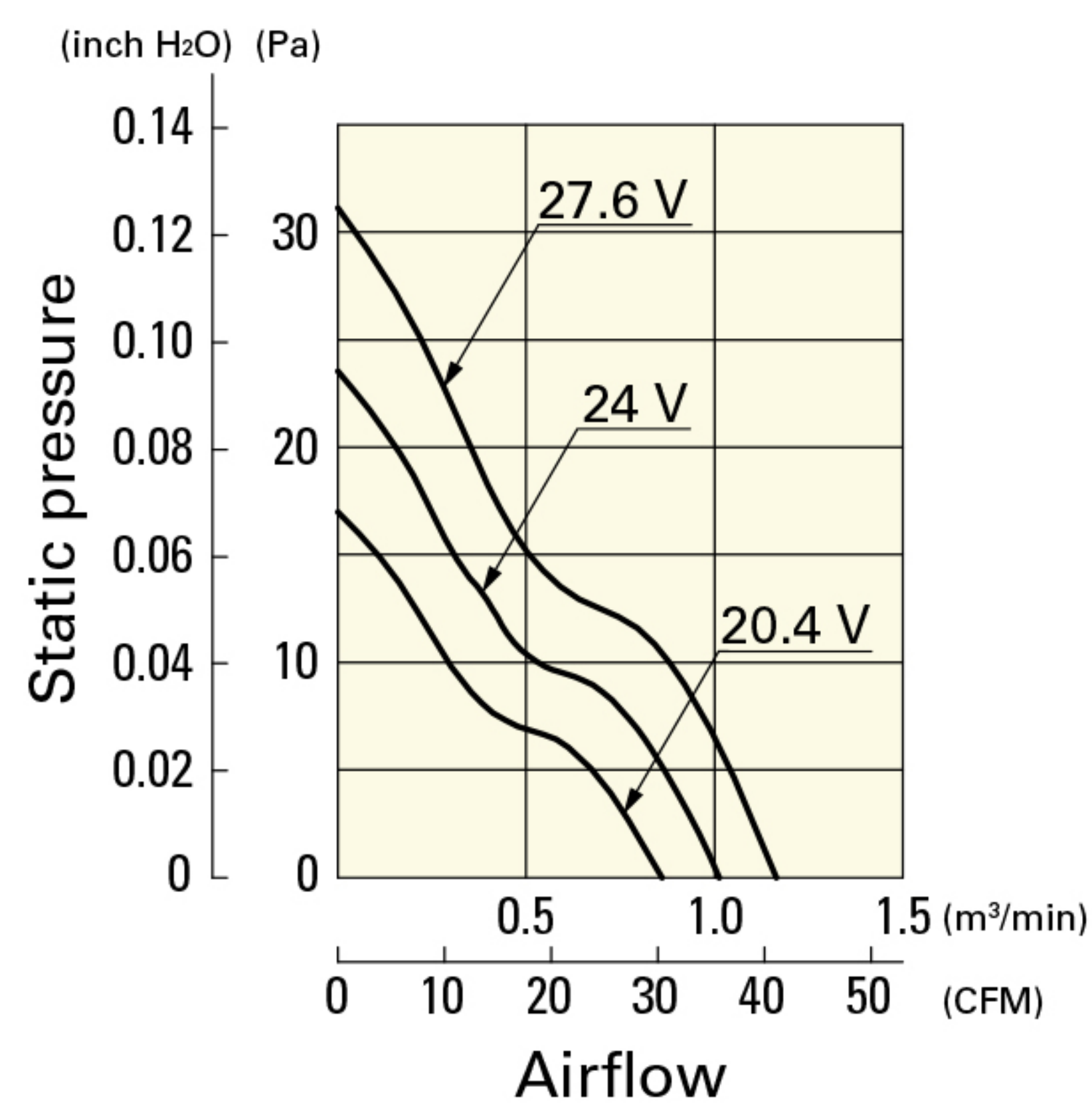
9WS0924F401 With pulse sensor

Operating voltage range



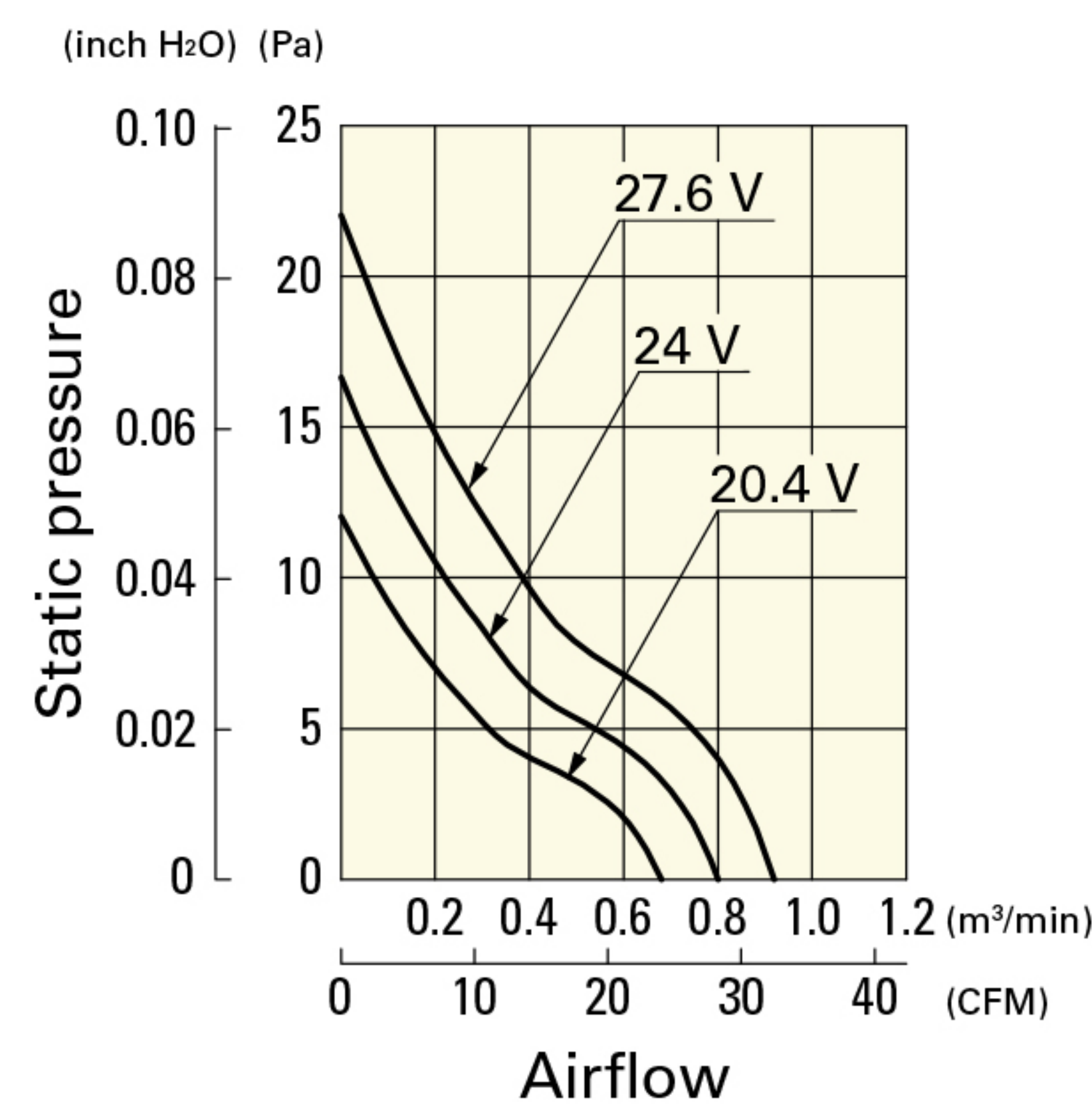
9WS0924M401 With pulse sensor

Operating voltage range

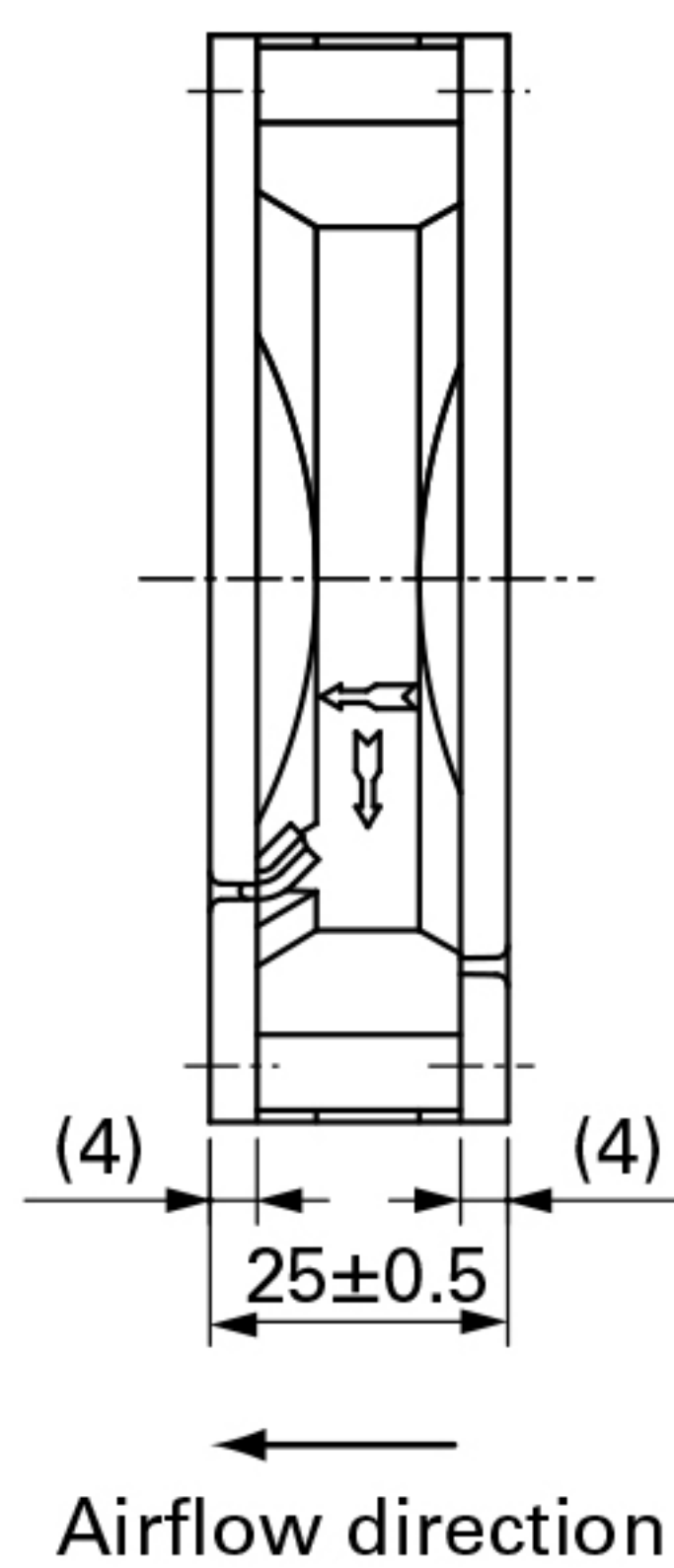
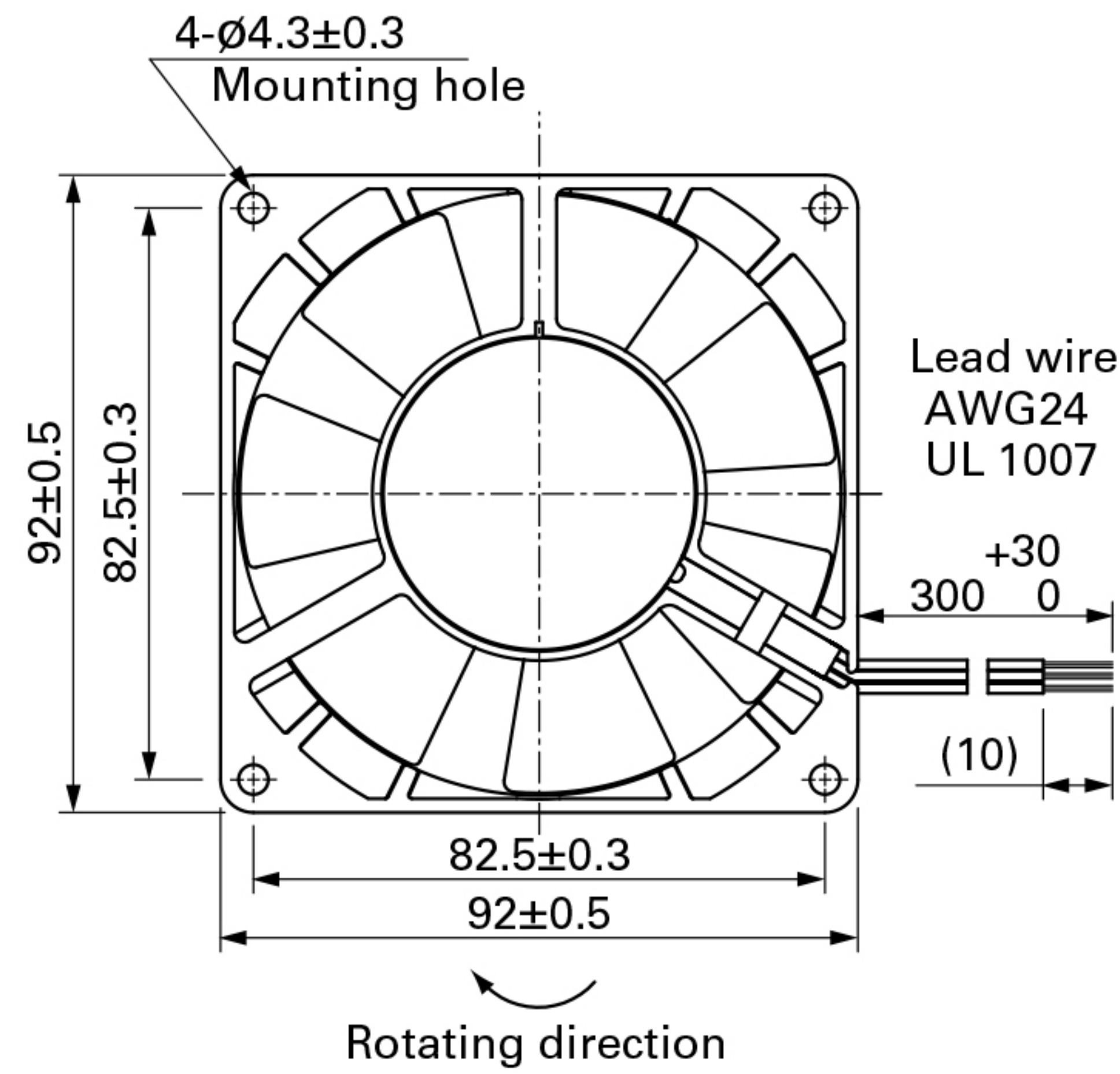


9WS0924L401 With pulse sensor

Operating voltage range

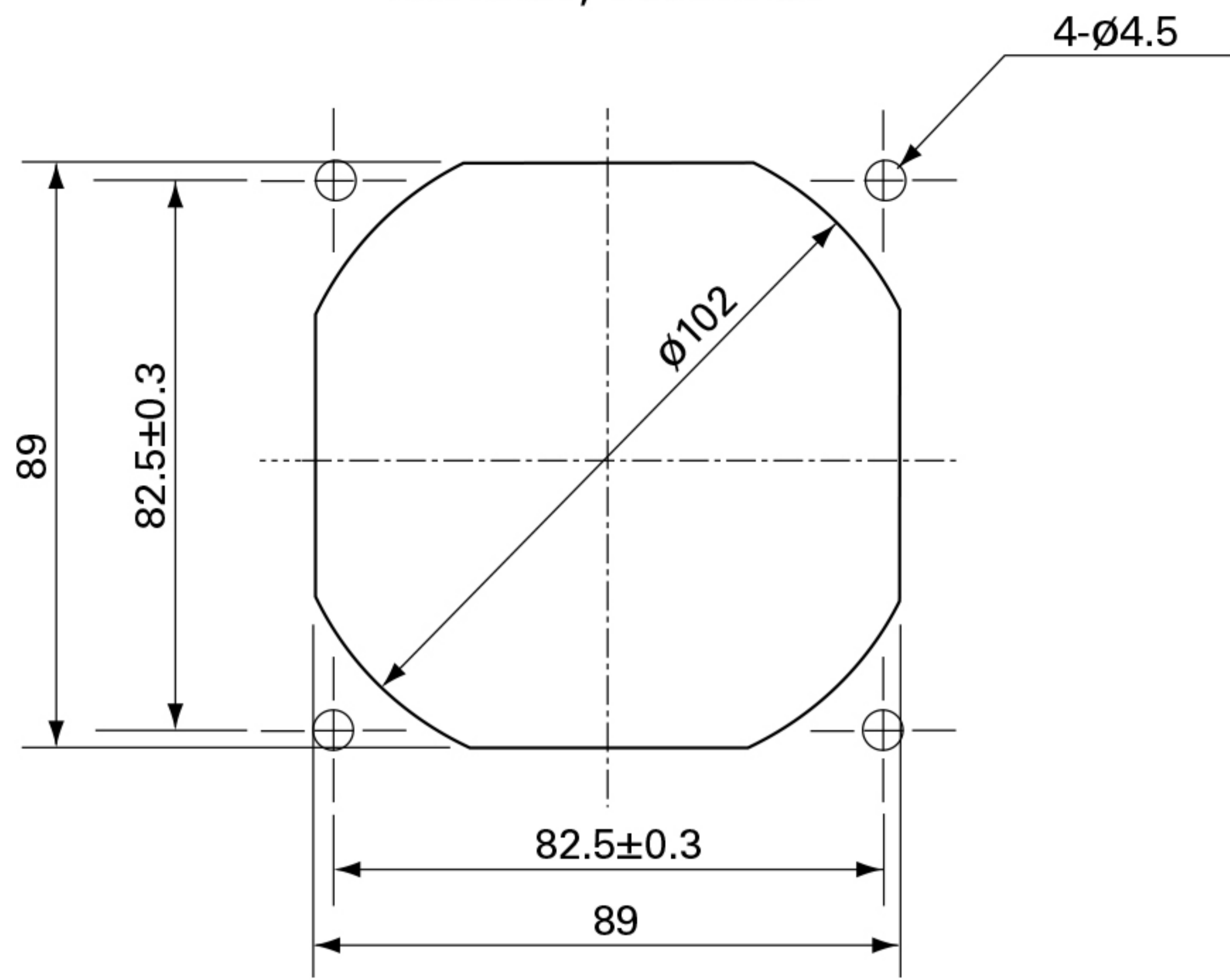


Dimensions (unit: mm)



Reference Dimensions of Mounting Holes and Vent Opening (unit: mm)

Inlet side, Outlet side



Options

Finger guards

page: p. 532

Model no.: 109-099E, 109-099H, 109-099C

Resin finger guards

page: p. 539

Model no.: 109-1001G