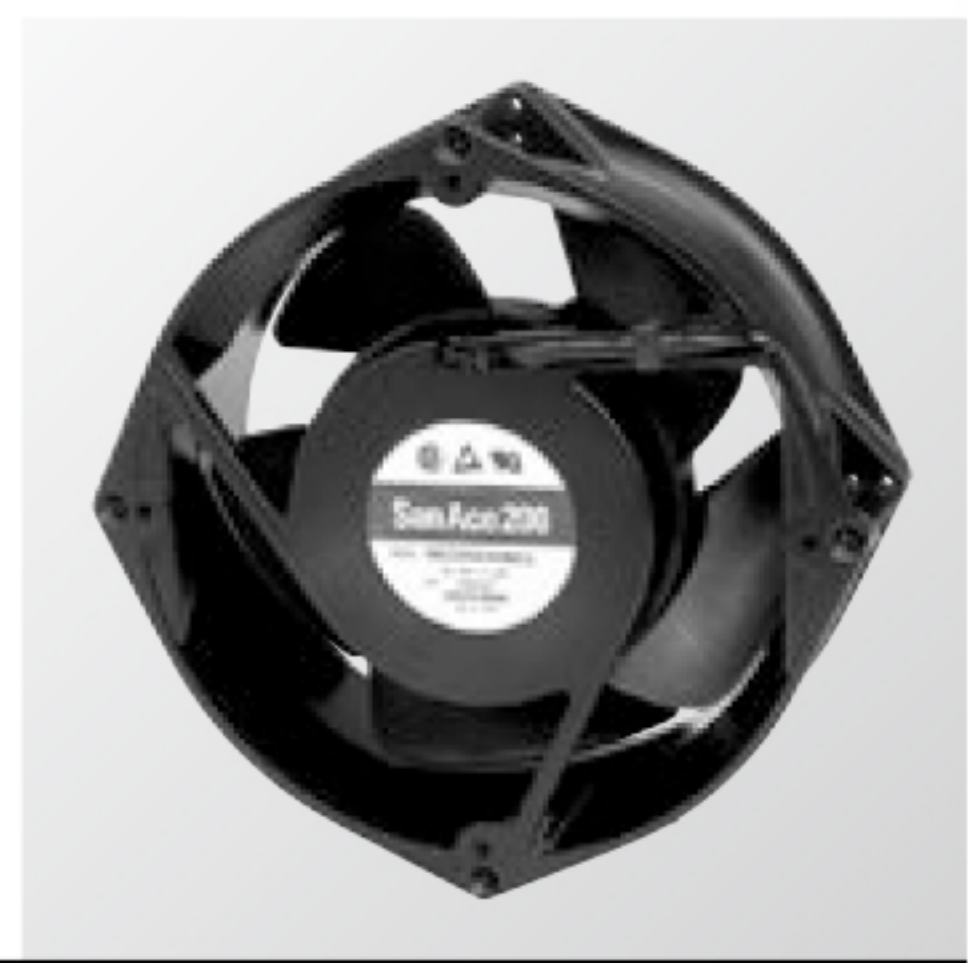


\varnothing 200x70 mm



San Ace 200 9EC type Model 9EC2048J001 is not certified.

General Specifications

- Material Frame: Aluminum (Black coating), Impeller: Plastic (Flammability: UL 94V-1)
- Expected life See the table below. (L10 life: 90% survival rate for continuous operation in free air at 60°C, rated voltage)
- Motor protection function Locked rotor burnout protection, Reverse polarity protection
For details, please refer to p. 547.
- Dielectric strength 50/60 Hz, 500 VAC, for 1 minute (between lead wire conductors and frame)
- Insulation resistance 10 M Ω or more with a 500 VDC megger (between lead wire conductors and frame)
- Sound pressure level (SPL) At 1 m away from the air inlet
- Storage temperature -30 to +70°C (Non-condensing)
- Lead wire \oplus Red \ominus Black or Blue Sensor Yellow
- Mass 1800 g

Power on when current is shut off. Do not power on 10 s or more after power off.

Specifications

The models listed below **have pulse sensors**.

Model no.	Rated voltage [V]	Operating voltage range [V]	Rated current [A]	Rated input [W]	Rated speed [min ⁻¹]	Max. airflow [m ³ /min] [CFM]	Max. static pressure [Pa] [inchH ₂ O]	SPL [dB (A)]	Operating temperature [°C]	Expected life [h]
9EC2024H001	24	20.4 to 26.4	2.0	48.0	3600	11.0 388	360 1.446	60	-20 to +60	40000/60°C
9EC2048J001	48	40.8 to 55.2	4.4	211.2	6100	18.3 646	1000 4.016	75		
9EC2048A001		43.0 to 51.0	2.2	105.6	4800	14.7 519	640 2.57	68		
9EC2048H001		40.8 to 52.8	1.2	57.6	3600	11.0 388	360 1.446	60		

The following sensor and control options are available for selection.

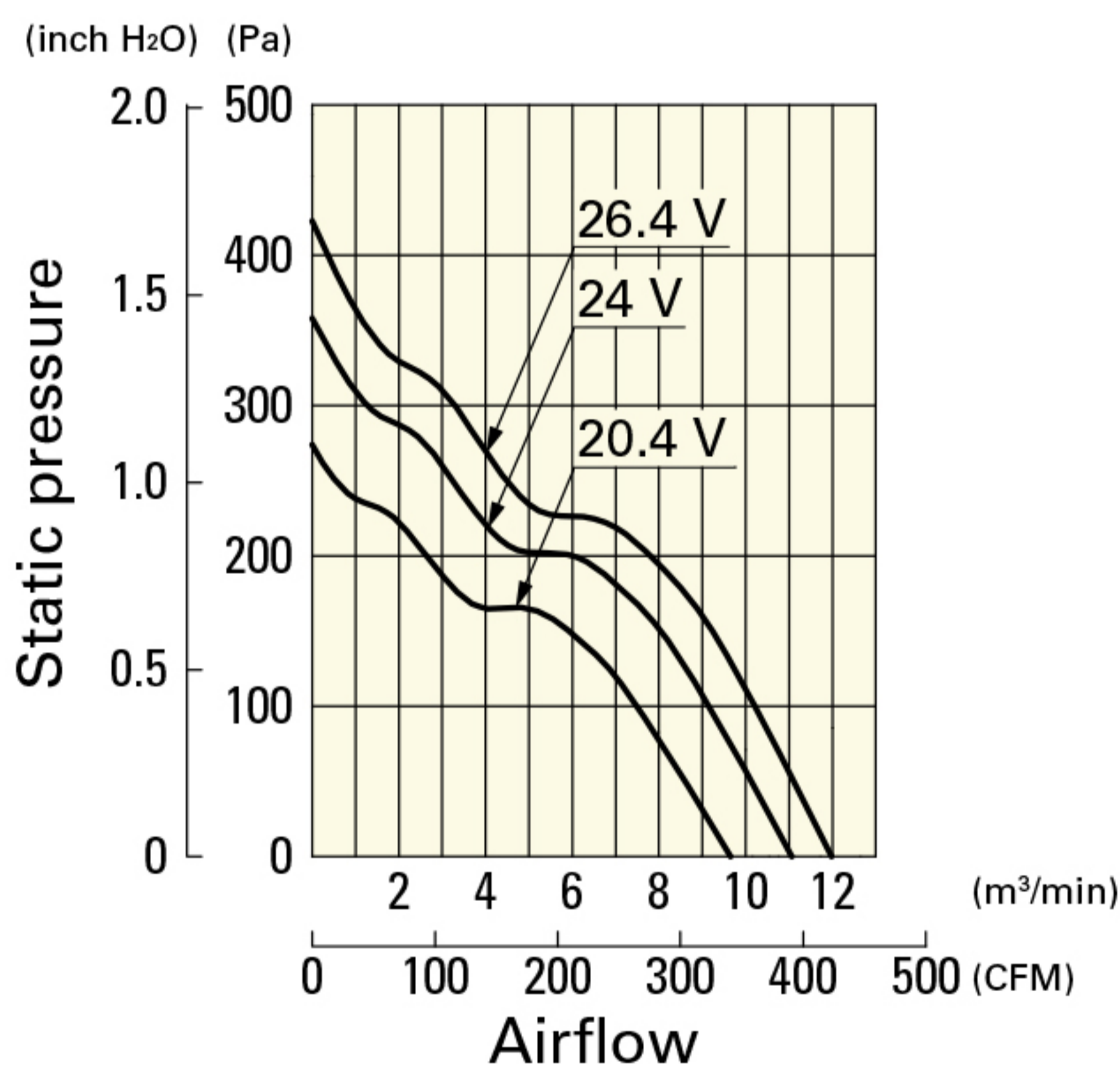
Available for all models. Without sensor

Differs according to the model. Refer to the table on p. 567. Lock sensor PWM control

Airflow - Static Pressure Characteristics

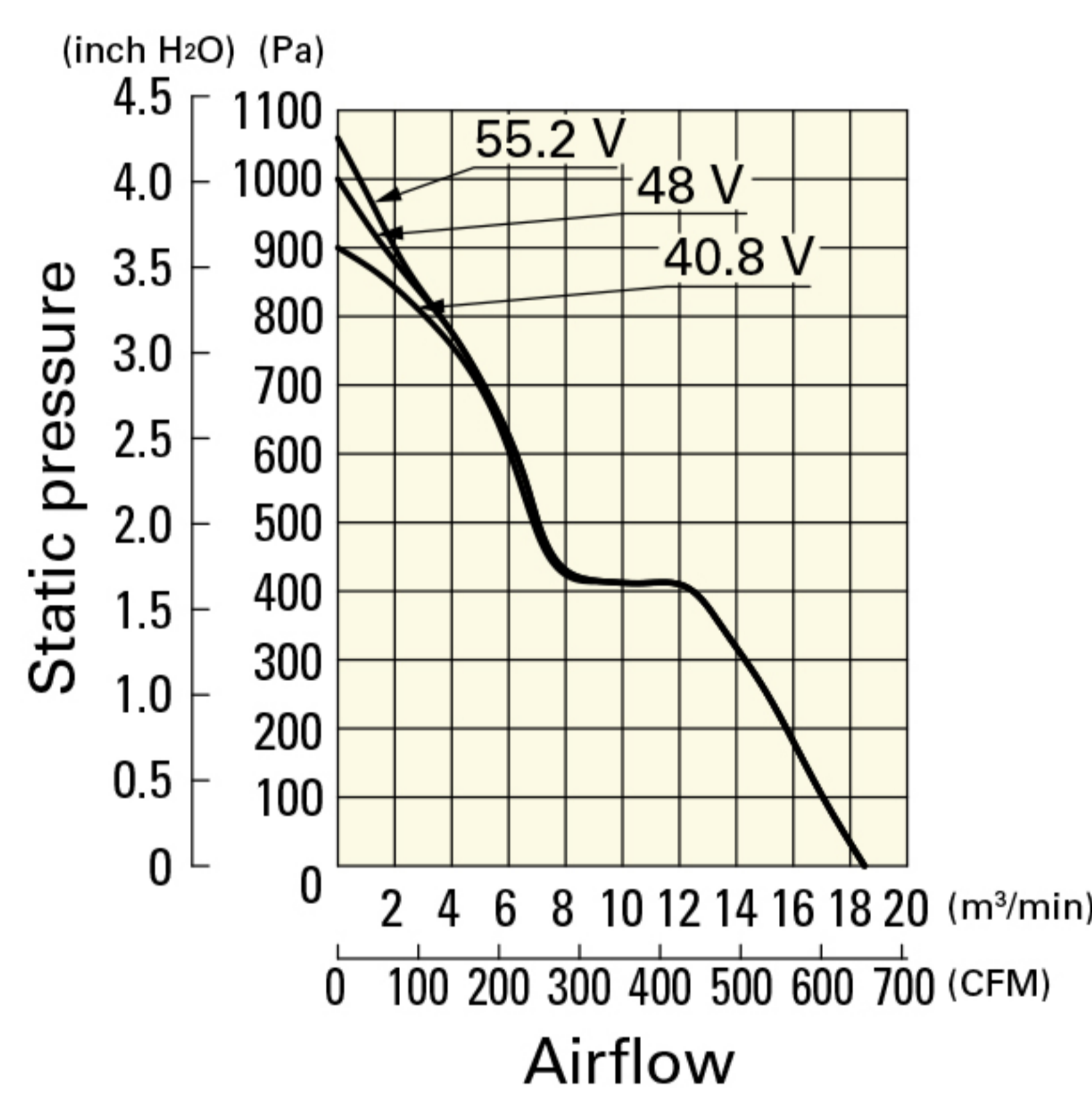
9EC2024H001 With pulse sensor

Operating voltage range



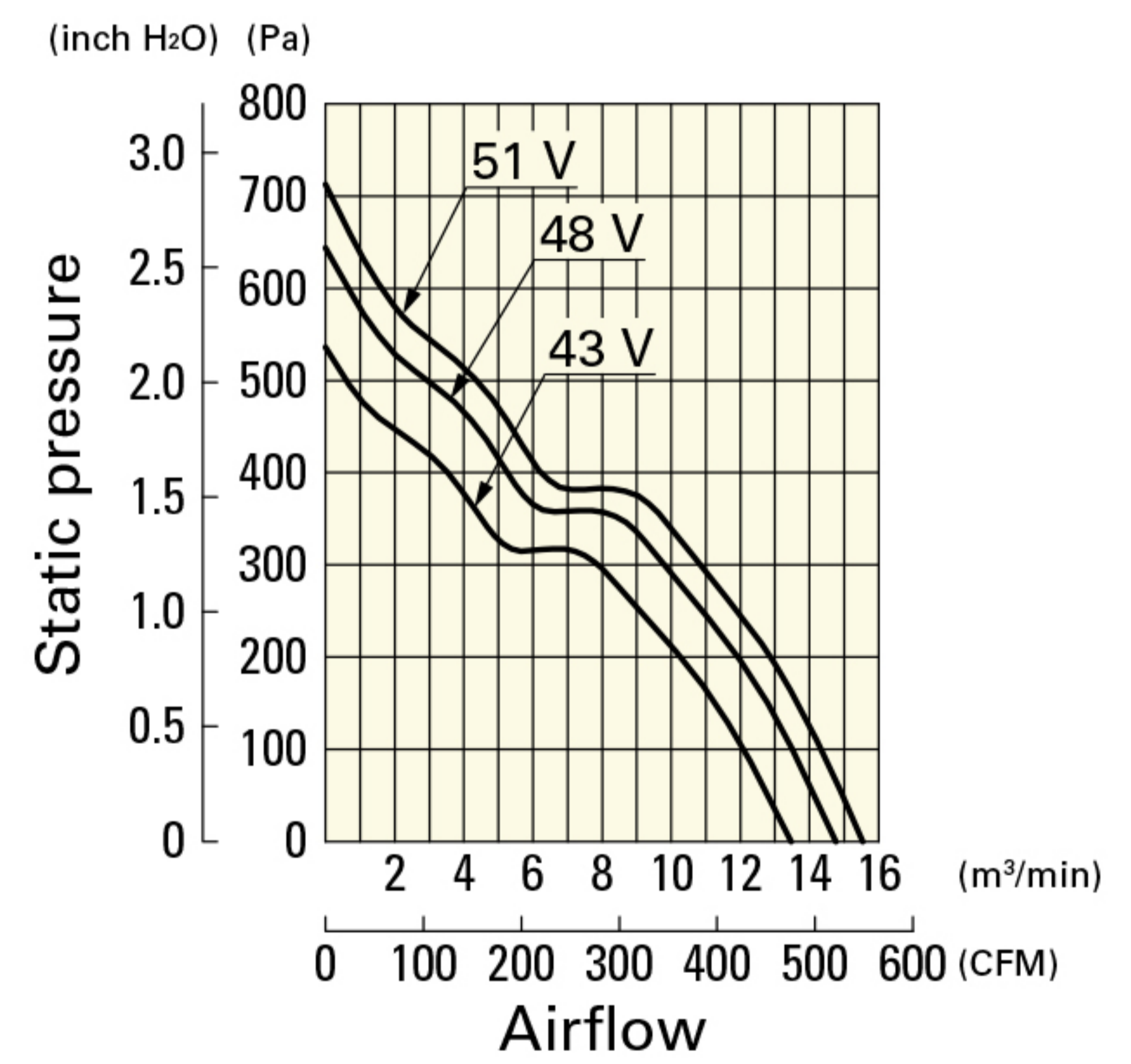
9EC2048J001 With pulse sensor

Operating voltage range



9EC2048A001 With pulse sensor

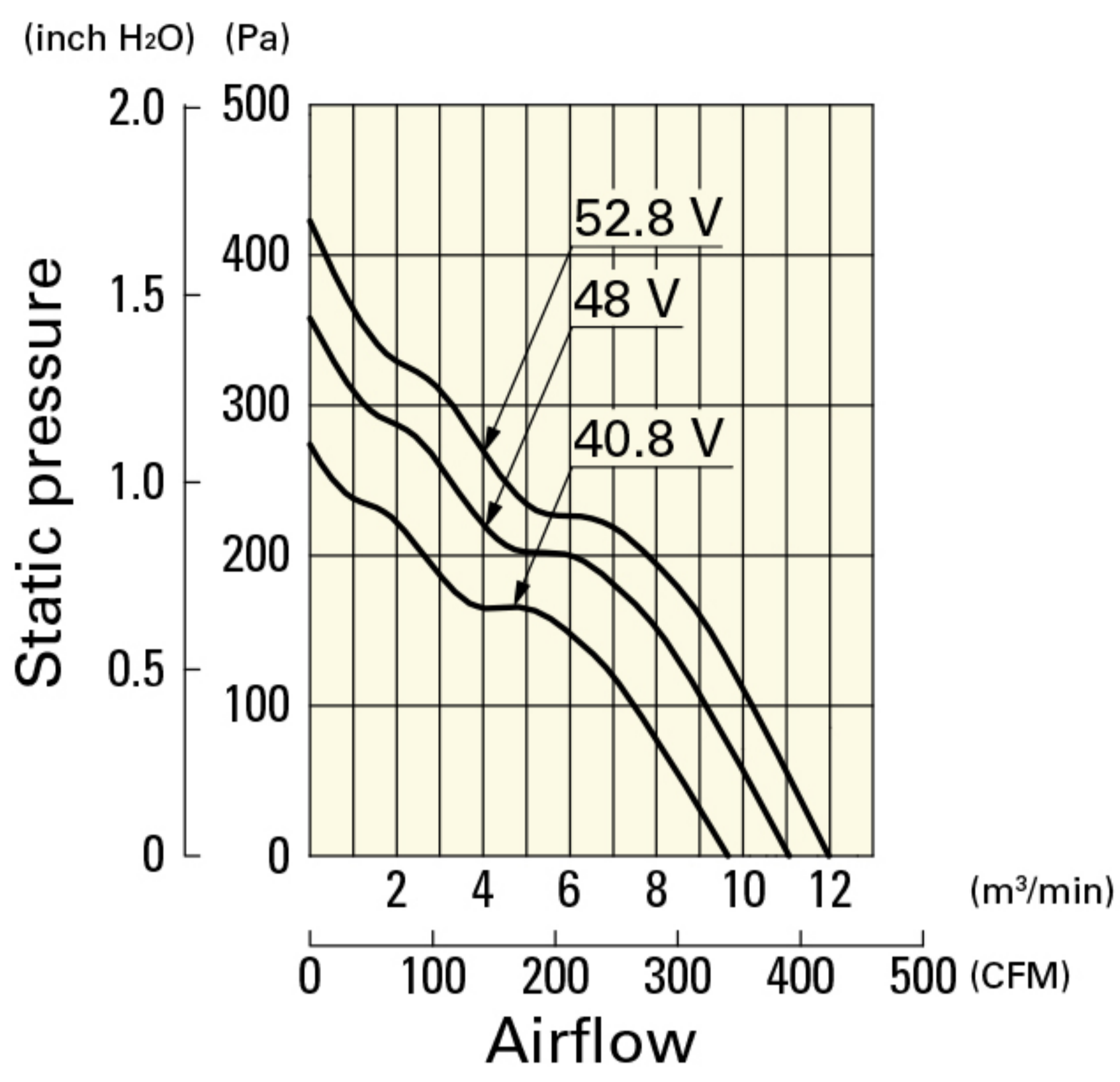
Operating voltage range



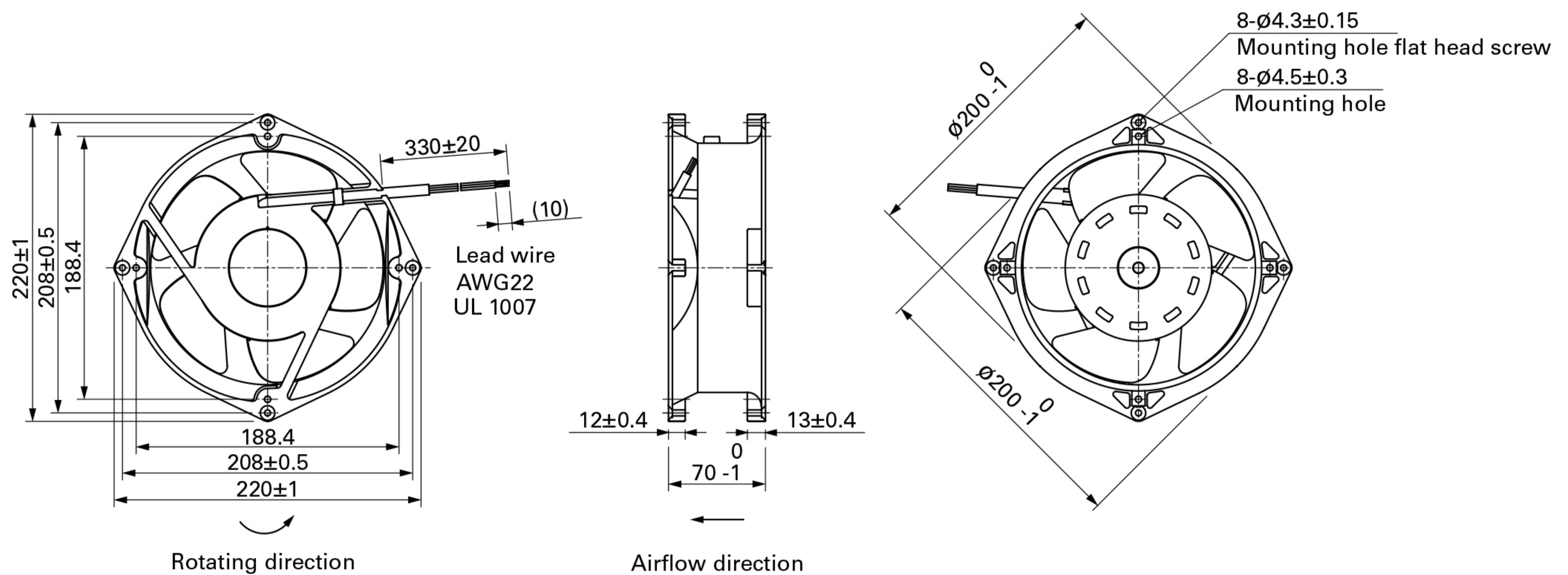
Airflow - Static Pressure Characteristics

9EC2048H001 With pulse sensor

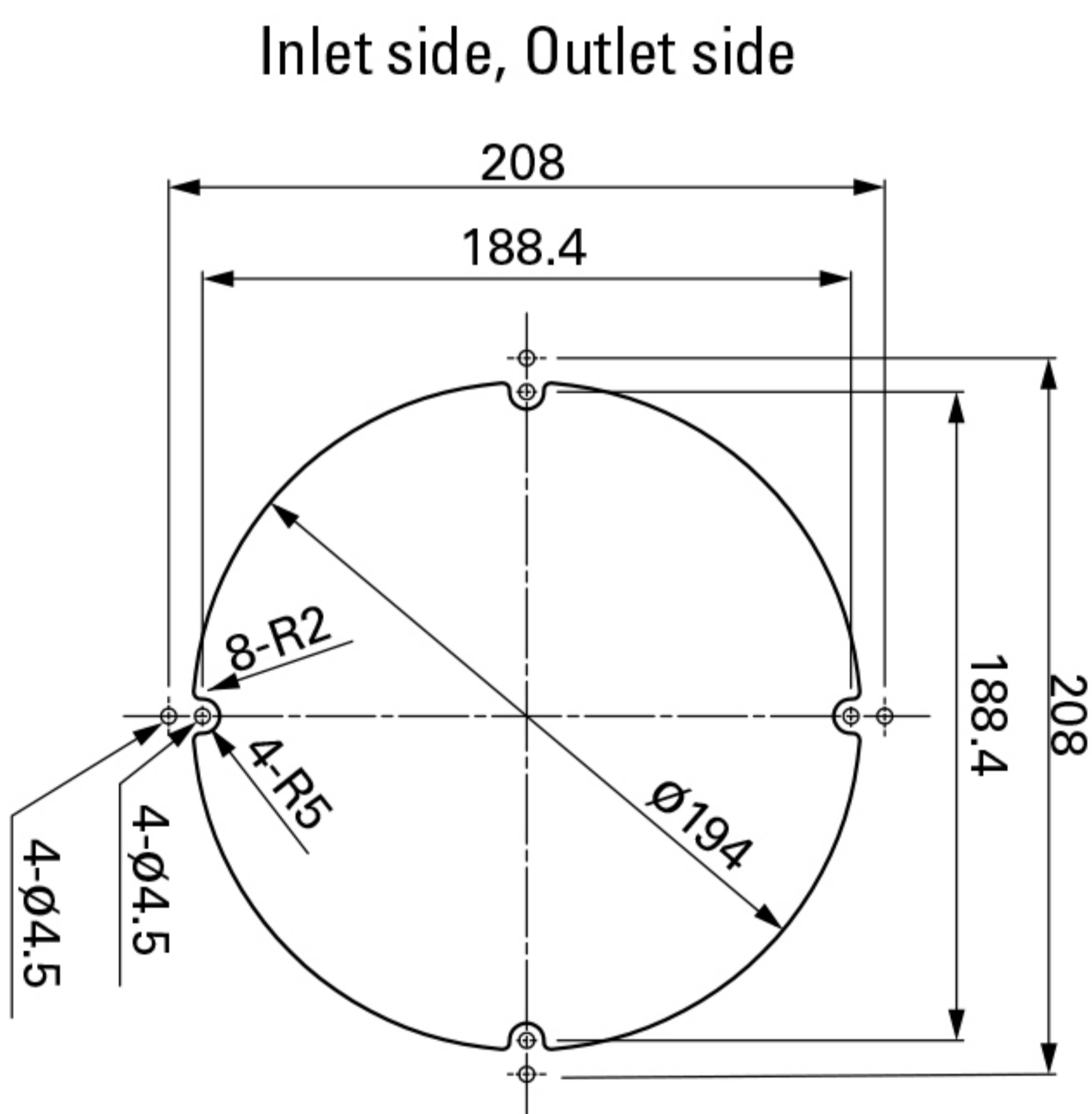
Operating voltage range



Dimensions (unit: mm)



Reference Dimensions of Mounting Holes and Vent Opening (unit: mm)



Options

Finger guards

page: p. 535

Model no.: 109-720, 109-720H, 109-721, 109-721H