

# 127×127×38 mm

San Ace 127 9P type   



## General Specifications

- Material ..... Frame: Plastic (Flammability: UL 94V-0), Impeller: Plastic (Flammability: UL 94V-1)
- Expected life ..... See the table below. (L10 life: 90% survival rate for continuous operation in free air at 60°C, rated voltage)
- Motor protection function ..... Locked rotor burnout protection, Reverse polarity protection  
For details, please refer to p. 547.
- Dielectric strength ..... 50/60 Hz, 500 VAC, for 1 minute (between lead wire conductors and frame)
- Insulation resistance ..... 10 MΩ or more with a 500 VDC megger (between lead wire conductors and frame)
- Sound pressure level (SPL) ..... At 1 m away from the air inlet
- Storage temperature ..... -30 to +70°C (Non-condensing)
- Lead wire ..... ⊕Red ⊖Black or Blue Sensor Yellow
- Mass ..... 350 g

## Specifications

The models listed below **have ribs and pulse sensors**. For models without ribs, append "1" to the end of model numbers.

Model no.	Rated voltage [V]	Operating voltage range [V]	Rated current [A]	Rated input [W]	Rated speed [min <sup>-1</sup> ]	Max. airflow [m <sup>3</sup> /min] [CFM]	Max. static pressure [Pa] [inchH <sub>2</sub> O]	SPL [dB (A)]	Operating temperature [°C]	Expected life [h]
<b>109P1312S101</b>	12	10.2 to 13.8	1.3	15.6	3300	4.2 148	117.6 0.472	47	-20 to +60	40000/60°C
<b>109P1312H101</b>			0.82	9.84	2950	3.8 134	98 0.394	45		
<b>109P1324S101</b>	24	20.4 to 27.6	0.55	13.2	3300	4.2 148	117.6 0.472	47		
<b>109P1324H101</b>			0.41	9.84	2950	3.8 134	98 0.394	45		
<b>109P1348S101</b>	48	40.8 to 55.2	0.3	14.4	3300	4.2 148	117.6 0.472	47		
<b>109P1348H101</b>			0.2	9.6	2950	3.8 134	98 0.394	45		

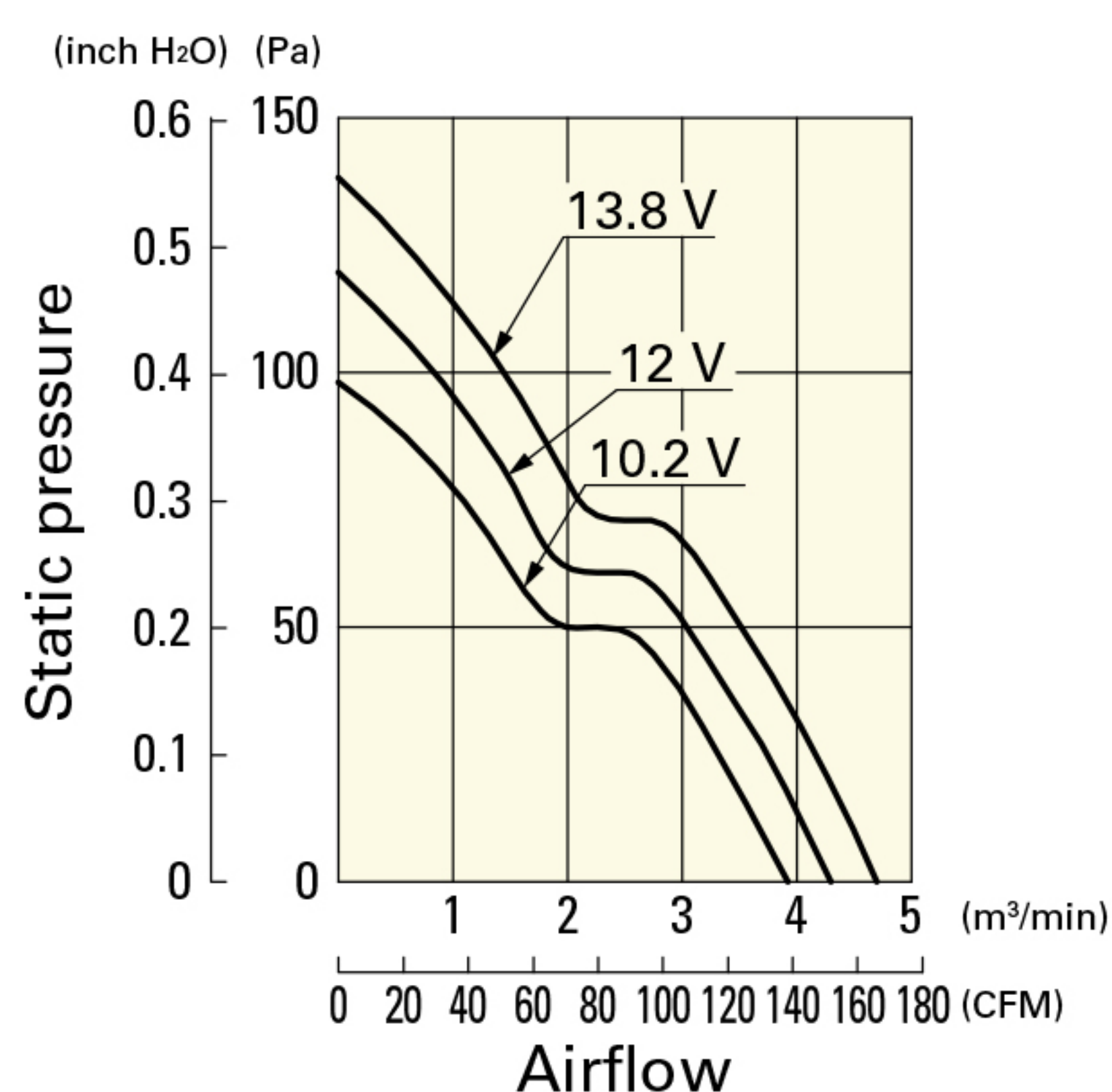
The following sensor and control options are available for selection.

Available for all models. Without sensor Lock sensor

## Airflow - Static Pressure Characteristics

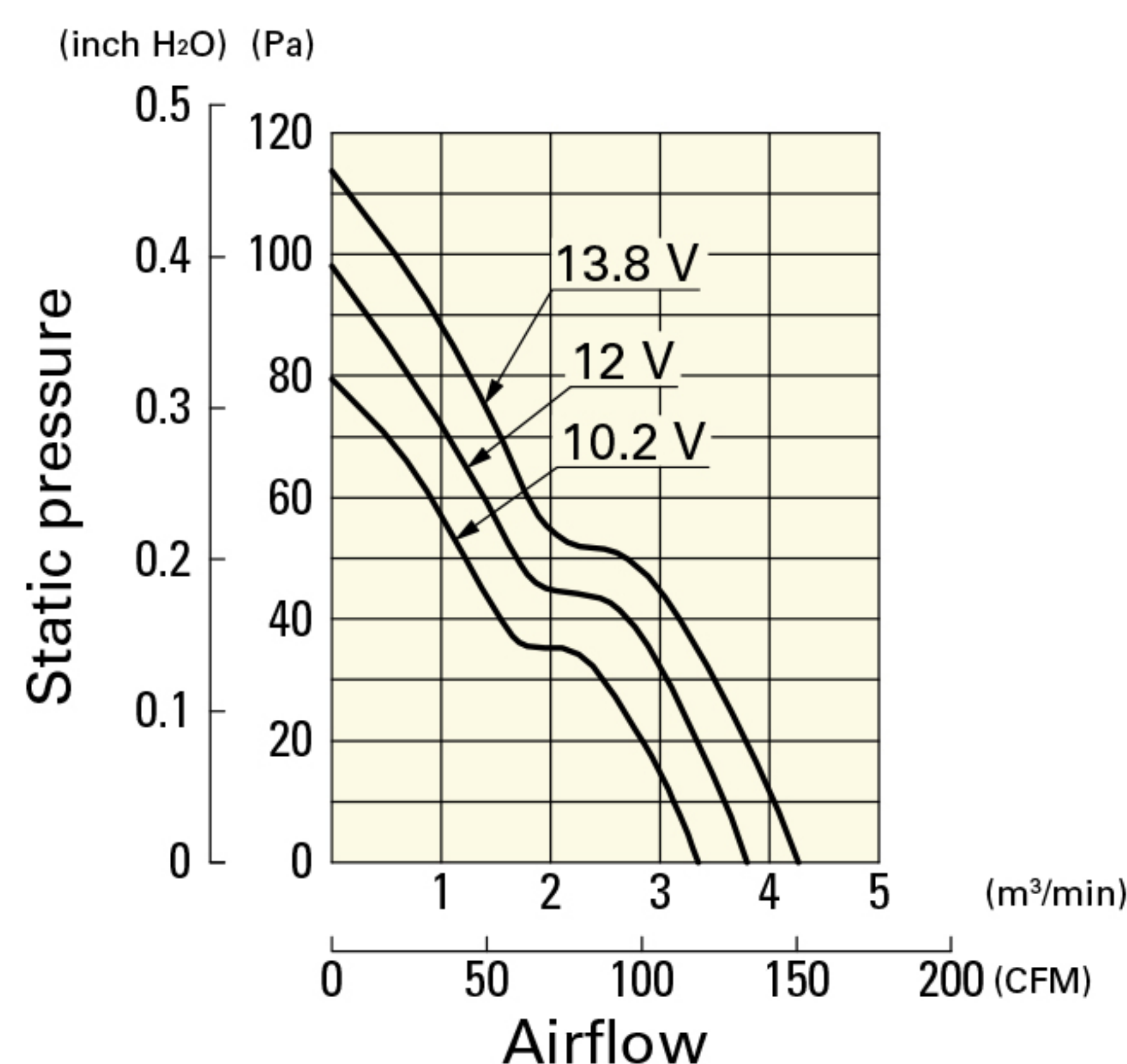
**109P1312S101** With pulse sensor

Operating voltage range



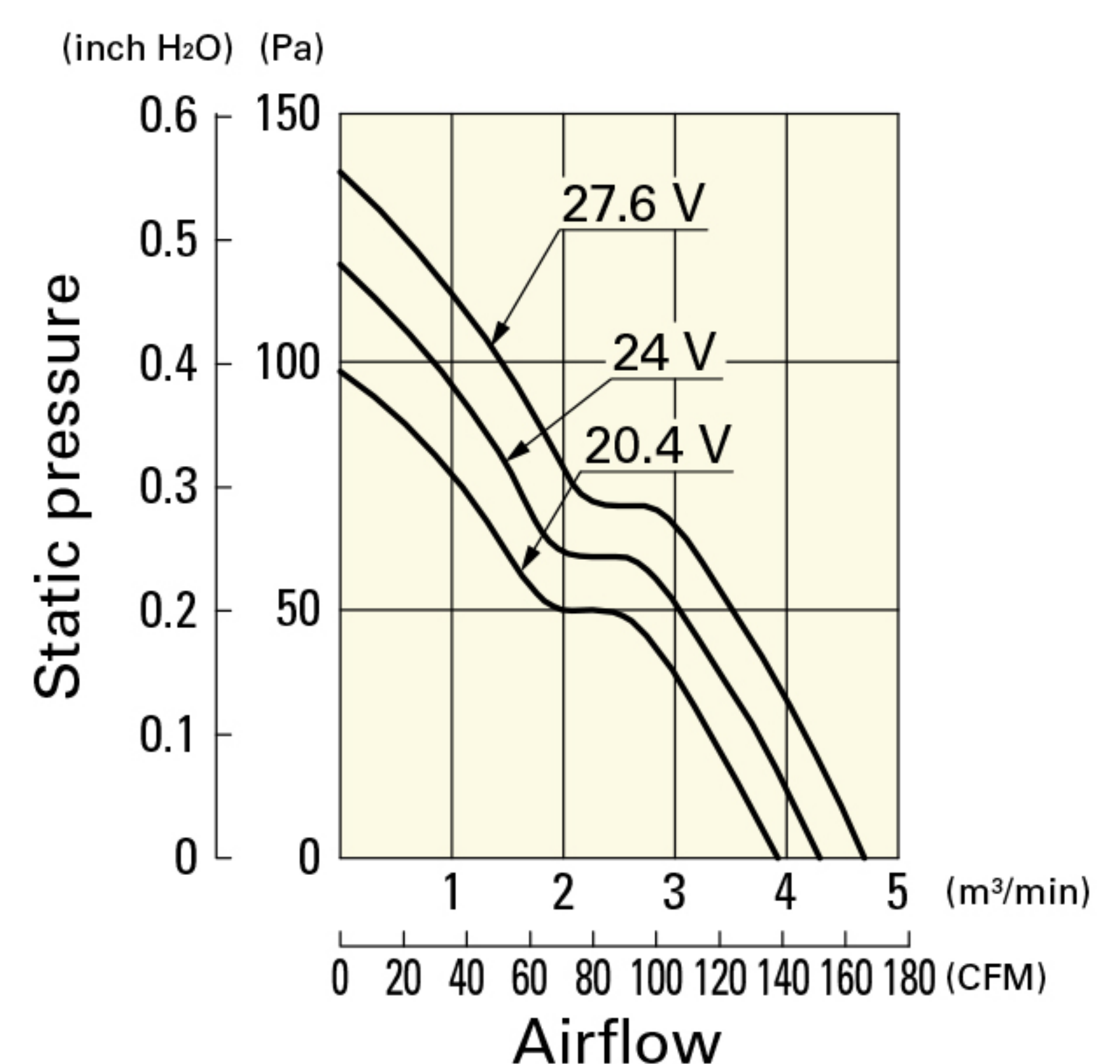
**109P1312H101** With pulse sensor

Operating voltage range



**109P1324S101** With pulse sensor

Operating voltage range



# Airflow - Static Pressure Characteristics

**109P1324H101** With pulse sensor

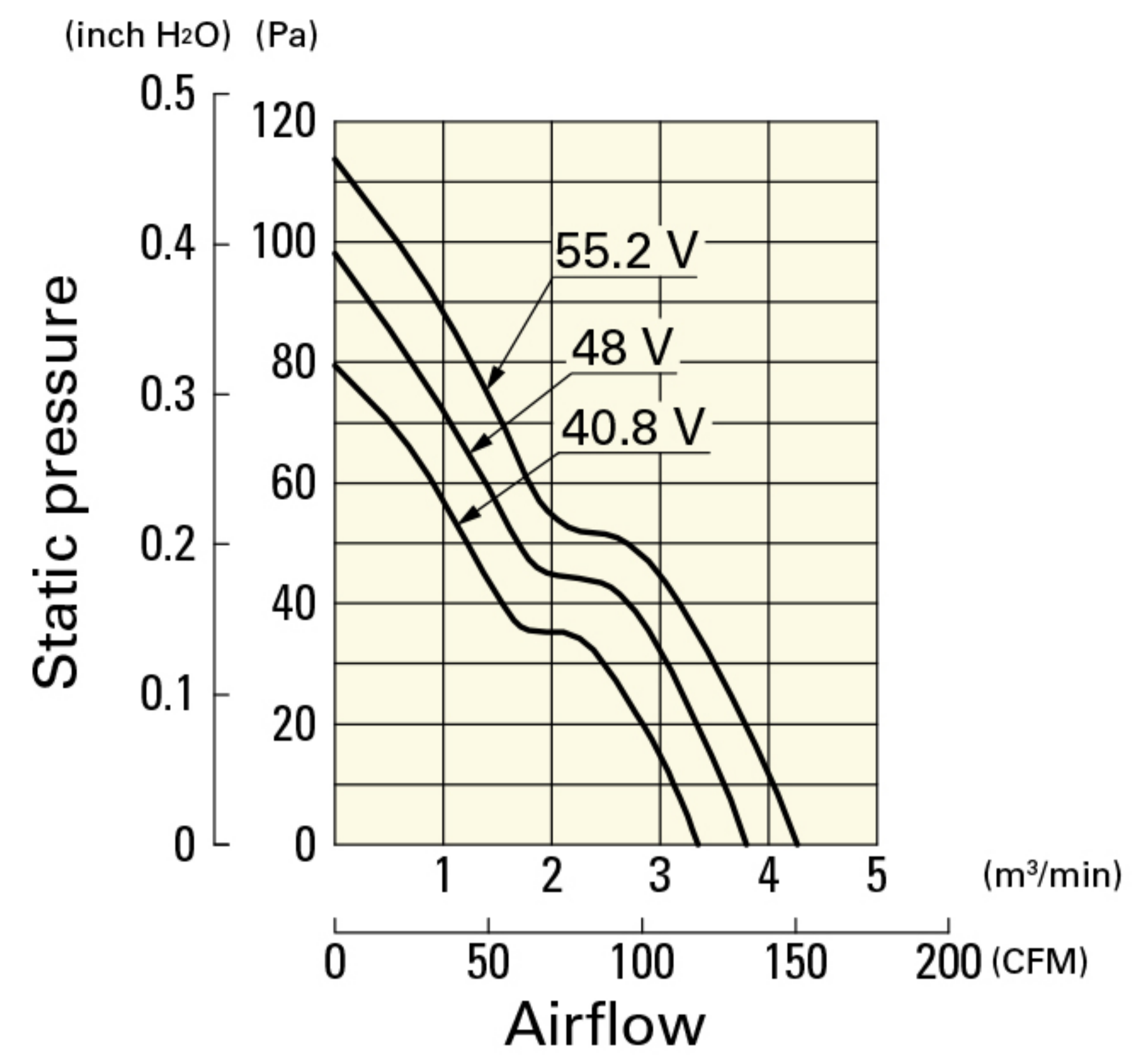
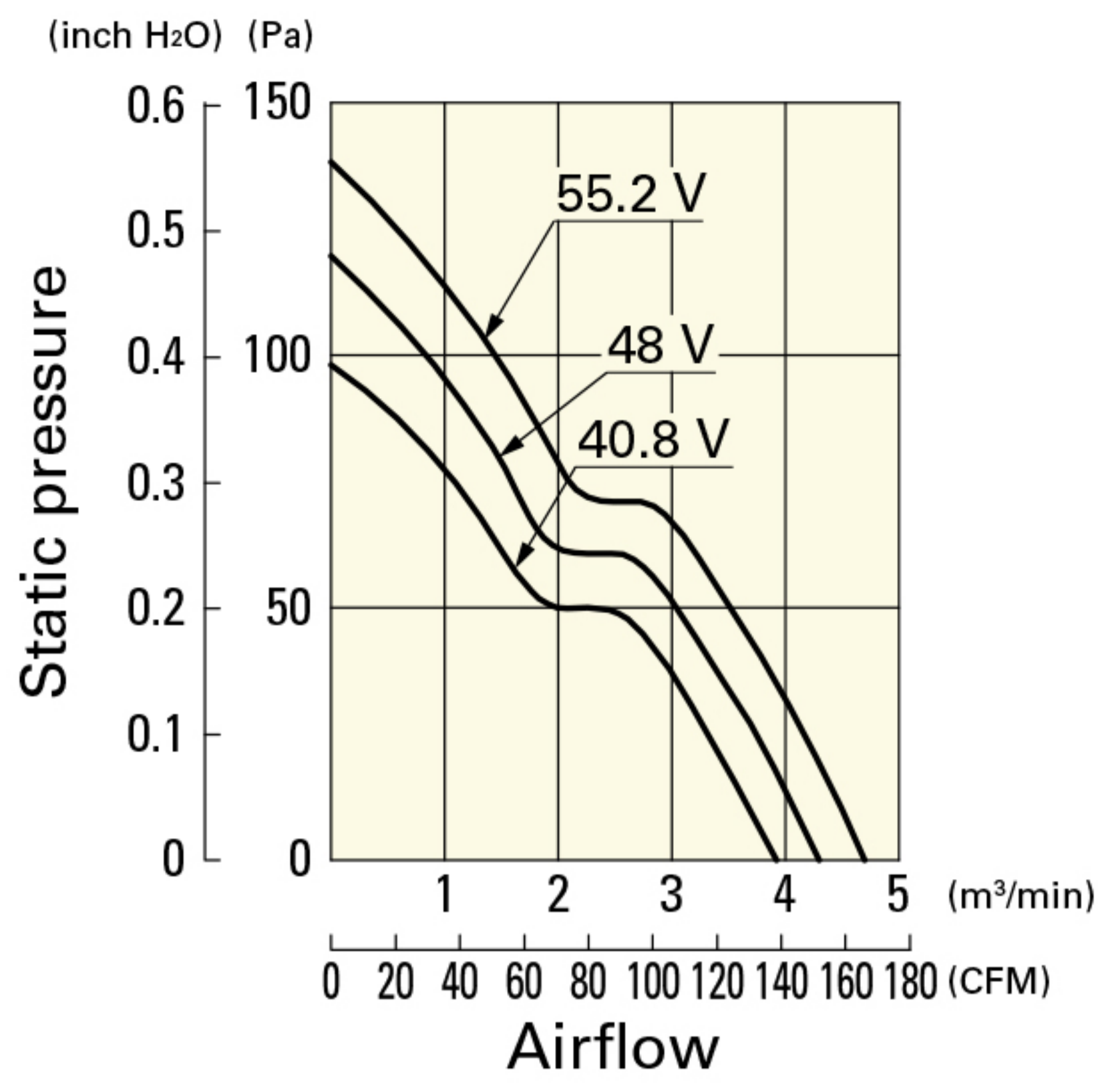
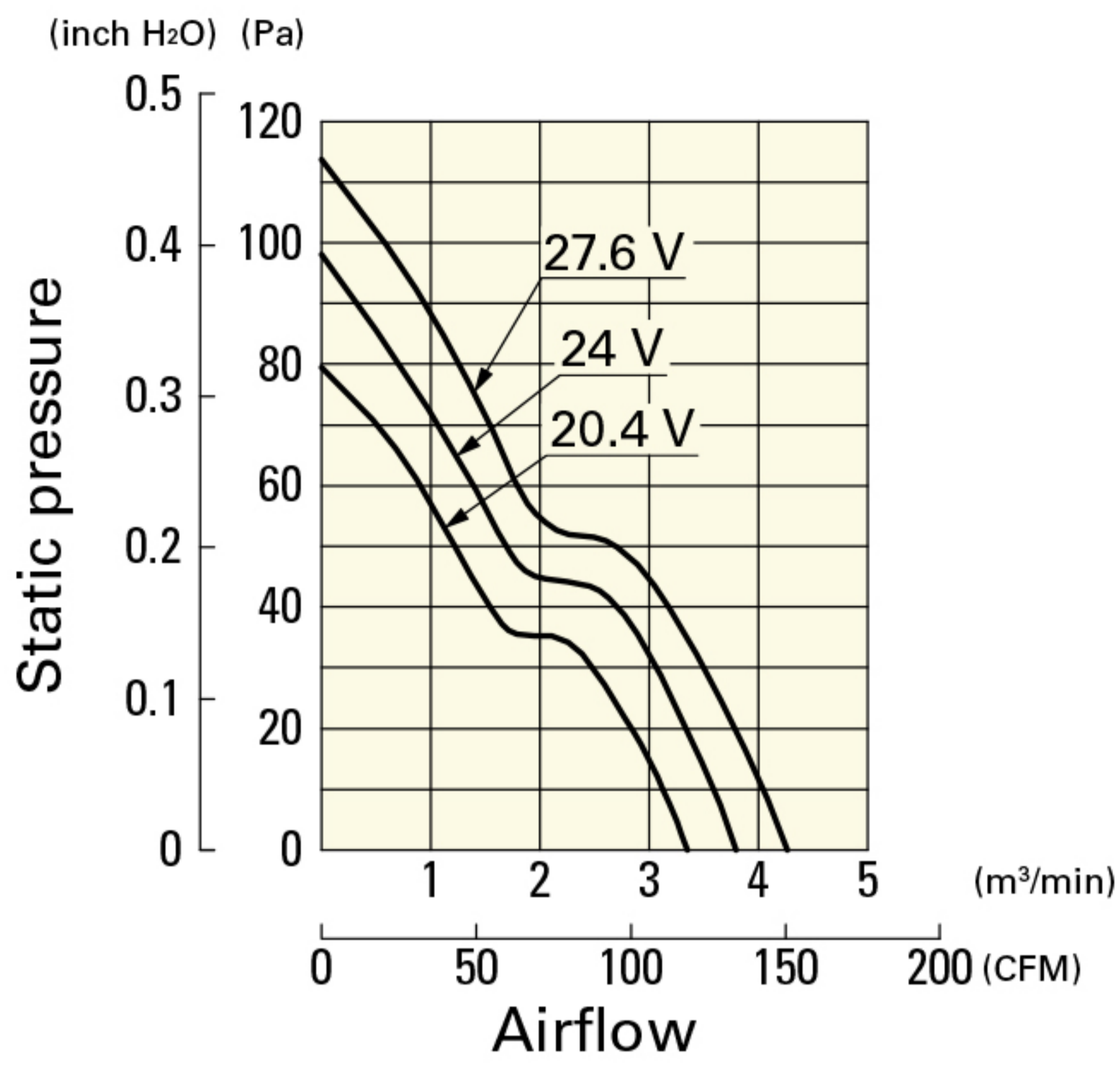
**109P1348S101** With pulse sensor

**109P1348H101** With pulse sensor

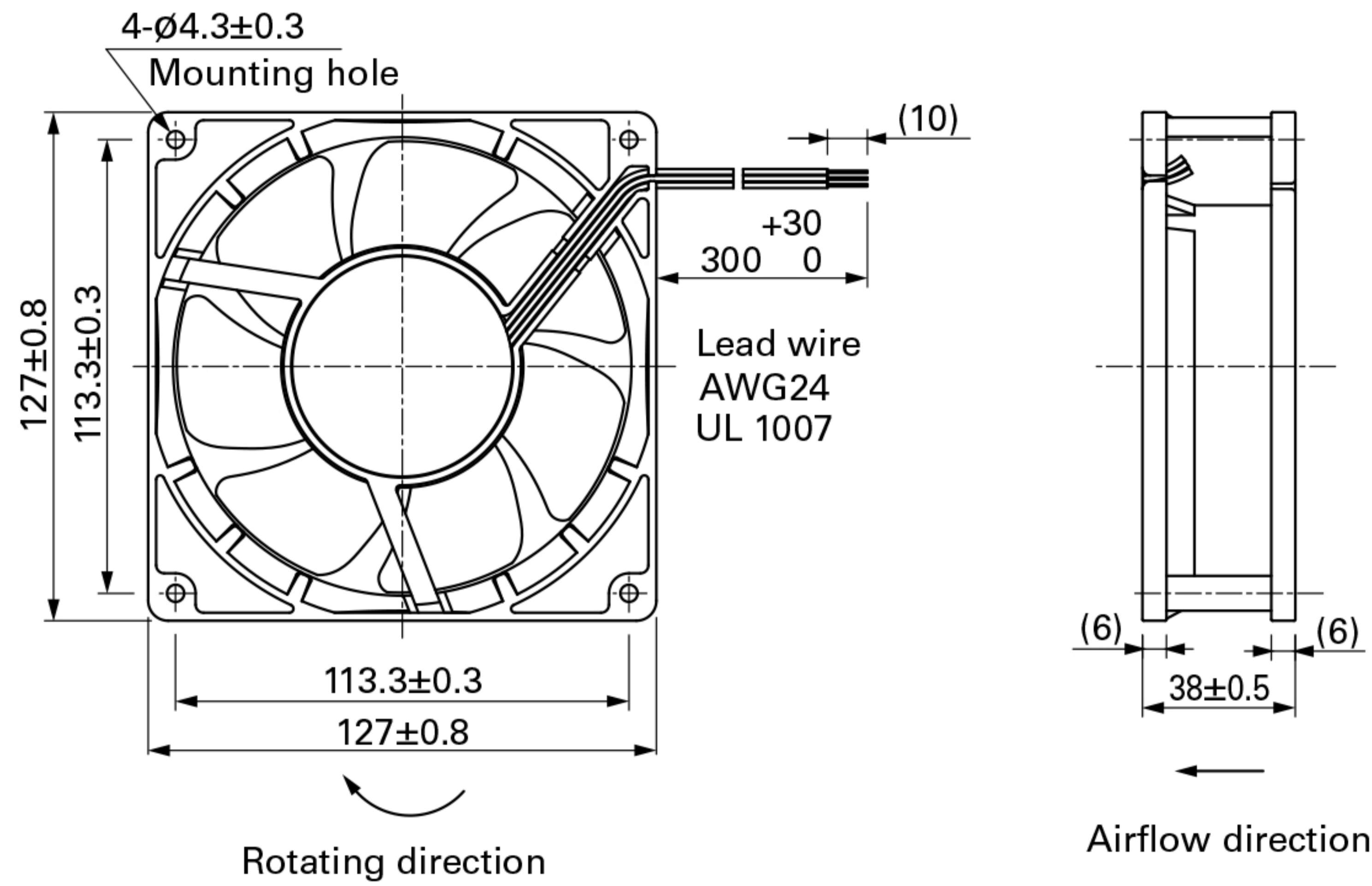
Operating voltage range

Operating voltage range

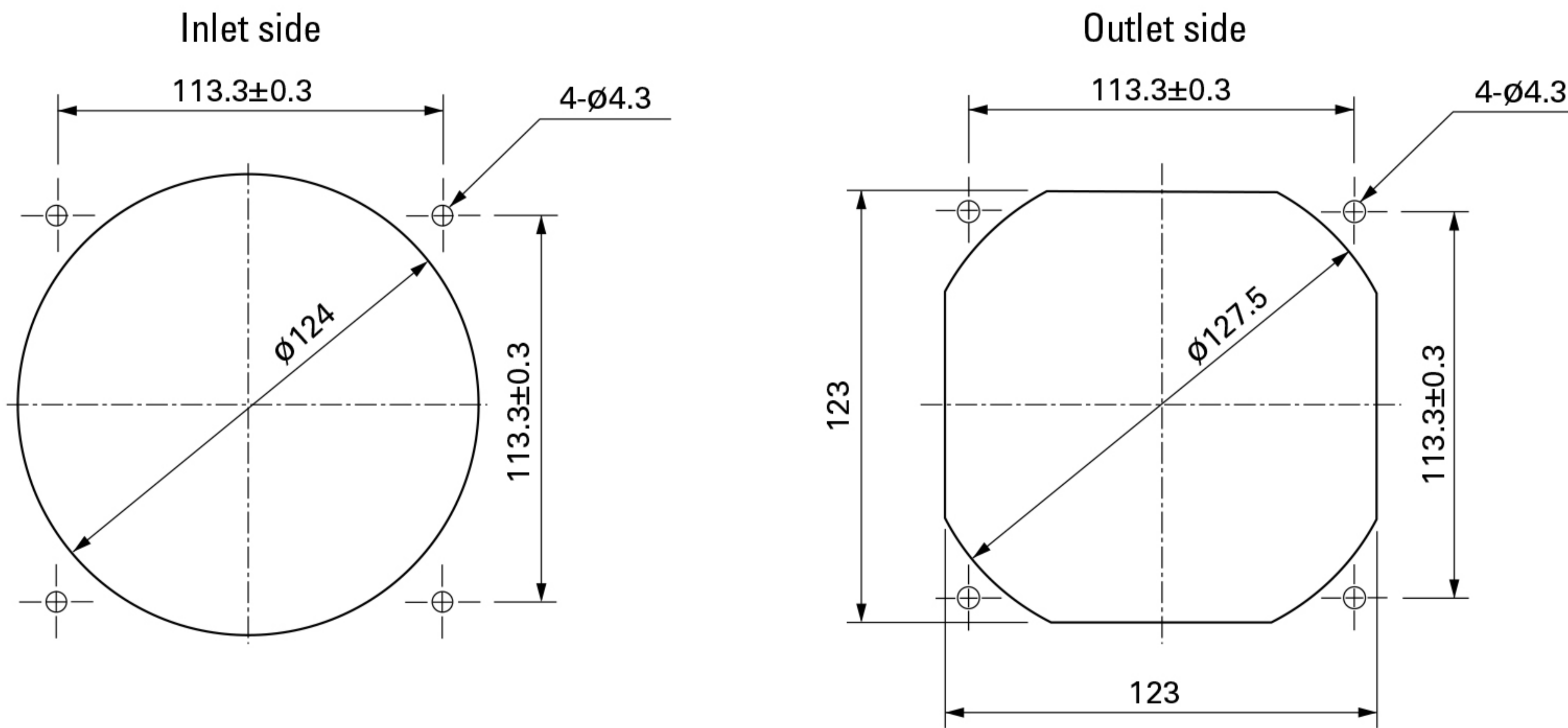
Operating voltage range



## Dimensions (unit: mm) (With ribs)



## Reference Dimensions of Mounting Holes and Vent Opening (unit: mm)



## Options

Finger guards

page: p. 533

Model no.: 109-722, 109-722H, 109-723