

# 52x15 mm

## San Ace B52 9BC type



### General Specifications

- Material ..... Frame: Plastic (Flammability: UL 94V-0), Impeller: Plastic (Flammability: UL 94V-0)
- Expected life ..... See the table below. (L10 life: 90% survival rate for continuous operation in free air at 60°C, rated voltage)
- Motor protection function ..... Locked rotor burnout protection, Reverse polarity protection  
For details, please refer to p. 547.
- Dielectric strength ..... 50/60 Hz, 500 VAC, for 1 minute (between lead wire conductors and frame)
- Insulation resistance ..... 10 MΩ or more with a 500 VDC megger (between lead wire conductors and frame)
- Sound pressure level (SPL) ..... At 1 m away from the air inlet
- Storage temperature ..... -30 to +70°C (Non-condensing)
- Lead wire ..... ⊕Red ⊖Black  Sensor  Yellow
- Mass ..... 33 g

### Specifications

The models listed below **have pulse sensors**.

Model no.	Rated voltage [V]	Operating voltage range [V]	Rated current [A]	Rated input [W]	Rated speed [min <sup>-1</sup> ]	Max. airflow [m <sup>3</sup> /min] [CFM]	Max. static pressure [Pa] [inchH <sub>2</sub> O]	SPL [dB (A)]	Operating temperature [°C]	Expected life [h]
<b>109BC12GC7-1</b>	12	6 to 13.8	0.12	1.44	6200	0.125 4.4	215 0.86	43	-20 to +70	40000/60°C (70000/40°C)
<b>109BC12HC7-1</b>			0.1	1.2	5600	0.112 4.0	165 0.66	40		
<b>109BC12FC7-1</b>			0.08	0.96	5100	0.101 3.6	130 0.52	38		
<b>109BC12MC7-1</b>			0.06	0.72	4600	0.091 3.2	100 0.4	35		
<b>109BC24GC7-1</b>	24	12 to 27.6	0.07	1.68	6200	0.125 4.4	215 0.86	43		
<b>109BC24HC7-1</b>			0.05	1.2	5600	0.112 4.0	165 0.66	40		
<b>109BC24FC7-1</b>			0.04	0.96	5100	0.101 3.6	130 0.52	38		

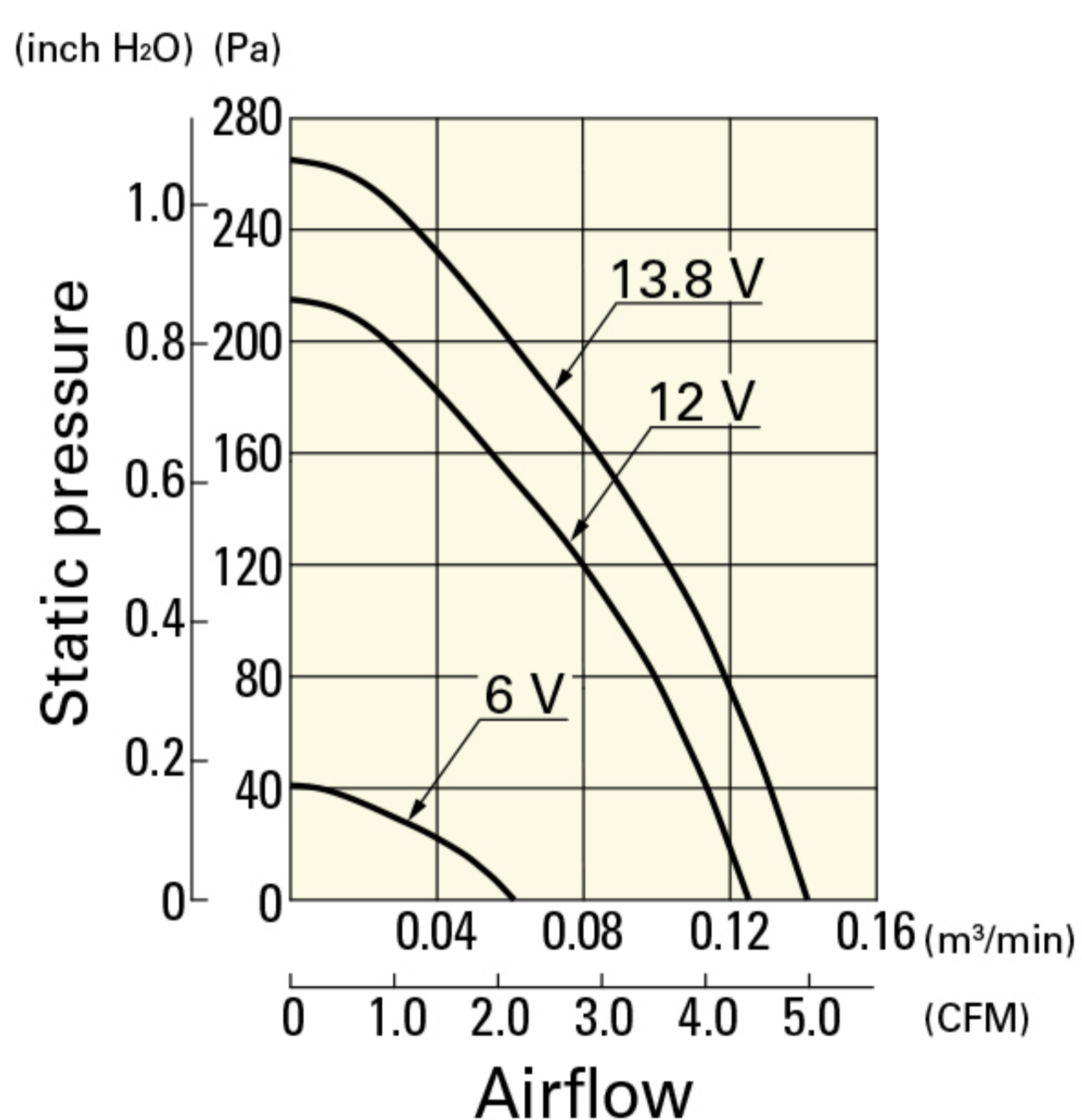
The following sensor and control options are available for selection.

Available for all models.  Without sensor  Lock sensor

### Airflow - Static Pressure Characteristics

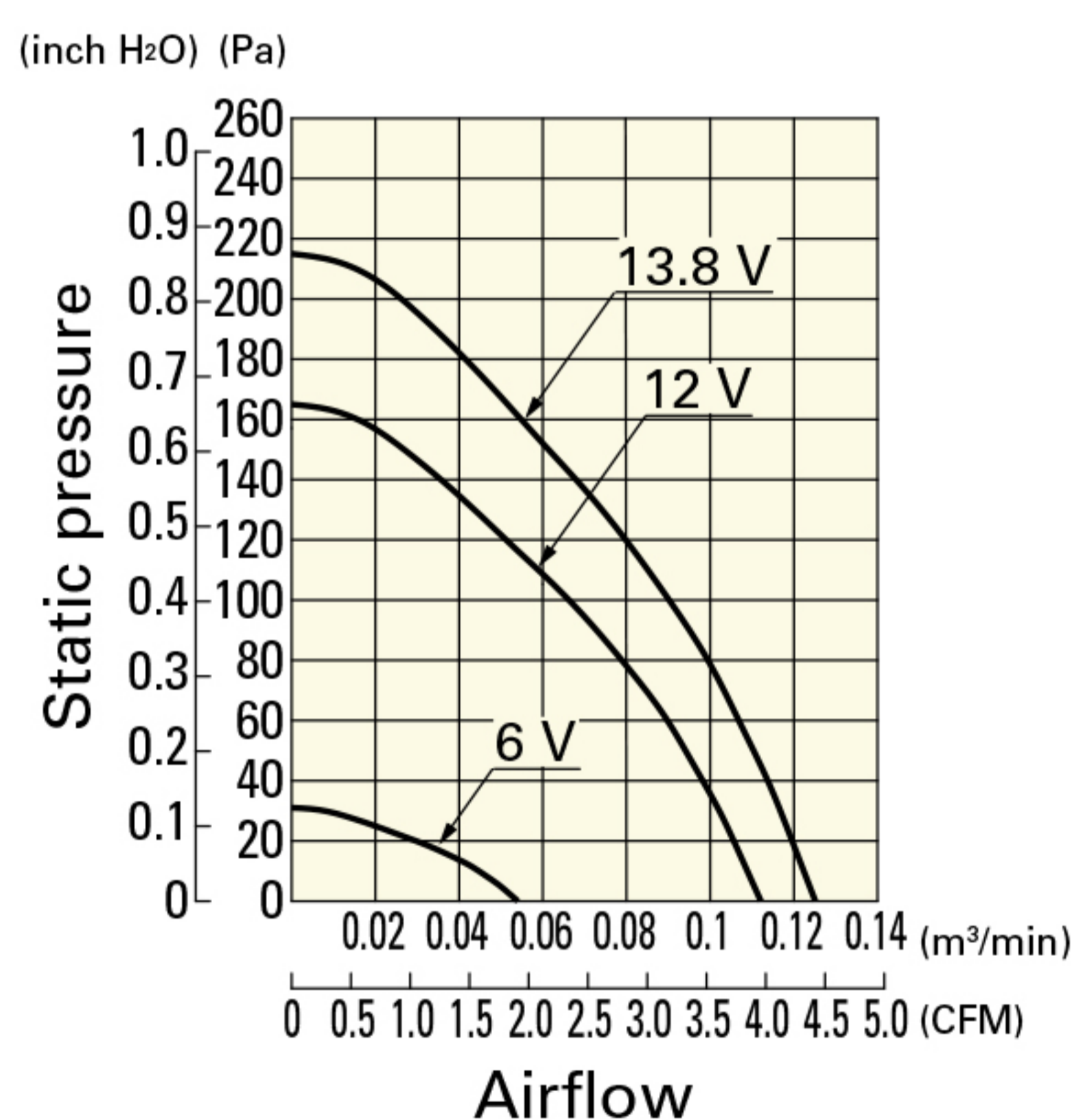
**109BC12GC7-1** With pulse sensor

Operating voltage range



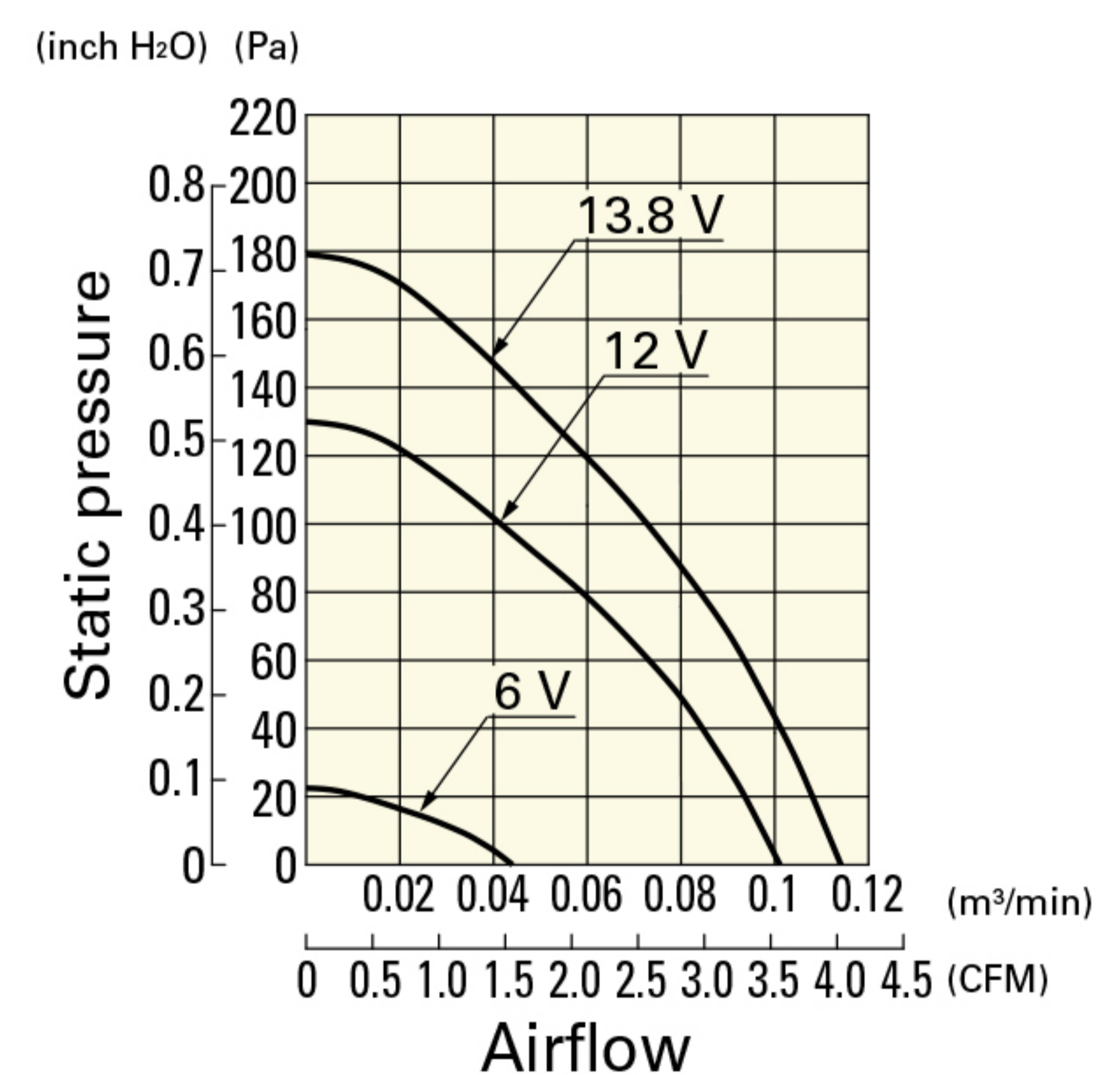
**109BC12HC7-1** With pulse sensor

Operating voltage range



**109BC12FC7-1** With pulse sensor

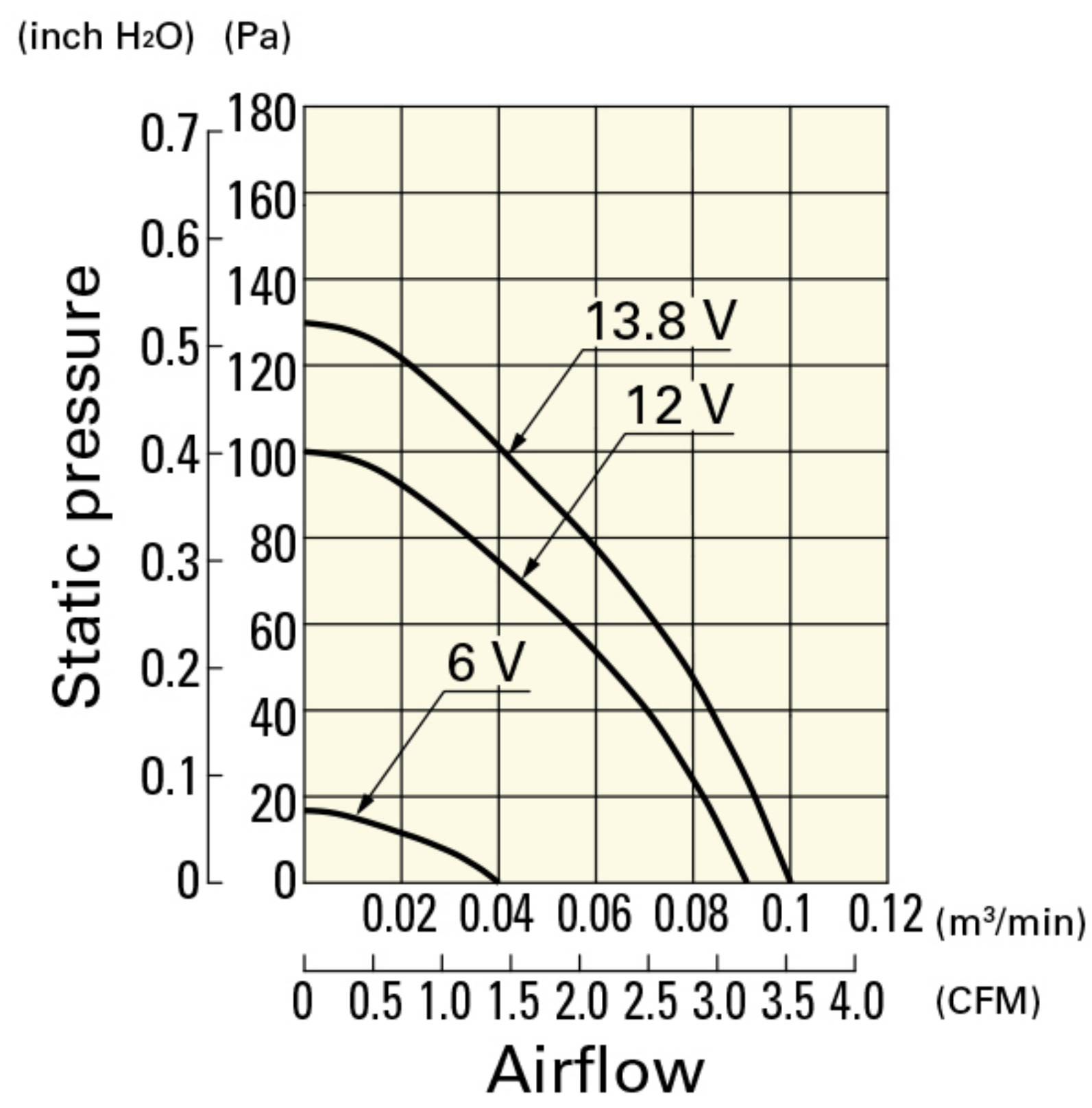
Operating voltage range



# Airflow - Static Pressure Characteristics

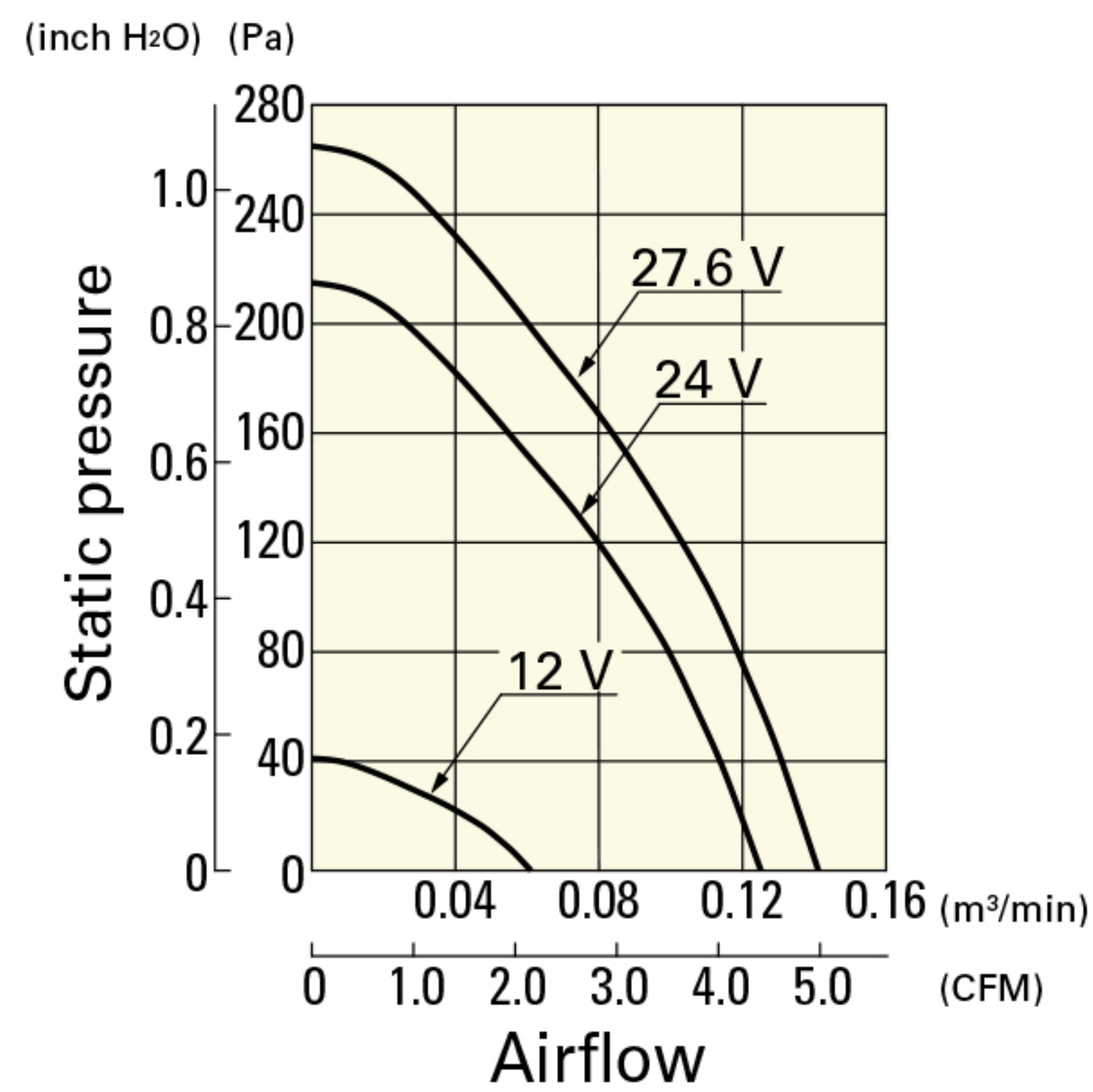
**109BC12MC7-1** With pulse sensor

Operating voltage range



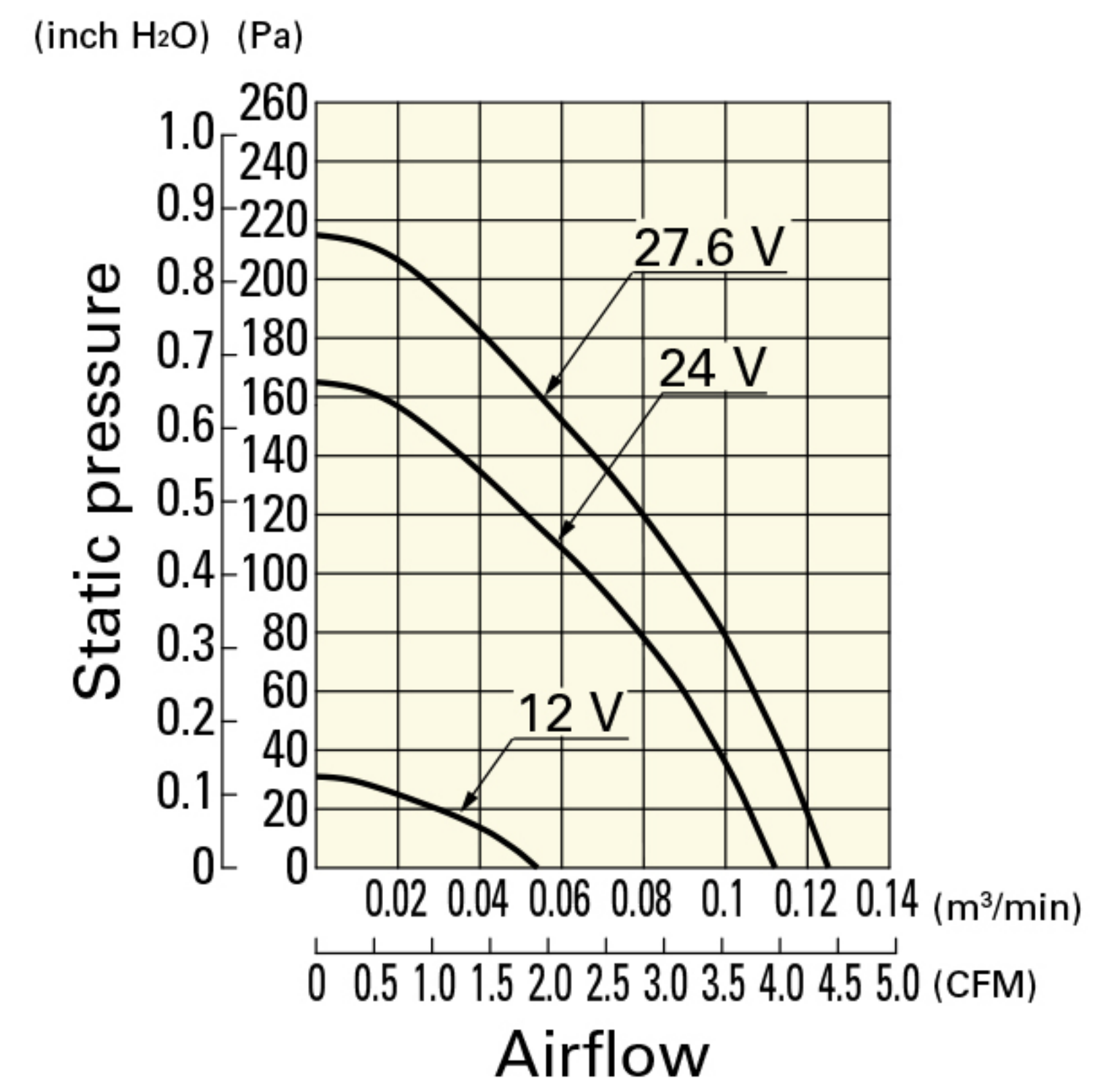
**109BC24GC7-1** With pulse sensor

Operating voltage range



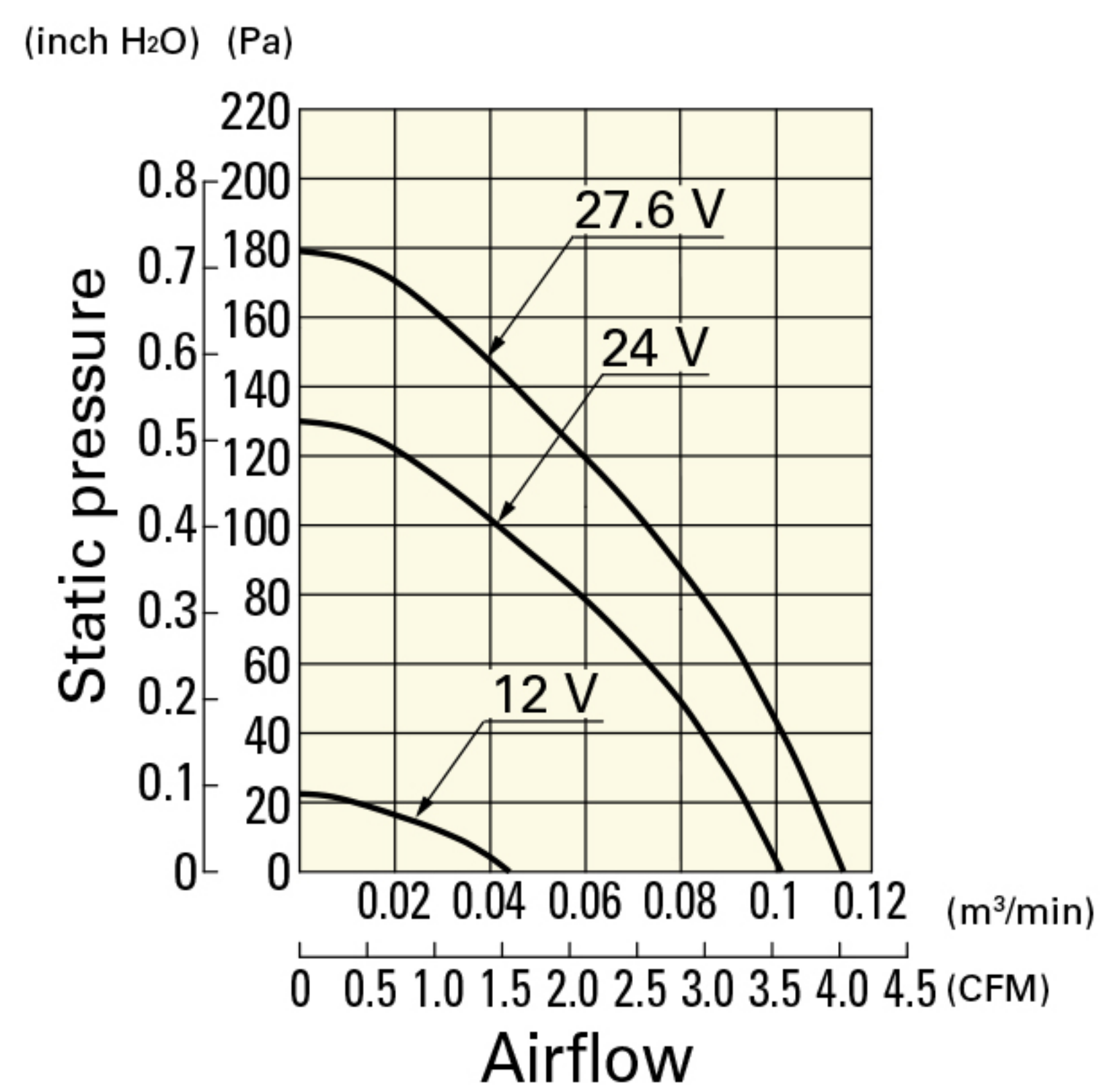
**109BC24HC7-1** With pulse sensor

Operating voltage range

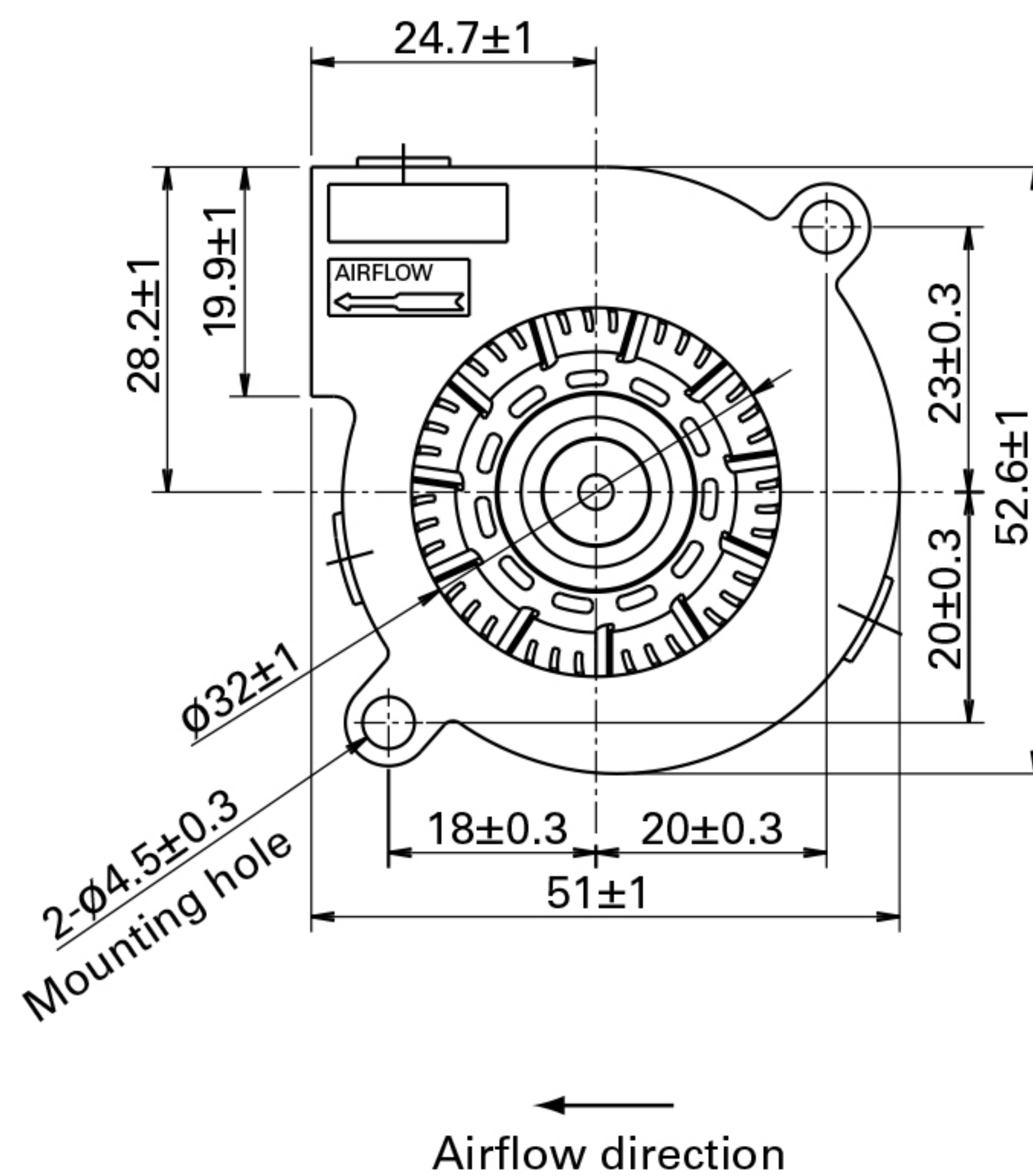
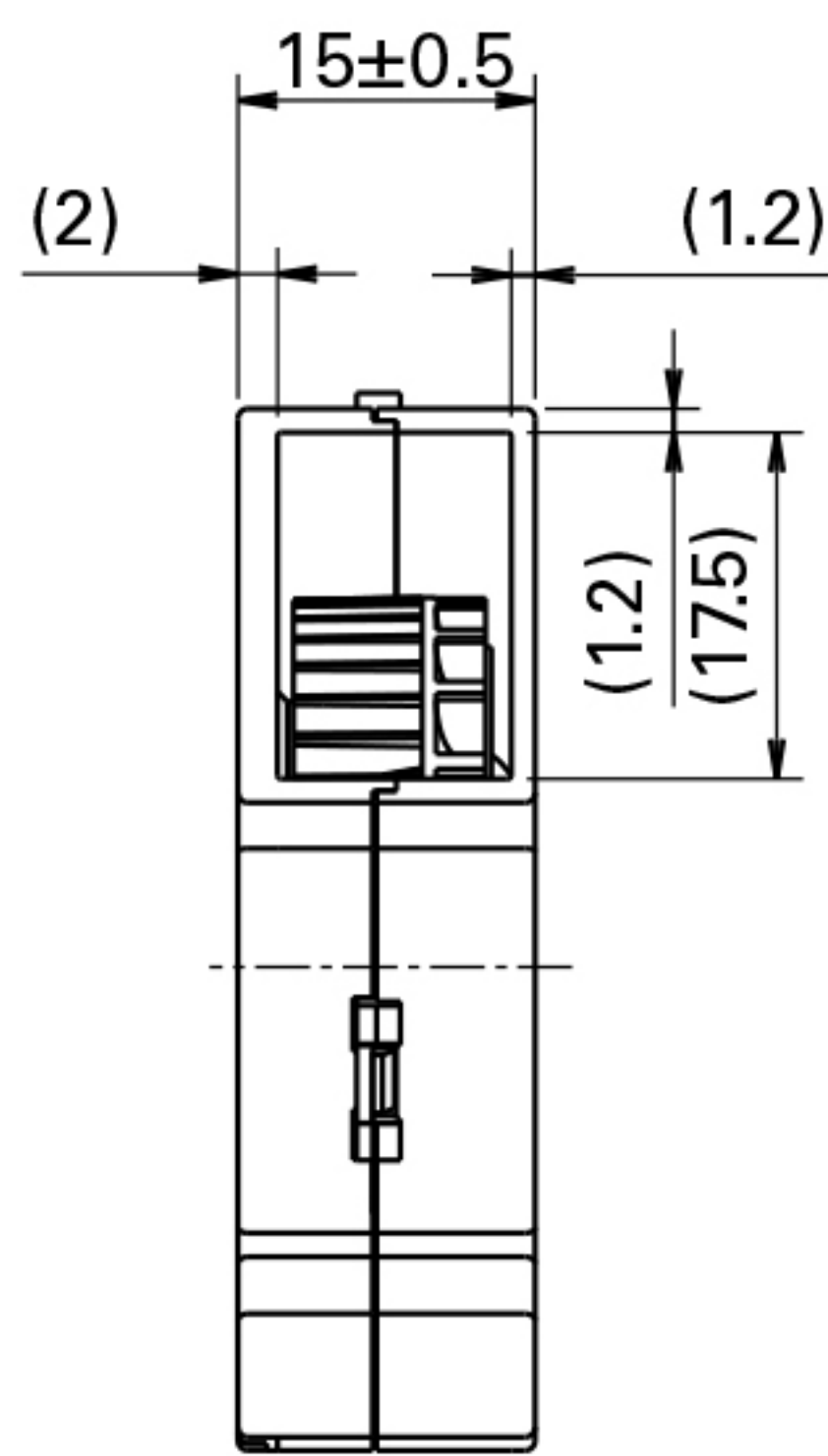
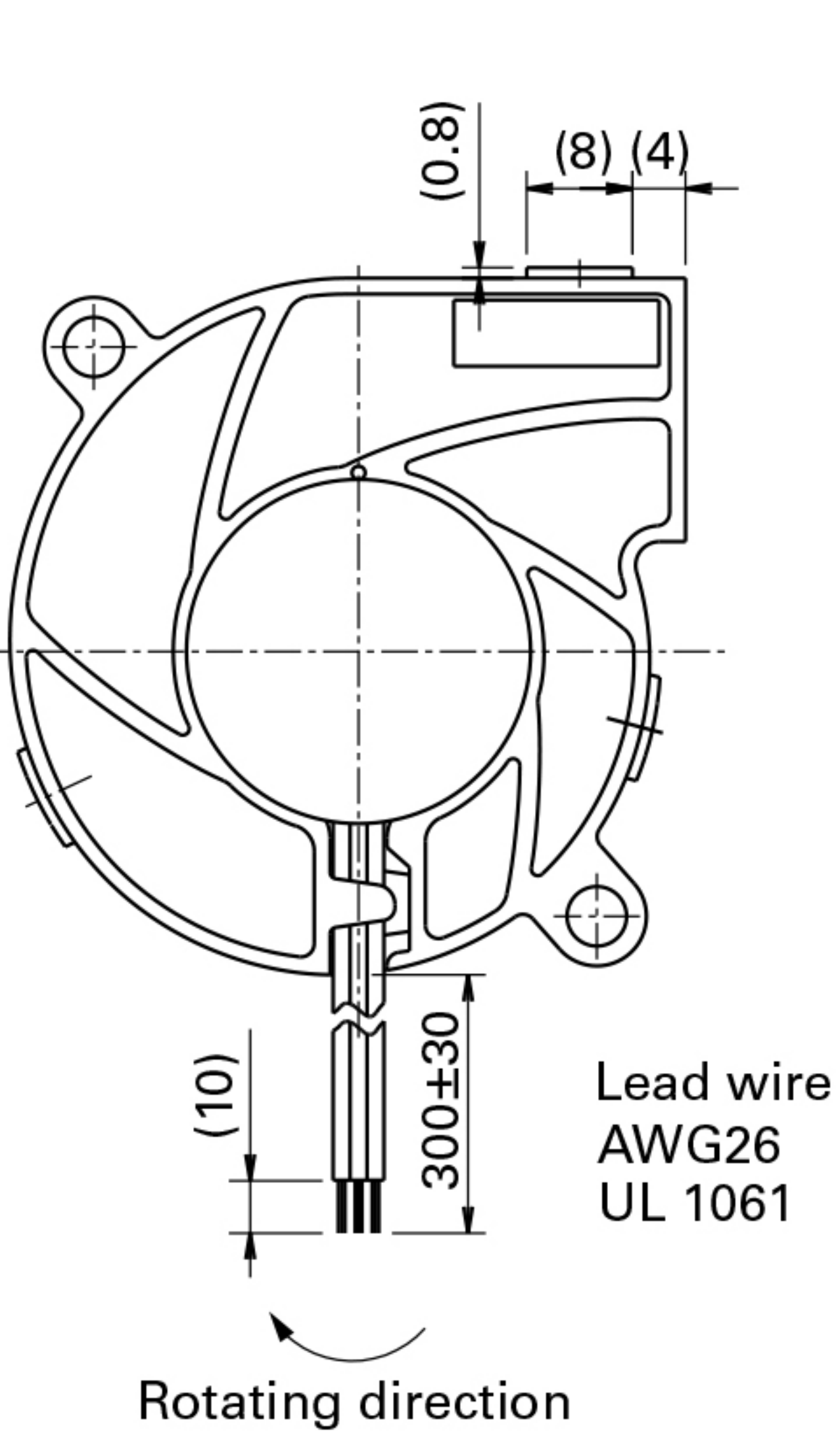


**109BC24FC7-1** With pulse sensor

Operating voltage range



## Dimensions (unit: mm)



DC

Blower 52 mm