

# 92×92×25 mm

## San Ace 92WF 9WF type US



### General Specifications

- Material ..... Frame: Plastic (Flammability: UL 94V-0), Impeller: Plastic (Flammability: UL 94V-0)
- Expected life ..... See the table below. (L10 life: 90% survival rate for continuous operation in free air at 60°C, rated voltage)
- Motor protection function ..... Locked rotor burnout protection, Reverse polarity protection  
For details, please refer to p. 547.
- Dielectric strength ..... 50/60 Hz, 500 VAC, for 1 minute (between lead wire conductors and frame)
- Insulation resistance ..... 10 MΩ or more with a 500 VDC megger (between lead wire conductors and frame)
- Sound pressure level (SPL) ..... At 1 m away from the air inlet
- Storage temperature ..... -30 to +70°C (Non-condensing)
- Lead wire ..... ⊕Red ⊖Black Sensor Yellow
- Mass ..... 120 g

This fan can be used in environments with oil mist.\*

\* Environment where cutting oil creates oil mist. Conduct a product evaluation with the type of oil to be used.

### Specifications

The models listed below **have ribs and pulse sensors**. For models without ribs, append "1" to the end of model numbers.

Model no.	Rated voltage [V]	Operating voltage range [V]	Rated current [A]	Rated input [W]	Rated speed [min <sup>-1</sup> ]	Max. airflow		Max. static pressure		SPL [dB (A)]	Operating temperature [°C]	Expected life [h]
						[m <sup>3</sup> /min]	[CFM]	[Pa]	[inchH <sub>2</sub> O]			
<b>9WF0924H401</b>	24	20.4 to 27.6	0.13	3.12	3900	1.45	51.2	66	0.26	42.5	-20 to +70	40000/60°C

The following sensor and control options are available for selection.

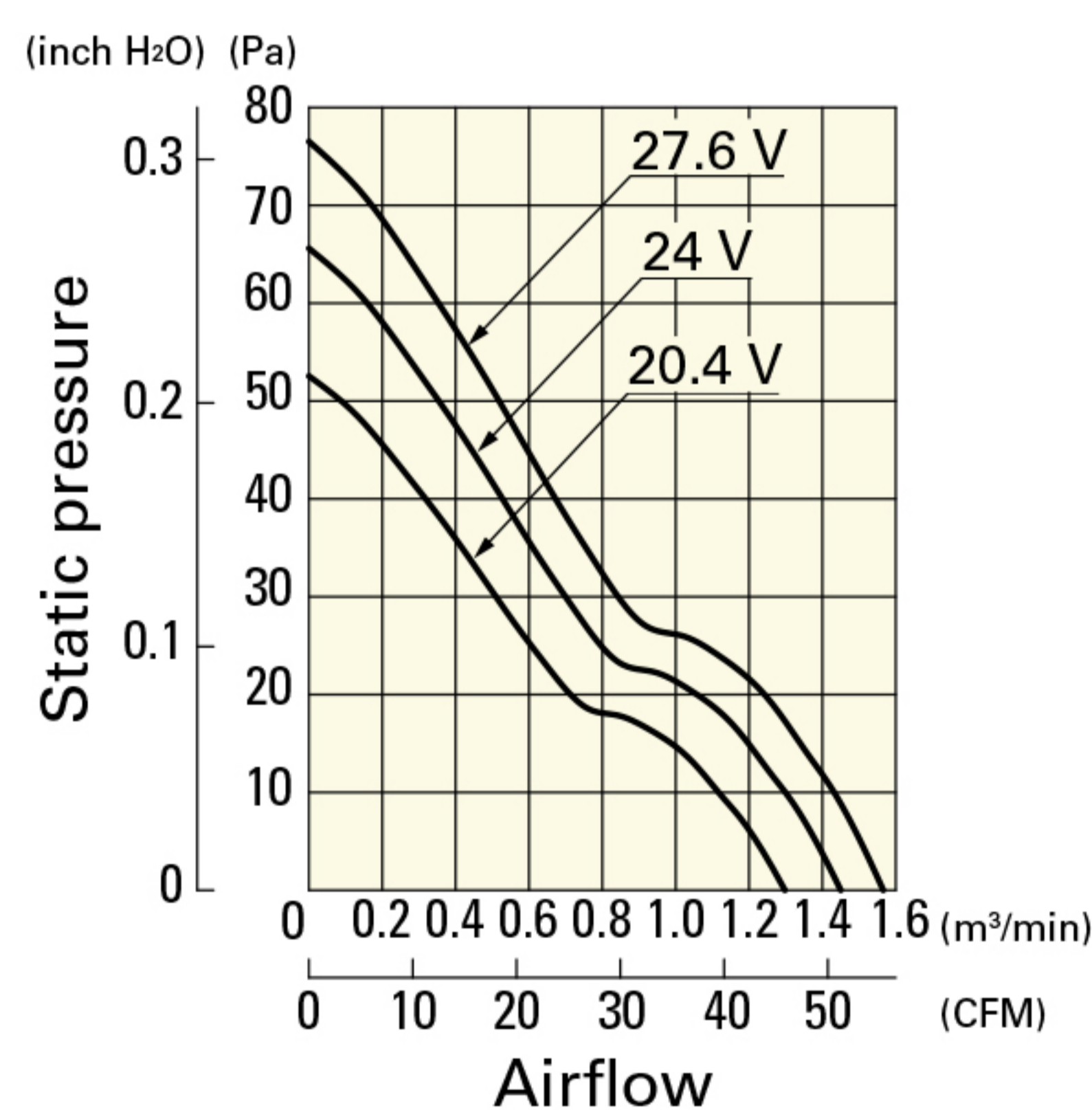
Available for all models. Lock sensor

Differs according to the model. Refer to the table on p. 578. Without sensor

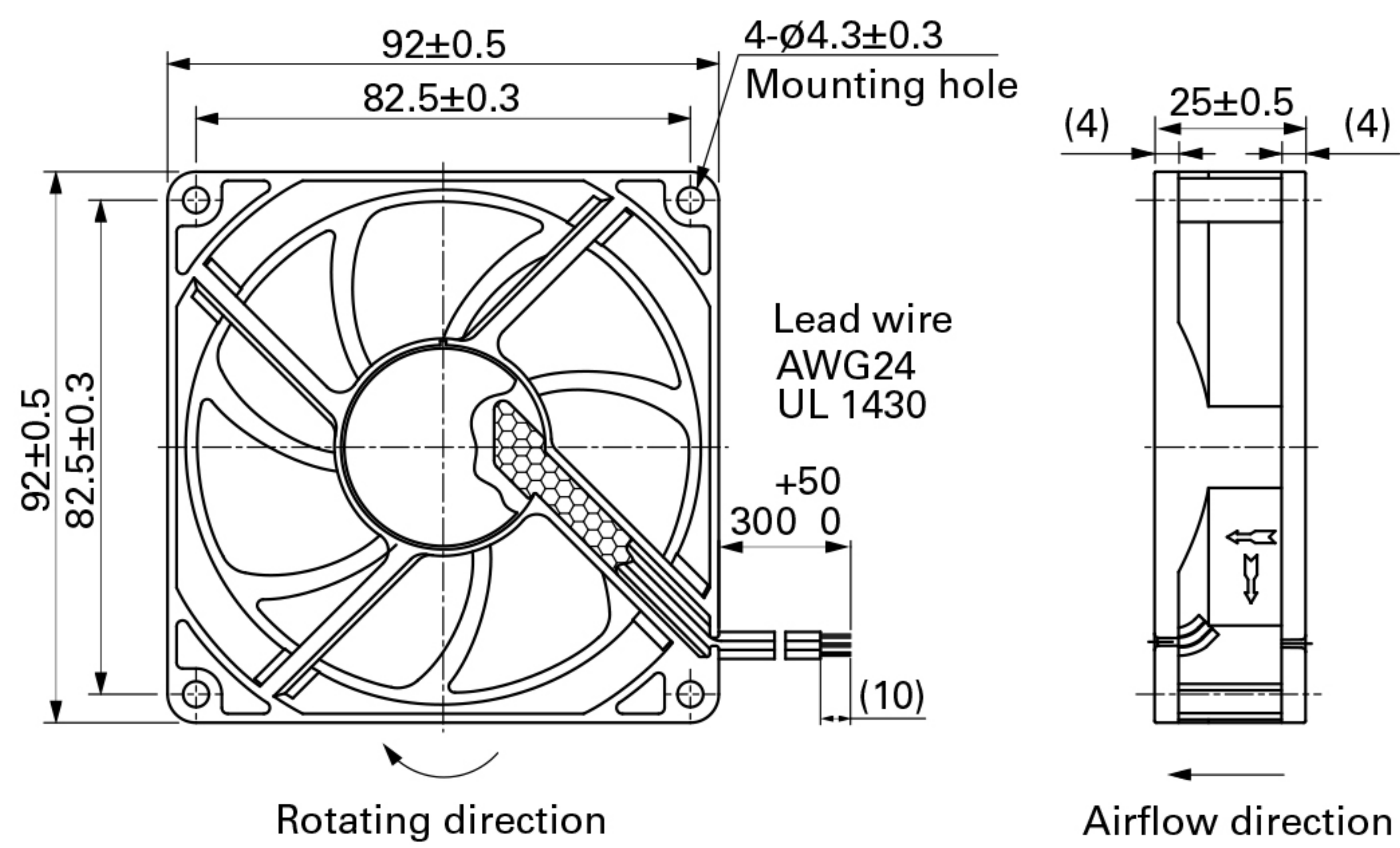
### Airflow - Static Pressure Characteristics

**9WF0924H401** With pulse sensor

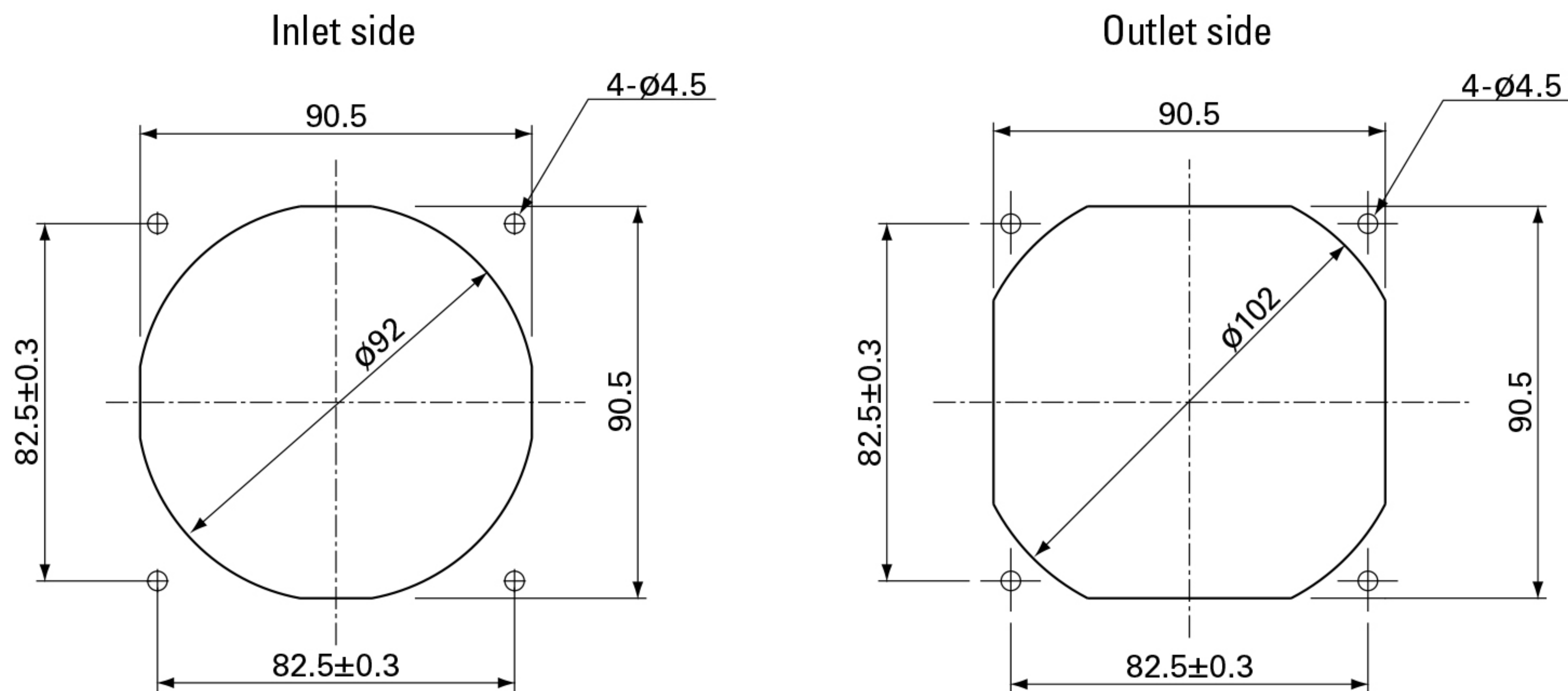
Operating voltage range



## Dimensions (unit: mm)



## Reference Dimensions of Mounting Holes and Vent Opening (unit: mm)



## Options

Finger guards

page: p. 532

Model no.: 109-099E, 109-099H, 109-099C

DC

Oil Proof Fan 92 mm sq.