

1

2

3

4

规格书 SPECIFICATION

风机型号 FAN MODEL **R31102E-07W-B8T**

1. 适用范围 SCOPE

本电动机规格书适用于3相直流无刷电动机的技术规定
其中没有特别指明处均遵从中国国家强制性产品认证和CE认证，且满足欧盟ErP要求
THIS SPECIFICATION IS SPECIFIED FOR 3-PHASE DC BRUSHLESS MOTOR.
ITEMS EXCEPT HAVING INDICATED IN THE SPECIFICATION, ARE APPLIED TO CHINA COMPULSORY PRODUCT CERTIFICATION AND CE, AND TO MEET THE EU ErP REQUIREMENTS.

2. 规格 SPECIFICATIONS

项目 ITEM	内容 SPECIFICATION		备注 DESCRIPTION
电气特性 ELECTRICAL CHARACTERISTICS	电压VOLTAGE	DC48 [V]	范围: DC36V~DC57V RANGE
	转速SPEED	1980±10% [r/min]	
	功率POWER	200±16% [W]	
	电流 CURRENT	4.2±10% [A]	
	最大风量 AIR FLOW	1930±10% [m³/h]	参考 REFERENCE
	噪音 NOISE	71±6 [dBA]	参考 REFERENCE
	绝缘等级 INSULATION CLASS	B 级 CLASS	
	控制方式 CONTROL INPUT	0-10V Vdc/PWM, ETC.	见图一、二 SEE FIG. 1、2
	保护方式 : PROTECTED MODE	OVER-TEMPERATURE /OVER-CURRENT /LOCKED PROTECTED	
	转速信号 TACH OUTPUT	3 PULSE/R	占空比 DUTY 30%~70%
	绝缘电阻 INSULATION RESISTANCE	DC500V 100[MΩ]MIN	风机外壳与风机引线间测试 BETWEEN LEAD WIRES AND FAN SURFACE
绝缘耐压 DIELECTRIC STRENGTH	AC1200V 1S 3[mA]MAX		

					材质 MATERIAL	-----	机种名 MODEL	R31102E-07W-B8T
—	00初版	-----	王晶	'14-05-23	表面处理 FINISH	-----	品名 TITLE	规格书 SPECIFICATION
改版 SYM	变更事项 REVISIONS	图面变更号 REVISIONS NO.	设计 BY	年-月-日 DATE			图号 DWG. NO.	A01-0016-00
制图 DRAWN	王晶 '14-05-23	审核 CHECKED	孙勇 '14-05-24	比例 SCALE	FREE	三角法 THIRD ANGLE PROJECTION		
设计 DESIGNED	王晶 '14-05-23	批准 CHECKED	屈刚 '14-05-24	页 SHEET	1/6			

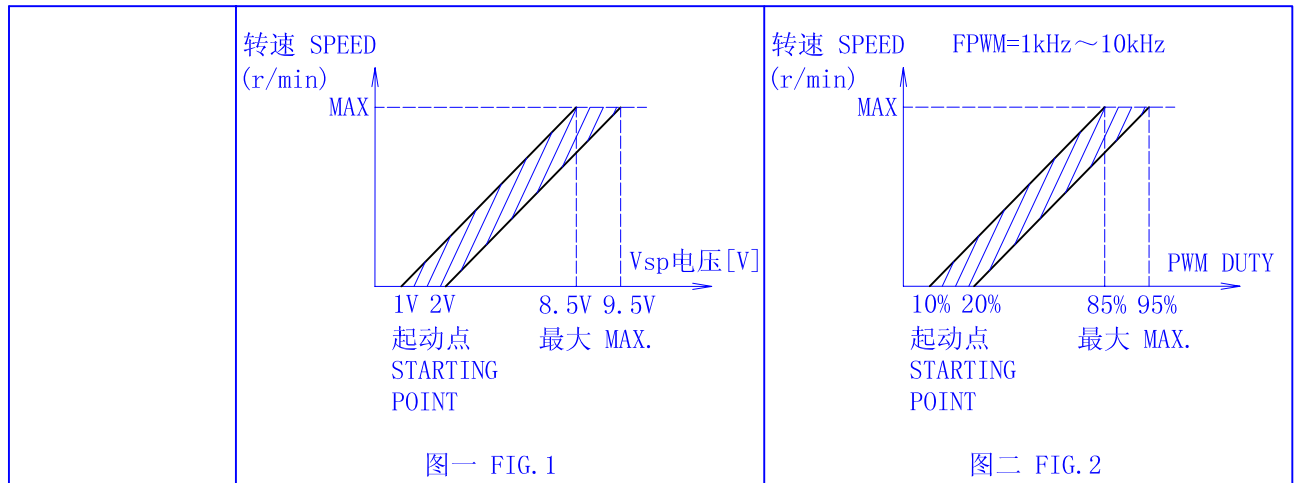
1

2

3

4

A



B

机械特性
MECHANICAL
SPECIFICATION

外观 APPEARANCE

不能有影响商品质量的伤痕和污迹
THERE SHOULD NOT BE ANY DEFECTS AND DIRTY WHICH
SPOIL GOODS VALUE

质量 MASS

约 APPROX 4[Kg]

电机引线引拔强度
LEAD WIRE PULLED
OUT STRENGTH

20 [N/根]以上 MIN.

寿命
LIFE

20000 [h]MIN

额定负载1980[r/min] 轴承温度-25[°C]~60[°C]
以下连续运转
RATED LOAD 1980[r/min] AND THE BEARING
TEMPERATURE LESS THAN -25[°C]~60[°C]
CONTINUOUS RUNNING

轴承 BEARING: NSK6001ZZ
润滑剂 LUBRICANT: NS7

C

3. 环境要求 ENVIRONMENTAL REQUIREMENT

D

保存温度 STORAGE TEMPERATURE RANGE	-25~60	[°C]	
使用·保存湿度 OPERATING, STORAGE HUMIDITY	30~95	[%]RH	无结露 NON CONDENSING
使用温度范围 OPERATING TEMPERATURE RANGE	-20~60	[°C]	
	IC散热 HEAT SINK OF IC	115[°C]以下 MAX	
	其他电子部品 OTHER ELECTRONIC PARTS	85[°C]以下 MAX	
	轴承 BALL BEARING	80[°C]以下 MAX	
	卷线 COIL	120[°C]以下 MAX	

E

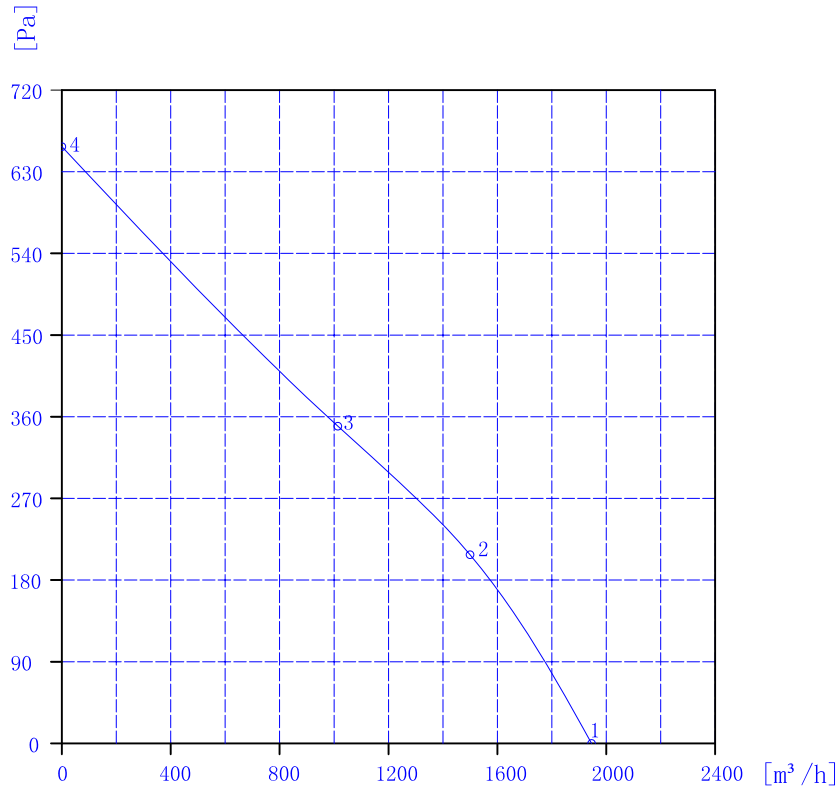
4. 使用注意事项 NOTE IN USE

- | | |
|---|---|
| A | (1) 本电机内设有反接保护线路, 见页5/6.
SINCE THIS MOTOR HAS REVERSE POLARITY PROTECTION CONNECTION, SEE PAGE 5/6. |
| | (2) 风机运转时不可插拔风机引线插头
PLEASE DO NOT PERFORM EXTRACTION AND INSERTION OF THE CONNECTOR UNDER REVOLUTION IRRESPECTIVE OF POWER ON AND POWER OFF |
| | (3) 本风机通风冷却 使用时请考虑风机周边的通风条件
FAN CAN BE COOLED BY VENTILATION, PLEASE CONSIDER VENTILATED CONDITION AROUND THE FAN WHEN USING IT |
| | (4) 轴承部不可受到冲击
DO NOT ADD SHOCK TO THE BALL BEARING |
| | (5) 拿取风机时不可拎风机引线 引线过度受力时内部焊接部分可能脱落
DO NOT CARRY WITH LEAD WIRES WHEN HANDLE A FAN, IF ADD HUGE STRENGTH TO LEAD WIRES THAT THE SOLDERED PART IN FAN MAY BE SHED |
| | (6) 防止冲击电压破坏风机 电源线上请不要采用继电器或其它机械开关
DO NOT USE RELAY OR OTHER MECHANICAL SWITCH ON POWER SUPPLY LINE, BECAUSE IMPACT VOLTAGE MAY DAMAGE THE FAN |
| B | (7) 按本规格书中的规格评价风机 若工作点规格需要变更 请与本公司联系
EVALUATE THE FAN REFER TO THIS SPECIFICATIONS. IF THE LOAD OR POWER SUPPLY VOLTAGE OF THE MOTOR SHOULD BE CHANGED, PLEASE CONTACT WITH US |

5. 其它 OTHERS

- | | |
|---|---|
| C | (1) 本款风机的知识产权属于本公司 在本款风机的使用上不会发生专利问题 应用本风机形成有关产品或方法及新的技术方案造成专利侵权 本公司不予保证 请贵公司特别注意
THE INTELLECTUAL ASSET OF THE FAN IN THE FORM OF PATENT BELONGS TO OUR CORPORATION SO ANY PATENT PROBLEM WILL NOT BE CAUSED DURING THE ACTUAL APPLICATION. OUR CORPORATION WILL NOT BE RESPONSIBLE FOR ANY PATENT DISPUTE OR PROBLEM THAT CAUSED BY THE PRODUCT METHOD AND NEW TECHNIQUE PROJECT WHICH ARE DEVELOPED BY USING THIS FAN |
| | (2) 贵公司保证未经本公司许可 不得将此技术规格书泄漏给其它任何第三方
IT SHOULD BE ASSURED THAT THIS SPECIFICATION CAN NOT BE REVEALED TO ANY THIRD PARTY WITHOUT THE CONSENT OF OUR CORPORATION |
| | (3) 本电机Pb Cr(VI+) Cd Hg PBB PBDE 6种物质的含有量满足RoHS指令(2002/95/EC)的要求
MATERIALS OF MOTOR CONTAIN SIX SUBSTANCES Pb Cr(VI+) Cd Hg PBB AND PBDE, THOSE CONTENTS COMPLY WITH THE RoHS INSTRUCTION |

6. P-Q曲线图 P-Q CURVES



项目 ITEM	电压 VOLTAGE	转速 SPEED	功率 POWER	电流 CURRENT
单位 UNIT	[V]	[r/min]	[W]	[A]
1	48	1970	215	4.49
2	48	1957	216	4.52
3	48	1922	224	4.68
4	48	2227	176	3.68

7. 控制方式及应用

NOTES ON VARIOUS CONTROL POSSIBILITIES AND THEIR APPLICATIONS

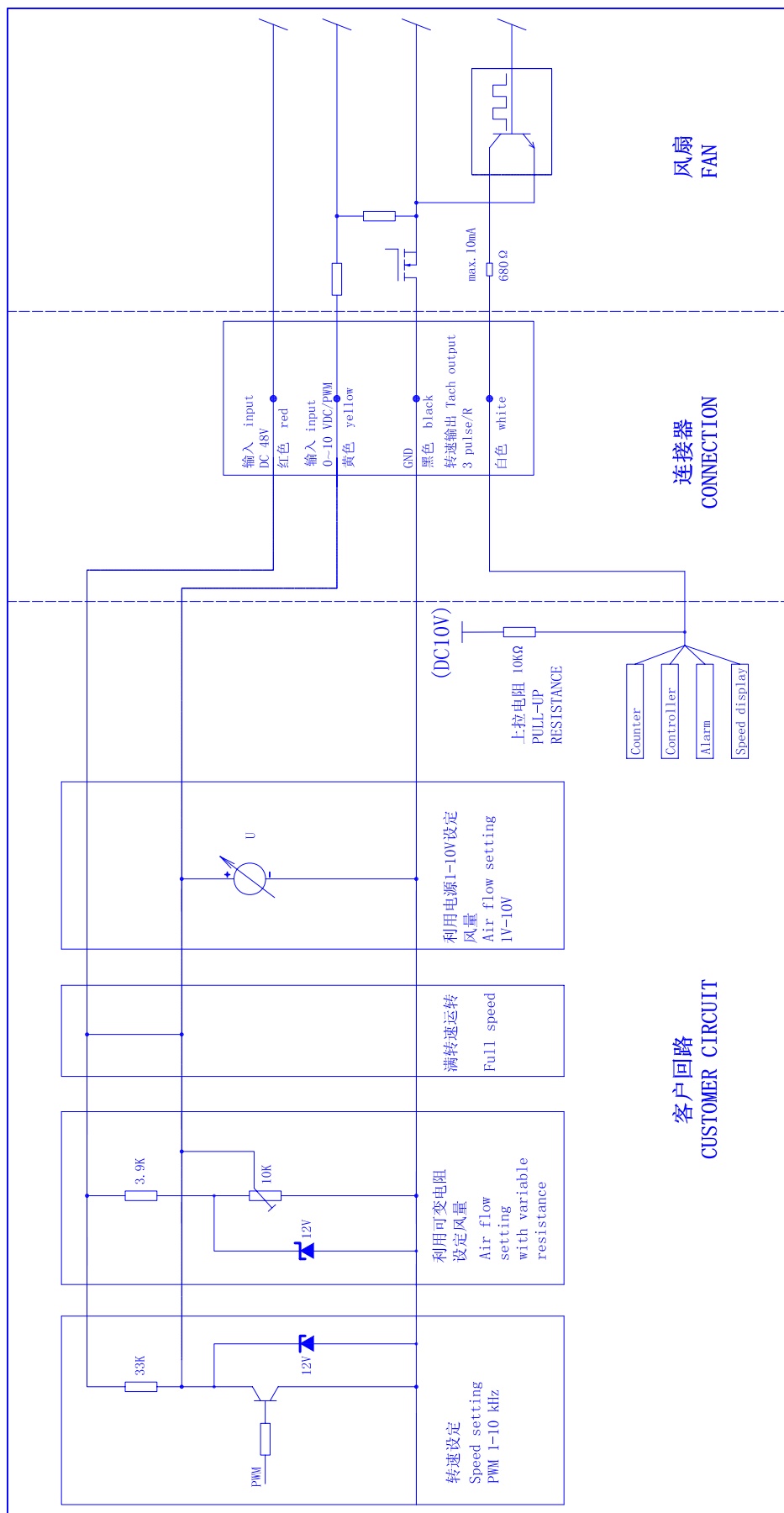
A

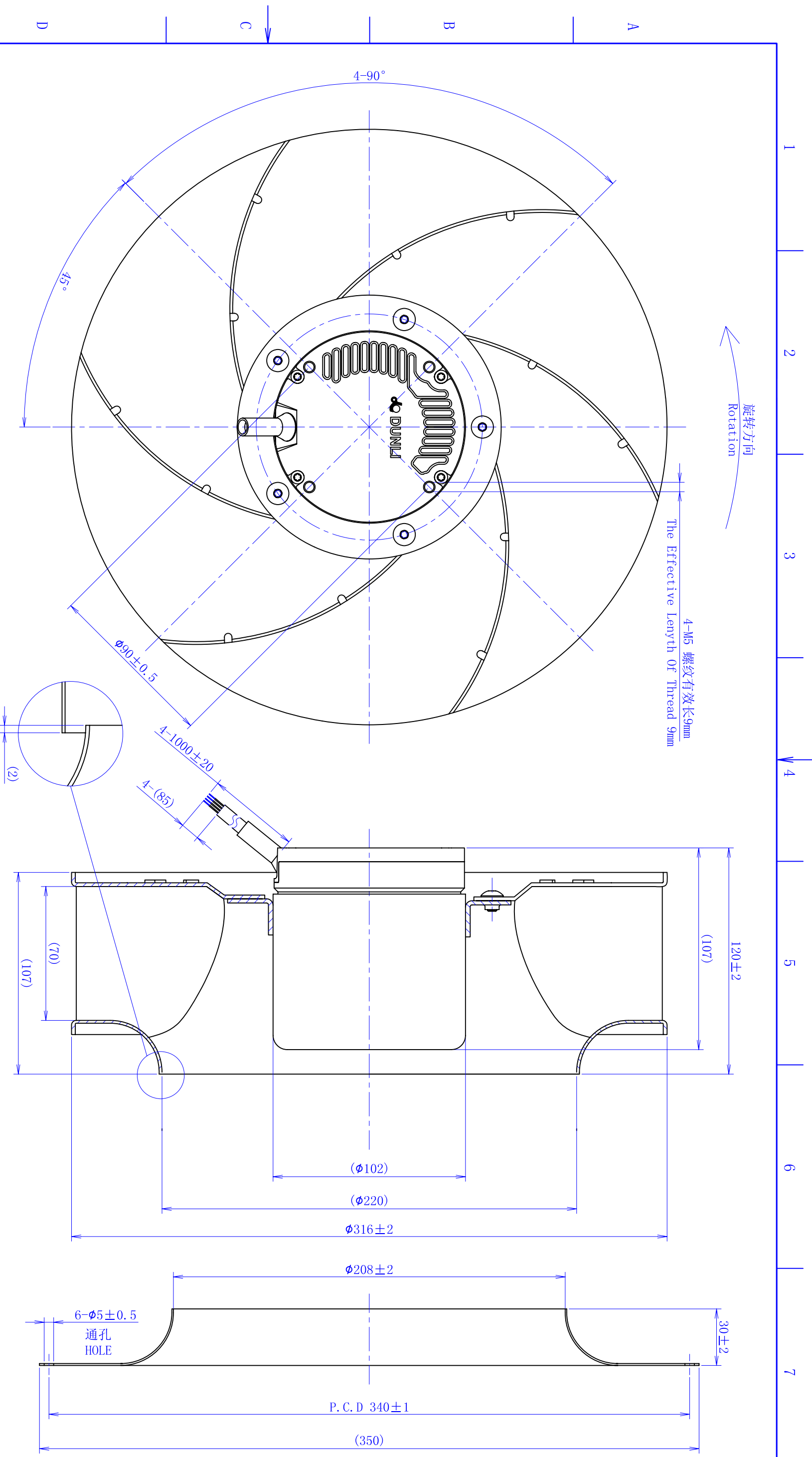
B

C

D

E





【引线式样】
【LEAD WIRES ASS'Y】

信号名 SIGNAL	颜色 COLOR	规格 SPEC	端子 TERMINAL
Vs	红 RED	DC48V	E1008
GND	黑 BLACK	GND	E1008
Vsp	黄 YELLOW	0-10VDC/PWM	E0508
FG	白 WHITE	3 Pulse/R	E0508

