

**材料:**

风轮采用 PA66 塑料制成

**电气特性:**

采用 0~10VDC 控制电压或脉宽调制

**保护:**

速度反馈输出

堵转保护

极性保护

限流保护

低电压与过电压停止运转保护

**轴承:** 采用滚珠轴承

CCC、CE、UL、TUV 认证

**Material:**

Impeller completely made of plastic PA66

**Technical features:**

Control input 0~10VDC/PWM

**Motor protection:**

Tach out

Locked-rotor protection

Reverse battery protection

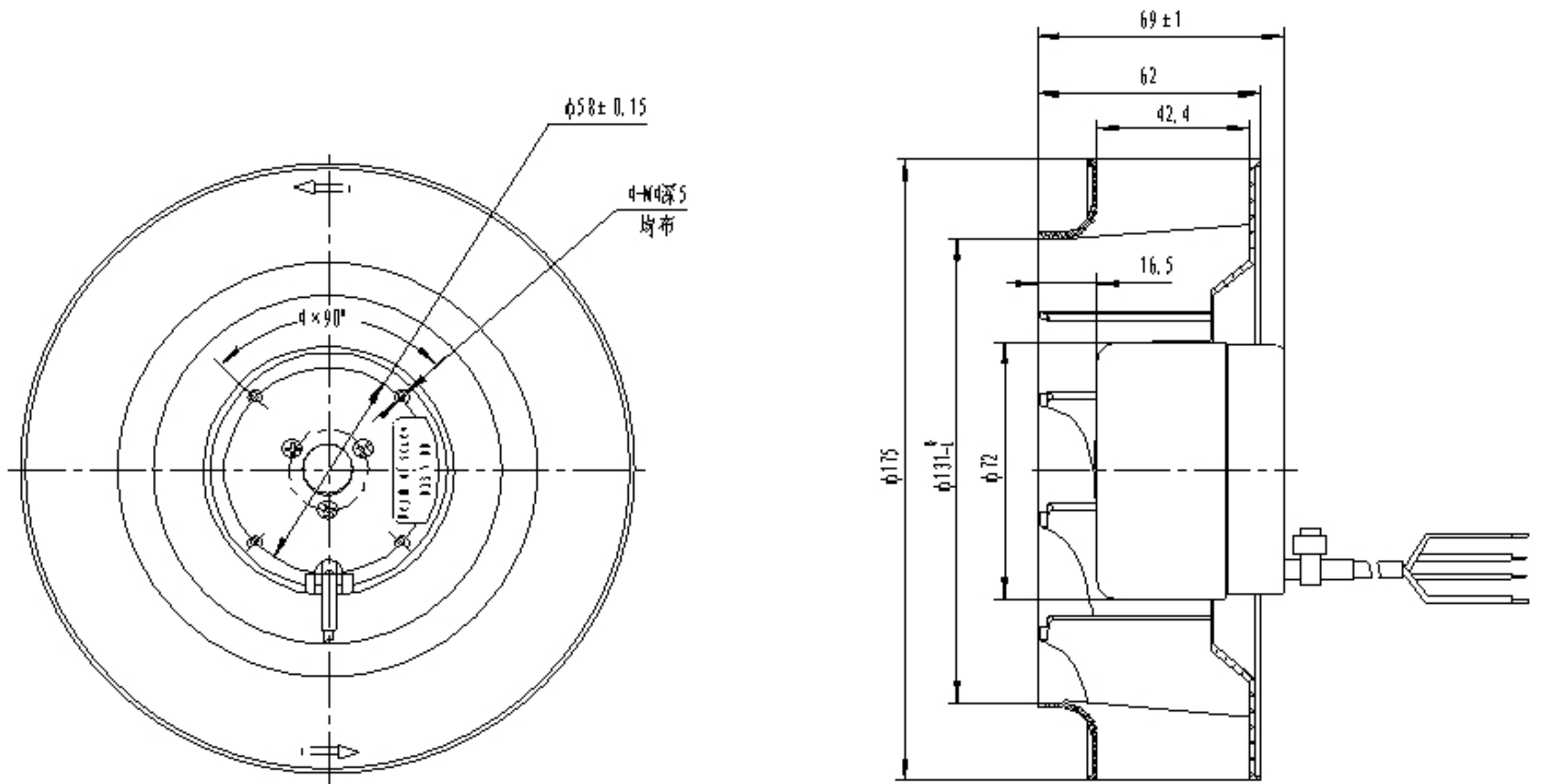
Current limited

Under-voltage and over-voltage lockout protection

**Bearing:** maintenance-free ball bearing

**Approvals:** CCC、CE、UL、TUV

Type	Nominal Voltage (VDC)	Voltage Range (VDC)	Airflow (m <sup>3</sup> /h)	Speed (rpm)	Power (W)	Noise dB (A)	Amb. Temp (°C)
R17592N-05W-B7T	24	16~28	510	3000	35	70	-25~+60



Speed Diagnostic

