

# 规格承认书

## SPECIFICATION FOR APPROVAL

客户名称 CUSTOMER: \_\_\_\_\_

客户料号 PARTS No.: \_\_\_\_\_ S100 \_\_\_\_\_

承认编号 APPROVAL No.: \_\_\_\_\_

风扇型号 FAN MODEL: \_\_\_\_\_ A5920C-23T-B05 \_\_\_\_\_

散热器型号 COOLER MODEL: \_\_\_\_\_

样品数量 QTY: \_\_\_\_\_ 日期 DATE: \_\_\_\_\_

客户承认用印栏 APPROVED SIGNATURES

PLEASE RETURN ONE COPY WITH YOUR APPROVED SIGNATURES.

APPROVED	CHECKED	PREPARED

### 三河市科丰电气有限公司

电话 (TEL): 0316-3095330

传真 (FAX): 0316-3095330

主页 (HTTP): //www. cneport .com

电子邮件 (E-MALL): [postmaster@cneport.com](mailto:postmaster@cneport.com)

# 规格

## SPECIFICATIONS

### 1. 机构 MECHANICAL

1.1 外观尺寸 EXTERNAL DIMENSION	参考附图 REFER TO DRAWING 17251
1.2 重量 WEIGHT	780G
1.3 轴承 BEARING	BALL BEARING 滚珠轴承

### 2. 电气特性 ELECTRICAL CHARACTERISTICS

2.1 额定电压 RETED VOLTAGE	220V
2.2 额定电流 RETED CURRENT	0.12A
2.3 额定功率 RATED INPUT POWER	30W
2.4 电压范围 OPERATENG VOLTAGE RANGE	220V~240VAC
2.5 起动电压 STARTING VOLTAGE	160VAC

#### 2.6 特性定义 CHARACTERISTIC DEFINITION:

2.6.1 额定电流&额定功率须在额定电压下马达连续运转 5 分钟达到规格下限,  
10 分钟达到正常值

Rated current ,rated speed , and rated input power will reach bottom line of specification after 5 minutes continuous rotation at rated voltage and reach standard specification after 10 minutes continuous rotation at rated voltage.

2.6.2 起动电压是指当突然通电后能够使风扇起动之最低电压

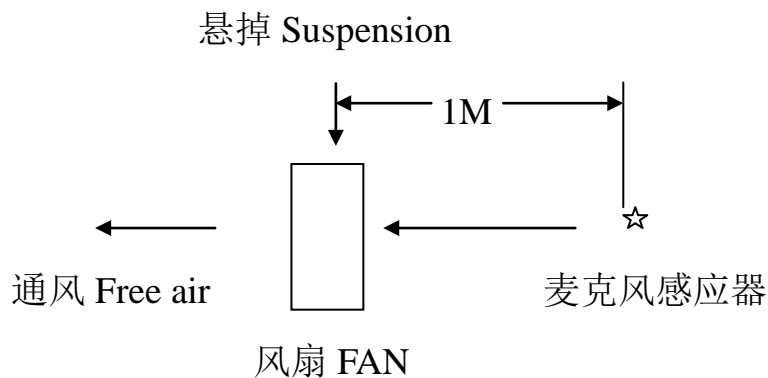
Starting voltage is the least voltage that enables to start the fan by sudden power on.

### 3. 效率 EFFICIENCY

3.1 风扇转速 RATED SPEED(范围 RANGE)	2850RPM ±10%
3.2 最大风量 MAX AIR FLOW	210CFM
3.3 最大静压 MAX STATIC PRESSURE	17mmH <sub>2</sub> O
3.4 噪音分贝 SOUND LEVEL	51dB

#### 3.4.1 噪音测试说明 SOUND LEVEL TEST DESCRIPTION

Background noise: 18dBA(maximum)



### 4. 特性规格 CHARACTERISTICS

4.1 操作温度 OPERATING TEMPERATURE	-30°C ~+75°C
4.2 存储温度 STORAGE TEMPERATURE	-30°C ~+85°C
4.3 环境湿度测试 ENVIRONMENT HUMIDITY	10%(RH) 45°C FOR 24 HOURS &98%(RH) 45°C FOR 24 HOURS
4.4 绝缘阻抗强度 INSULATION RESISTANCE	在本体与导线间加 DC500V, 绝缘阻抗在 20MΩ 以上 AT LEAST 10MΩ AT 500VDC BETWEEN HOUSING AND BOTH LEAD WIRES
4.5 绝缘耐压强度 DIELECTRIC STRENGTH	必须能抵抗在本体与导线间加 1800V 交流电压 1 秒 0.5mA WITHSTAND 1800 VAC 1 SECOND 0.5mA BETWEEN HOUSING AND BOTH LEAD WIRES
4.6 预期寿命(MTBF): 指在额定电压及正常温度,湿度条件下连续运转.	50000H

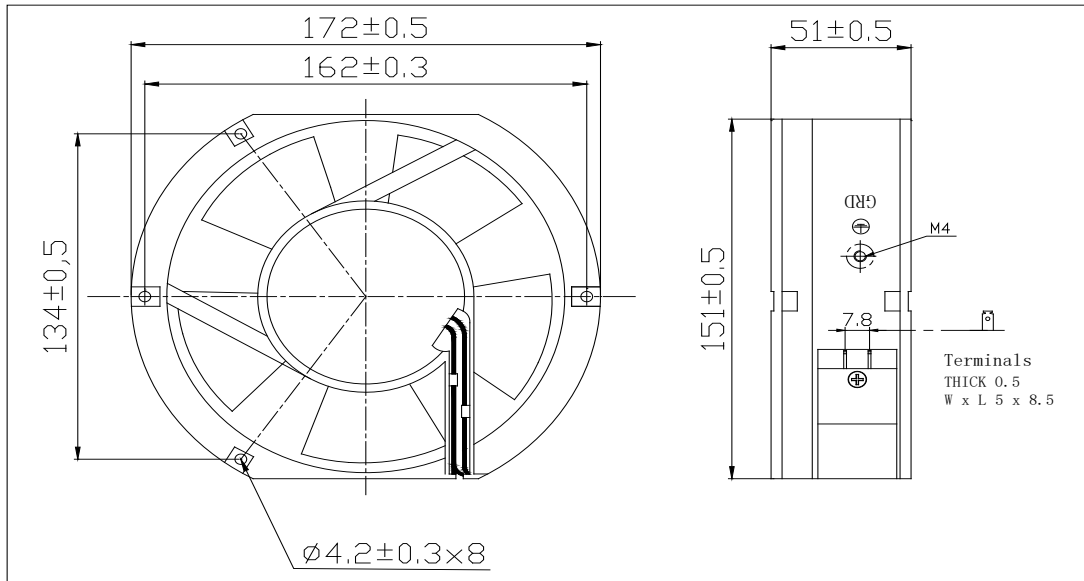
5. 保护功能 PROTECTION:

5.1 热保护 THERMAL PROTECTED

6. 材质规格 MATERIAL

项次 TIEM	主要元件 MAJOR COMPONENTS	材质 MATERIAL	等及 GRADE	UL 号 UL NO.
6.1	外框 FAN HOUSING	铝合金 ALUMINIFEROUS	A	
6.2	扇叶 FAN BLADE	PBT-RG301	94V-0	E171666
6.3	轴芯 STATOR CORE	1Cr13		
6.4	轴承 BEARING	滚珠轴承 BALL BEARING		
6.5	矽钢片 SILICON STEEL STRIP	H23		
6.6	漆包线 ENAMELLED COPPER WIRES	MW-2UEW 130°C		E164502
6.7	电源线 LEAD WIRES	聚乙烯氧化物包铜线 POLYVINYL CHLORIDE ENAMELLED COPPER WIRES	94V-0	E204893

# 外观图 OUTLINE



## ■ 风量 / 风压特性曲线

