

产 品 规 格 书

Product specification

名 称(NAME): 后倾式离心风机 backward curved centrifugal fan型 号(MODEL): R22592N-23W-B21/LJ客户代码(CUSTOMER CODE): D000版本号(VERSION NUMBER): A/0编 制 (Prepared): 吴玲佳 2015.7.14校 对 (Checked): 刘玲波 2015.07.14

审 核 (Reviewed): _____

批 准 (Approved): _____ 2015.7.15

客户确认 (CUSTOMER'S APPROVAL) : _____

日 期 (DATE): _____

换版记录 Description of Revision

版本号 Version No.	换版原因 Notes & Remarks	换版内容 reason content	修订人 Revised by	日期 Date
A/0	/	/	/	/

1.0 概述/ Introduction

本规格书主要描述了产品标准、使用环境、技术要求等。

This specification describes the standards, operating environment, and technic requirements of the product.

2.0 产品标准和安规要求/Requirements of product standards and safety regulations

2.1 本产品符合的标准 / The product satisfy requirements

2.1.1 GB12350 《小功率电动机的安全要求》

GB12350 《Safety requirments of small power motors》

2.1.2 GB/T13275 《一般用途离心通风机通用技术条件要求》

GB/T13275 《General technical requirements for general centrifugal fan》

2.1.3 EN60335-1 《家电和类似用途电器的安全要求》

EN60335-1 《Safety requirements of household and similar electrical appliances》

2.2 本产品通过 CCC、CE 认证

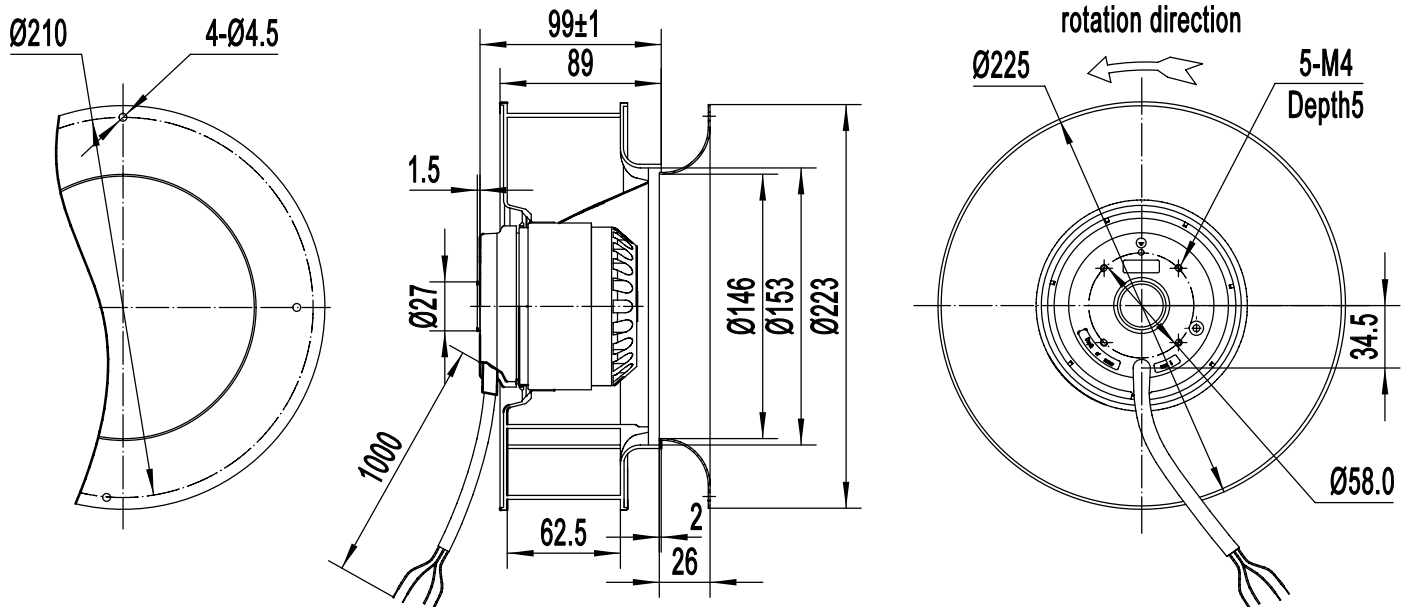
The fan is CCC, CE approved.

2.3 本产品全部材料符合 RoHS 要求

All materials are RoHS compliant.

3.0 机械要求/ Mechanical requirements

3.1 外形图/Dimensioned drawing



3.2 材质/Materials

转子铸铝;风轮PA6

Rotor: Aluminum Casting; Impeller:PA6

3.3 电机/Motor

外转子交流电机/ External rotor AC motor

3.4 电机型号/Motor type

YWM092-045-16-2S-A13

3.5 轴承/ball bearing

免维护滚珠球轴承/ Maintenance free ball bearing

3.6 平衡/Balancing

风机在额定电压和频率下运转时，每个端面动平衡精度不低于G6.3，符合标准JB/T9101。

The residual unbalance weight is less than the permit value of G6.3 (balancing precision grade, according to the standard of JB/T9101) when the fan is running at rated voltage and frequency.

3.7 振动/Vibration of the fan

风机振动速度有效值按照JB/T8689标准规定。

Vibration speed virtual value of fans accord with JB/T8689.

3.8 跳动/ Runout of impeller

风轮轴向、径向跳动 $\leq 1\text{mm}$ 。

Runout of impeller in axial and radial direction $\leq 1\text{mm}$ 。

3.9 寿命/Life time

风机寿命估算值20000小时，（在额定电压、环境温度为40℃、风机全速运转时）

The designed lifespan of the fan is 20000 hours assuming the fan is running at rated voltage, full speed and 40 degrees C environmental temperature.

3.10 产品净重/Net Weight

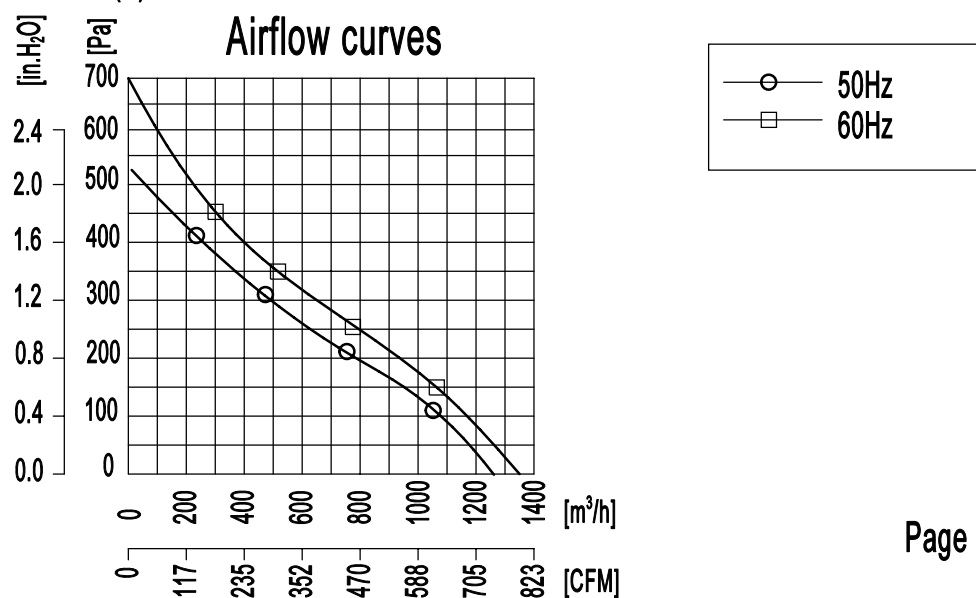
Net weight: 3.5Kg

4.0 风机性能/Fan performance

4.1 性能参数/Performance data

额定电压/ Voltage[V]	频率/ Frequency[Hz]	电容/ Capacitor[μ F] ($\pm 5\%$)	输入电流/ Current draw [A] ($\pm 10\%$)	输入功率/ Power input[W] ($\pm 10\%$)	转速/ Speed[r/min] ($\pm 10\%$)	风量/ Air flow/(0Pa) [m ³ /h]($\pm 10\%$)	噪音/ Noise level [Lp dB(A)]
220/230	50	6	0.72	145	2640	1200	70
	60	6	0.95	215	2960	1350	72

4.2 特性曲线/Performance curve(s)



5.0 电气性能/Electrical performance

5.1 铭牌/Label (选中请打勾/Please tick at your choice)

中文/chinese

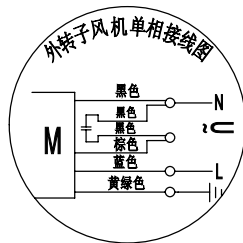
	R22592N-23W-B21/LJ 单相异步外转子风扇电动机	
	220V 50Hz 0.72A 145W 2640RPM 220V 60Hz 0.95A 215W 2960RPM 6 μ F/500V CL.F IP44 20xx.xx.xx-x	

英文/english

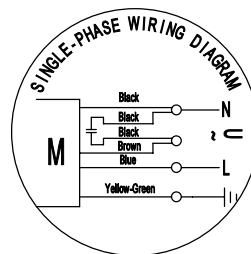
	R22592N-23W-B21/LJ SINGLE-PHASE FAN MOTOR	
	230V 50Hz 0.72A 145W 2640RPM 230V 60Hz 0.95A 215W 2960RPM 6 μ F/500V CL.F IP44 20xx.xx.xx-x MADE IN CHINA	

5.2 接线图/Wiring diagram (选中请打勾/Please tick at your choice)

中文/chinese



英文/english



5.3 电压范围/Voltage range

风机设计的额定运行电压为230V，可运行的电压范围是198~242V。

The fan is designed to operate at a nominal voltage of 230V, but it can be operated in the range of 198-242V.

5.4 保护/Protection

电机有热保护功能，断开温度:150—160℃,复位温度:90—120℃

This motor has overheated protection function, cut off temperature is between 150—160℃ and reset temperature is between 90—120℃.

5.5 防护等级: IP 44

Protection Class: IP44。

5.6 绝缘等级: F

Insulation Class: F

5.7 工作制/Type of Application

S1 S2 其他/Other

5.8 安装方式/ Installation Mode

水平/Horizontal 垂直/Vertical 其他/Other

5.9 调速方式/Mode of speed regulation

斩波/PWM 变频/VFD 抽头/By Wiring 电容/Capacitor 无极调速/Stepless 无/NA

6.0 质量要求/Quality Requirements

质量要求符合ISO9001:2000和企业标准。

Quality requirements accord with ISO9001:2000 and Dunli's quality standards.

7.0 使用和存储环境/ Operating and storing environmental requirements

7.1 使用环境/ Operating environmental requirements

使用温度范围/Operating temperature range: $-30^{\circ}\text{C} \sim +60^{\circ}\text{C}$

使用湿度范围/Operating humidity range: $0\% \sim 90\% \text{RH}$

海拔高度/Operating altitude: $\leq 1000\text{m}$

7.2 贮存环境/Storing environmental requirements

贮存温度范围: $-10^{\circ}\text{C} \sim +40^{\circ}\text{C}$, 贮存湿度范围: $0\% \sim 75\% \text{RH}$ 。

Storing temperatures range: $-10^{\circ}\text{C} \sim +40^{\circ}\text{C}$; Storing humidity range: $0\% \sim 75\% \text{RH}$ 。

8.0 包装和标识/ Packaging and marks

8.1 包装/Packaging

泡沫包装/Foam packaging

8.2 标识/Marks

制造商名称、产品型号、重量、尺寸等

Markings: Name of manufacturer, fan model , date of production, weight, dimensions, etc.

9.0 附件/Other requirements on accessories

9.1 电容/Capacitor

■带/Yes, □不带/No, □根据销售订单配备/As per sales' requirement.

9.2 连接件要求/Connector

连接器/Connector(□有/Yes, ■没有/No), 型号/Modle:

端子/Terminal(□有/Yes, ■没有/No), 型号/Modle: