

产品规格承认书

**PRODUCT SPECIFICATION
APPROVAL SHEET**

客户(Customer): X000
规格(Description): 40*40*28mm
型号(Model No): D1611N-04W-B09

送样日期(Sample Issue Date): _____
版本(Edition): B

| 客户承认栏 CONFIRMATION SIGNATURE | 确认栏 MUTUAL SIGNATURE | | |
|--|---------------------------------------|-------------|-------------|
| <p>本承认书内容若贵司确认无误， 请于上方承认栏内签章寄回。 Please confirm your acceptance of this approval sheet by return fax.</p> | 核准 APPD. | 审核 EDAM. | 制表 DRAW. |
| | 叶国洲 | 郝玉成 | 余丽华 |

制造：三河市科丰电气有限公司
电话：010-80843596 400-0106659

地址：河北廊坊市三河市燕郊开发区百世金谷
传真：010-80843596-8031 网址：www.cneport.com

一、产品规格要求

PRODUCT SPECIFICATION

| 序号 No. | 项目 Item | 规格 Specification | 单位 Unit |
|--------|--|------------------|--------------------|
| 1 | 尺寸 Dimensions | 40*40*28 | mm |
| 2 | 额定电压 Rated Voltage | 12.0 | VDC |
| 3 | 工作电压 Operating Voltage | 6.0~13.8 | VDC |
| 4 | 起动电压 Start-up Voltage | 6.0 | VDC |
| 5 | 输入电流 Input Current | 0.30(Max.0.40) | A |
| 6 | 标签电流 Label Current | 0.40 | A |
| 7 | 输入功率 Input Power | 3.60(Max.4.80) | W |
| 8 | 转速 Speed | 13000±10% | RPM |
| 9 | 最大风量(零静压时)Max. Air Flow(At Zero Static Pressure) | 16.5 | CFM |
| 10 | 最大风压(零风量时) Max. Air Pressure(At Zero Air Flow) | 22 | mmH ₂ O |
| 11 | 噪声 Acoustical Noise | 48 | dB(A) |
| 12 | 预期寿命 Life Expectancy | 50000 | Hours/40°C |
| 13 | 产品重量 Net Weight | 42 | Gram |
| 14 | 环保要求 Environmental Compliance | RoHS | / |

二、功能 Function

| | | |
|---|-------------------------------------|------------------------|
| 1 | <input checked="" type="checkbox"/> | 自动重新启动 Auto Restart |
| 2 | <input type="checkbox"/> | 缓起动 Soft Start |
| 3 | <input type="checkbox"/> | 方波输出 Tachometer Output |
| 4 | <input type="checkbox"/> | 报警输出 Lock Rotor Alarm |
| 5 | <input type="checkbox"/> | 脉冲宽度控制 PWM Control |
| 6 | <input type="checkbox"/> | IP 等级 IP Grade 67 |

三、机械特性

Mechanical Characteristics

| | | |
|---|-----------------|--|
| 1 | 外形尺寸 Dimensions | See Dimensions Drawing |
| 2 | 外框 Frame | <input checked="" type="checkbox"/> Plastic of PBT <input type="checkbox"/> Die-cast Aluminum Alloy |
| 3 | 扇叶 Impeller | Plastic of PBT |
| 4 | 轴承 Bearing | <input checked="" type="checkbox"/> Ball Bearing <input type="checkbox"/> Sleeve Bearing |
| 5 | 端子 Connector | 2.54 端 2L300mm UL1007 26AWG 绞线 |
| 6 | 导线 Lead Wire | <input checked="" type="checkbox"/> 红 Red (+) <input checked="" type="checkbox"/> 黑 Black(-) <input type="checkbox"/> 白 White(FG) <input type="checkbox"/> 蓝 Blue(Pwm) |
| 7 | 旋转方向 Rotation | 从标签方向看顺时针旋转 Clockwise Rotation View From Label Side |

四、电性规格

Electrical Specifically

| | | |
|---|-------------------------------|--|
| 1 | 绝缘阻抗 Insulation Resistance | 框与导线正极端子之间加直流 500VDC, 最小 10M Ω ; Min 10M ohm between frame and positive terminal at 500VDC. |
| 2 | 绝缘耐压 Dielectric strength | 框与导线正极端子之间加 1500VAC/60Hz, 1 分钟测定漏电流最大 5 mA; Max. 5 mA between frame and positive terminal at 1500VAC/60Hz for 1 minute. |
| 3 | 绝缘类型 Insulated Type | UL: Class A (105 $^{\circ}$ C) |

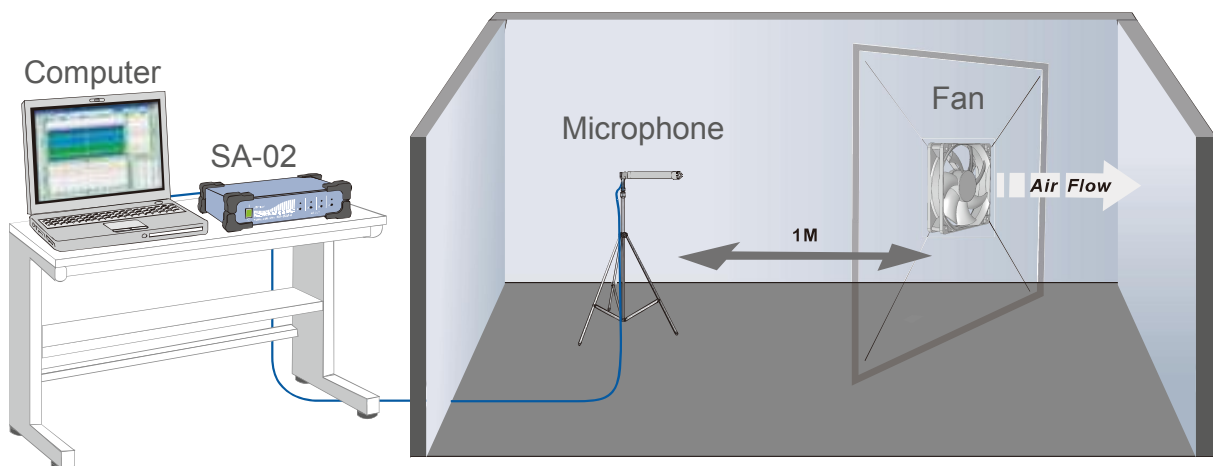
五、环境测试

Environmental Specification

| | | |
|---|-----------------------------------|---|
| 1 | 运转温/湿度范围 Operating Temp .Range | 温度/Temperature:-10 $^{\circ}$ C - +70 $^{\circ}$ C 湿度/Humidity:35% - 85%RH |
| 2 | 保存温/湿度范围 Storage Temperature | 温度/Temperature:-40 $^{\circ}$ C - +75 $^{\circ}$ C 湿度/Humidity:35% - 85%RH |

六、噪音测试条件

NOISE TEST CONDITION

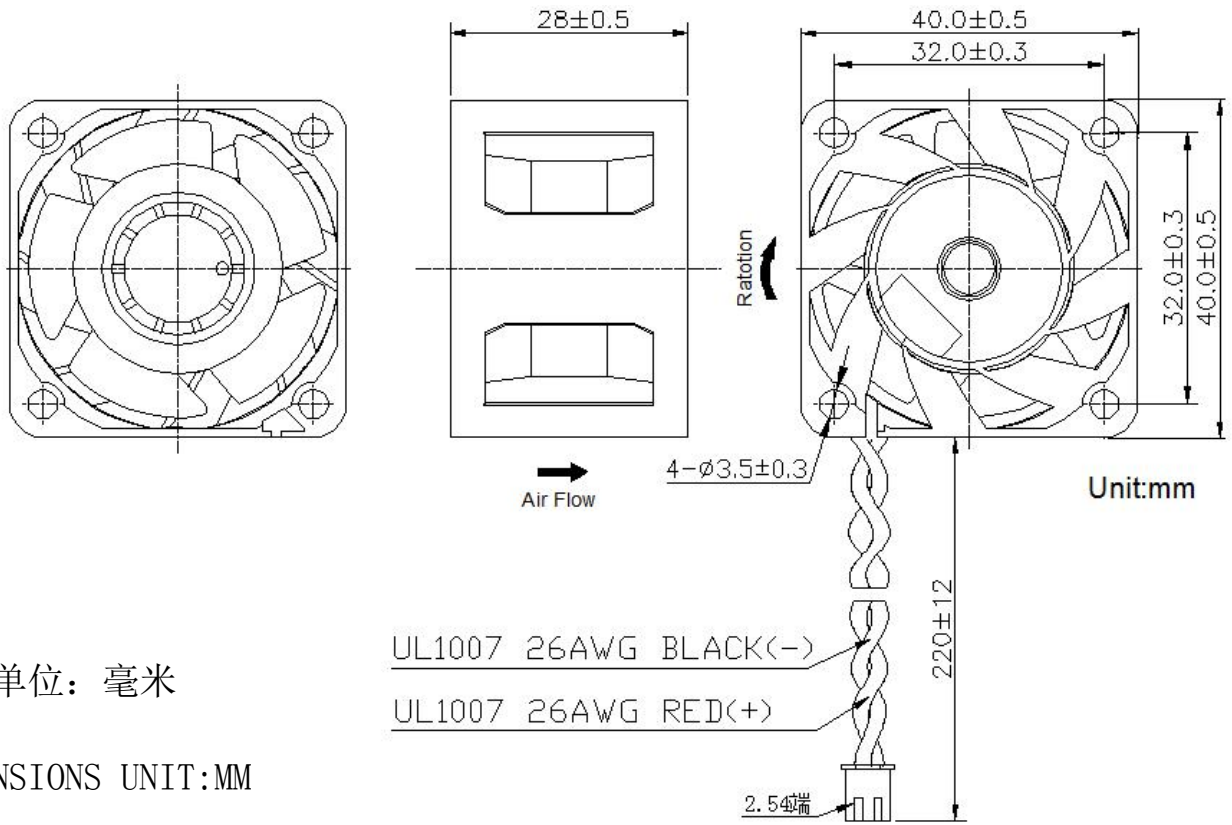


测量系统/Measurement Systems

1. ANECHOIC Room Noise Measurement System
2. Rion SA-02 4-Channel Signal Analyzer, U-57 Microphone
3. Specifications:CNS8753/ISO3744 ,ISO 7779
4. Background Noise:<18dB(A)

七、产品图纸

PRODUCT DRAWING

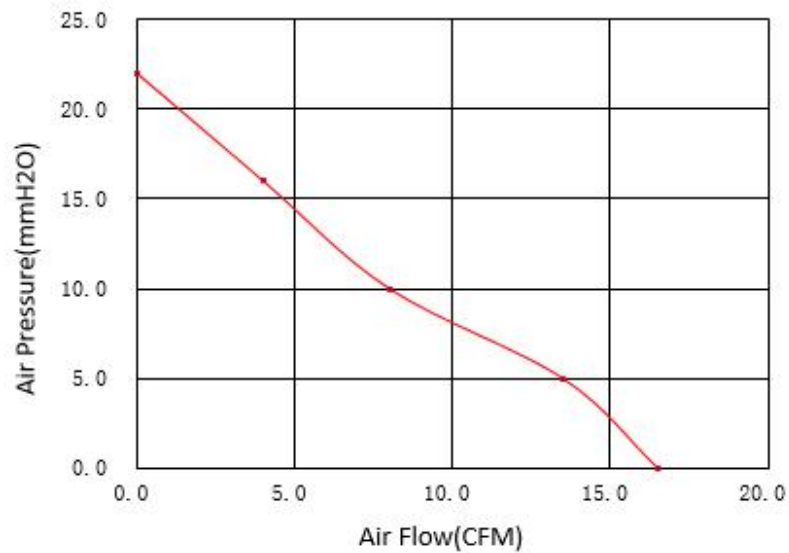


尺寸单位：毫米

DIMENSIONS UNIT:MM

八、风扇输出曲线图

Fan output curves of



九、注意事项 NOTE

1. 我们提供的产品应在规格书指定的条件内使用，如果您的应用超出规格极限，我们对此不保证产品质量。
Our products should be used within the specification appointed condition, so we will not guarantee this product quality if your application exceeds the limitations outlined in this specification.
2. 除非事先通知我们所需求参数，否则出货产品与此份规格书一致，未在此份规格书中指定的参数与贵公司最终承认的样品相同。
Product will be shipped in accordance with this specification unless we has been previously notified of parameters requiring exception, if parameters which are not specified in this specification.
3. 不适当的安装可能产生刺耳的共振，振动和噪音，安装时，请不要在安装点用力过度或用力不均以免造成振动或噪音。在安装点装置减振器，可有效降低噪音及振动。Improper mounting may cause harsh resonance, vibration and noise. Please mount this fan motor properly without applying excessive or uneven force at the mounting points to avoid vibration and noise. Dampers at the mounting points can reduce noise and vibrations greatly.
4. 建议安装风扇保护罩，以免对人员造成意外伤害。
Please use fan guards to avoid personal accidental injuries.
5. 除非IP等级中有特殊说明，否则该款风扇只能在正常环境下操作。Unless this fan motor is specified for use in abnormal environments designated by IP rating level, this fan is designed to operate under normal environmental conditions.
6. 请避免将产品接触有毒物质 如：（有机物、氰、福尔马林、苯酚等）。以及在腐蚀性气体环境中使用 如：（硫化氢、二氧化硫、二氧化氮等）。Please avoid operating products in poisonous material (organic, cyanogens, formalin, phenol, etc.) or corrosive gas environment (H₂S, SO₂, NO₂, etc.)
7. 当风扇在灰尘环境中使用时，请在风扇进风口处安装过滤装置以延长风扇使用寿命。Please use filters to clean the air-intake in very dusty air environments for extended fan life.
8. 在保证产品性能及寿命不变，或者得以提升的条件下。除非事先约定，我们保留使用同等规格多种来源零件的权利，原材料和结构的变更不做预先通知。Unless prior agreement, We reserve the right to use components with equivalent specifications from multiple sources, so material and construction are subject to change without advance notice.
9. 请确保风扇在规定的温湿度储存环境中，如果风扇存储6个月以上，我们建议客户测试风扇功能后再使用。
Always ensure that fans are stored according to the storage temperatures specified. Do not store in a high humidity environment. If the fans are stored for more than 6 months, we recommend functional testing before using.
10. 确定在连接和断开连接器之前关掉电源，避免产生电子零件短路。Make sure to turn off the power before connection or disconnecting the connectors. This may cause short of electronic parts.
11. 请不要碰触扇叶和拉扯线材，以免损坏轴承及导线。此外，静电可能损坏内部的风扇组件 Please do not touch the impeller and never carry the fan the lead wires. The bearings and the lead wires may be damaged. Additionally, static electricity may damage the intenal ciruits of the fan

制造：三河市科丰电气有限公司
电话：010-80843596 400-0106659

地址：河北廊坊市三河市燕郊开发区百世金谷
传真：010-80843596-8031 网址：www.cneport.com