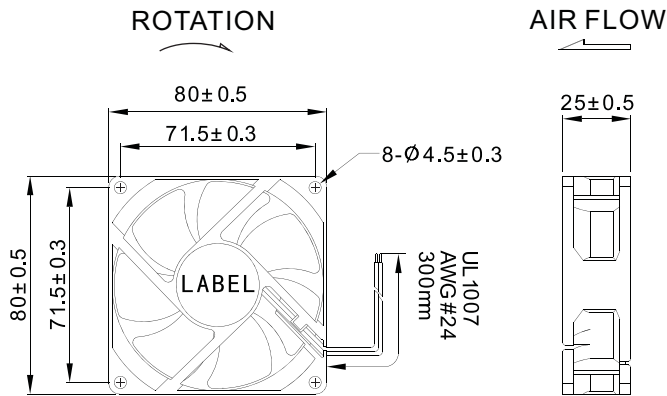


8025 Axial Fan 25mm thick

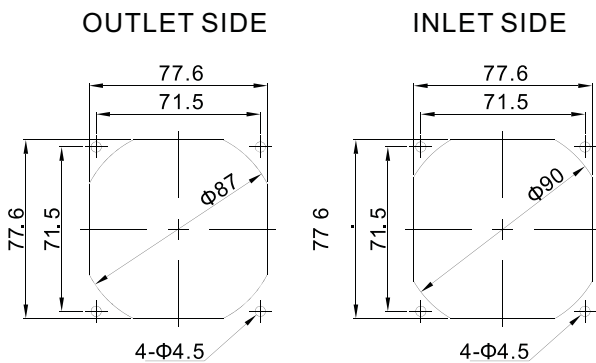
General Specifications

- Material..... Frame: Plastic(UL94V-0)
Impeller: Plastic(UL94V-0)
Lead Wire: UL1007AWG#24 or Equivalent (+)Red, (-)Black
- Expected Life..... Ball Bearing 50,000hrs(40°C)
Sleeve Bearing 30,000hrs(40°C)
- Temperature Range.. Operating temperature -10°C~+70°C(Non-condensing)
Storage temperature -40°C~+70°C(Non-condensing)

Dimensions(Unit:mm)



Mounting Panel Cutout (Unit:mm)

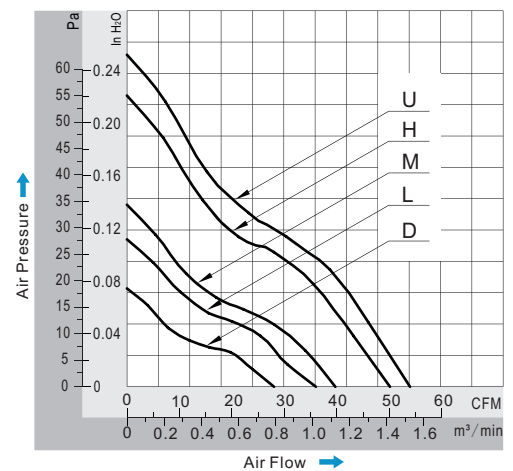


Specifications

Model	#Bearing Type	Rated Voltage	Operating Voltage	Input Current	Input Power	Speed	Max Air Flow	Max Static Pressure	Noise	Weight		
Part No.	B.S	VDC	VDC	Amp	Watt	RPM	CFM	m ³ /min	Inch-H ₂ O	Pa	dB-A	g
D3110N-04W-B06	B.S	12	7.0~13.8	0.50	6.00	4000	54.14	1.53	0.25	62.37	40.0	58.0
D3110N-04W-B05	B.S	12	7.0~13.8	0.40	4.80	3500	50.35	1.43	0.22	54.82	36.0	58.0
D3110N-04W-B04	B.S	12	7.0~13.8	0.30	3.60	3000	39.98	1.13	0.14	34.81	31.0	58.0
D3110N-04W-B03	B.S	12	7.0~13.8	0.20	2.40	2500	35.67	1.01	0.11	27.65	25.0	58.0
D3110N-04W-B02	B.S	12	7.0~13.8	0.10	1.20	2000	27.39	0.78	0.07	18.14	22.0	58.0
D3110N-05W-B06	B.S	24	14.0~27.6	0.40	9.60	4000	54.14	1.53	0.25	62.37	40.0	58.0
D3110N-05W-B05	B.S	24	14.0~27.6	0.30	7.20	3500	50.35	1.43	0.22	54.82	36.0	58.0
D3110N-05W-B04	B.S	24	14.0~27.6	0.20	4.80	3000	39.98	1.13	0.14	34.81	31.0	58.0
D3110N-05W-B03	B.S	24	14.0~27.6	0.15	3.60	2500	35.67	1.01	0.11	27.65	25.0	58.0
D3110N-05W-B02	B.S	24	28.0~56.0	0.10	2.40	2000	27.39	0.78	0.07	18.14	22.0	58.0
D3110N-07W-B06	B.S	48	28.0~56.0	0.30	14.40	4000	54.14	1.53	0.25	62.37	40.0	58.0
D3110N-07W-B05	B.S	48	28.0~56.0	0.25	12.00	3500	50.35	1.43	0.22	54.82	36.0	58.0
D3110N-07W-B04	B.S	48	28.0~56.0	0.20	9.60	3000	39.98	1.13	0.14	34.81	31.0	58.0
D3110N-07W-B03	B.S	48	28.0~56.0	0.15	7.20	2500	35.67	1.01	0.11	27.65	25.0	58.0



PQ Curve(At Rated Voltage)



Safety Standards



DC Fans Specials

