

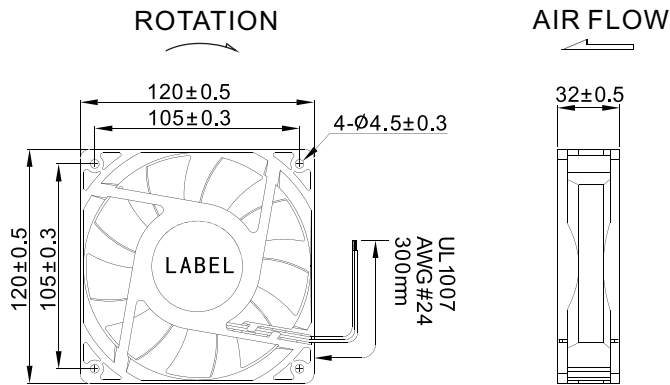
## 12032 Axial Fan 32mm thick

### General Specifications

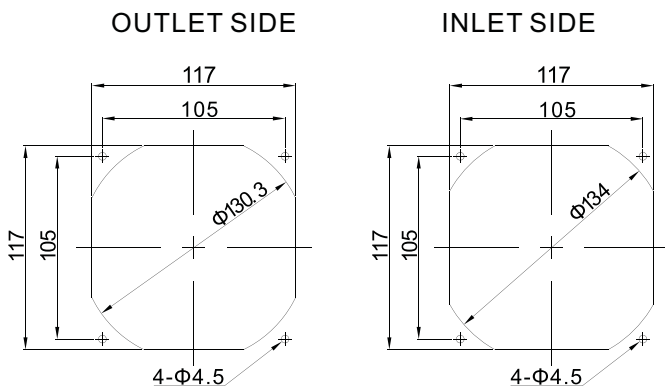
- Material..... Frame: Plastic(UL94V-0)  
Impeller: Plastic(UL94V-0)  
Lead Wire: UL1007AWG#24 or Equivalent (+)Red, (-)Black
- Expected Life..... Ball Bearing 50,000hrs(40°C)
- Temperature Range.. Operating temperature -10°C~+70°C(Non-condensing)  
Storage temperature -40°C~+70°C(Non-condensing)



### Dimensions(Unit:mm)



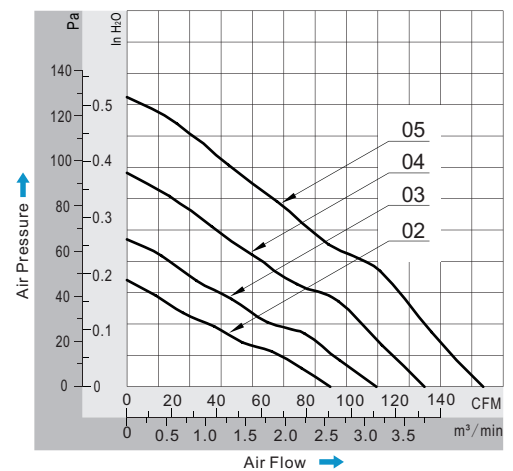
### Mounting Panel Cutout (Unit:mm)



### Specifications

Model	#Bearing Type	Rated Voltage	Operating Voltage	Input Current	Input Power	Speed	Max Air Flow	Max Static Pressure		Noise	Weight	
Part No.	B	VDC	VDC	Amp	Watt	RPM	CFM	m³/min	Inch-H <sub>2</sub> O	Pa	dB-A	g
D4712N-04W-B05	B	12	7.0~13.8	2.00	24.00	3500	158.22	4.48	0.51	127.39	50.0	237.0
D4712N-04W-B04	B	12	7.0~13.8	1.00	12.00	3000	134.90	3.82	0.38	95.12	46.0	237.0
D4712N-04W-B03	B	12	7.0~13.8	0.80	9.60	2500	110.90	3.14	0.26	64.92	40.0	237.0
D4712N-04W-B02	B	12	7.0~13.8	0.50	6.00	2000	91.15	2.58	0.18	45.60	33.0	237.0
D4712N-05W-B05	B	24	14.0~27.6	1.00	24.00	3500	158.22	4.48	0.511	27.39	50.0	237.0
D4712N-05W-B04	B	24	14.0~27.6	0.70	16.80	3000	134.90	3.82	0.3	95.12	46.0	237.0
D4712N-05W-B03	B	24	14.0~27.6	0.50	12.00	2500	110.90	3.14	0.26	64.92	40.0	237.0
D4712N-05W-B02	B	24	14.0~27.6	0.30	7.20	2000	91.15	2.58	0.18	45.60	33.0	237.0
D4712N-07W-B05	B	48	28.0~56.0	0.602	8.80	3500	158.22	4.48	0.511	27.39	50.0	237.0
D4712N-07W-B04	B	48	28.0~56.0	0.45	21.60	3000	134.90	3.82	0.38	95.12	46.0	237.0
D4712N-07W-B03	B	48	28.0~56.0	0.25	12.00	2500	110.90	3.14	0.26	64.92	40.0	237.0
D4712N-07W-B02	B	48	28.0~56.0	0.15	7.20	2000	91.15	2.58	0.18	45.60	33.0	237.0

### PQ Curve(At Rated Voltage)



### Safety Standards



### DC Fans Specials

