

产 品 规 格 书

Product specification

名 称(NAME): 吹风型 轴流风机 Axial fan型 号(MODEL): S50137Q-38L-A43客户代码(CUSTOMER CODE): D000版本号(VERSION NUMBER): A/0

编 制 (Prepared): _____

校 对 (Checked): _____

审 核 (Reviewed): _____

批 准 (Approved): _____

客户确认 (CUSTOMER'S APPROVAL) : _____

日 期(DATE): 2018.5.22

三河市科丰电气有限公司

换版记录 Description of Revision

版本号 Version No.	换版原因 Notes & Remarks	换版内容 reason content	修订人 Revised by	日期 Date
A/0	/	/	/	/

1.0 概述/ Introduction

本规格书主要描述了产品标准、使用环境、技术要求等。

This specification describes the standards, operating environment, and technical requirements of the product.

2.0 产品标准和安规要求/Requirements of product standards and safety regulations

2.1 本产品符合的标准 / The product satisfy requirements

2.1.1 GB12350 《小功率电动机的安全要求》

GB12350 《Safety requirements of small power motors》

2.1.2 EN60335-1 《家电和类似用途电器的安全要求》

EN60335-1 《Safety requirements of household and similar electrical appliances》

2.2 本产品通过 CCC、CE 认证

The fan is CCC, CE approved.

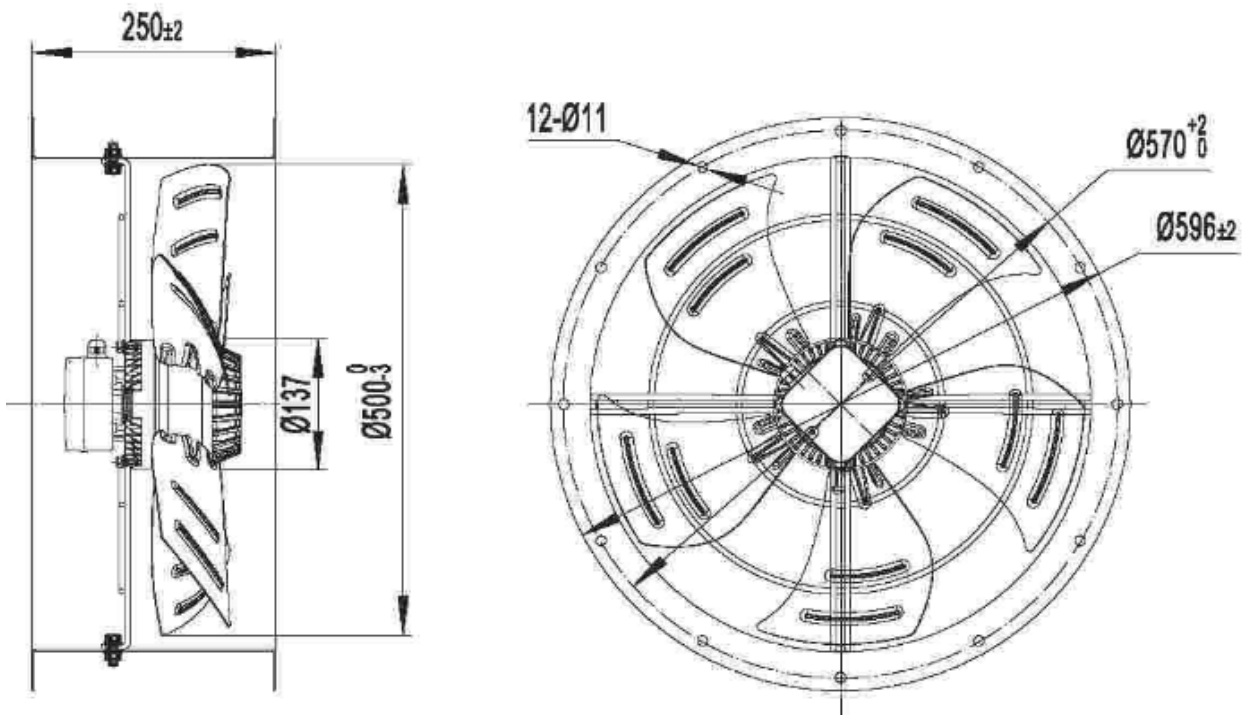
2.3 本产品全部材料符合 RoHS 要求

All materials are RoHS compliant.

3.0 机械要求/ Mechanical requirements

3.1 外形图/Dimensioned drawing

Model No.E



3.2 材质/Materials

叶片 SPCC, 转子铸铝

Blade: SPCC; Rotor: Aluminum Casting

3.3 电机/Motor

外转子交流电机/ External rotor AC motor

3.4 电机型号/Motor type

YWM137-035-24-4T-A30

3.5 轴承/ball bearing

免维护滚珠球轴承/ Maintenance free ball bearing

3.6 平衡/Balancing

风机在额定电压和频率下运转时，每个端面动平衡精度不低于G6.3，符合标准JB/T9101。
The residual unbalance weight is less than the permit value of G6.3 (balancing precision grade, according to the standard of JB/T9101) when the fan is running at rated voltage and frequency.

3.7 振动/Vibration of the fan

风机振动速度有效值按照JB/T8689标准规定。

Vibration speed virtual value of fans accord with JB/T8689.

3.8 寿命/Life time

风机寿命估算值20000小时，（在额定电压、环境温度40℃、额定负载时）

The designed lifespan of the fan is 20000 hours assuming the fan is running at rated voltage, rated load and 40 degrees C environmental temperature.

3.9 产品净重/Net Weight

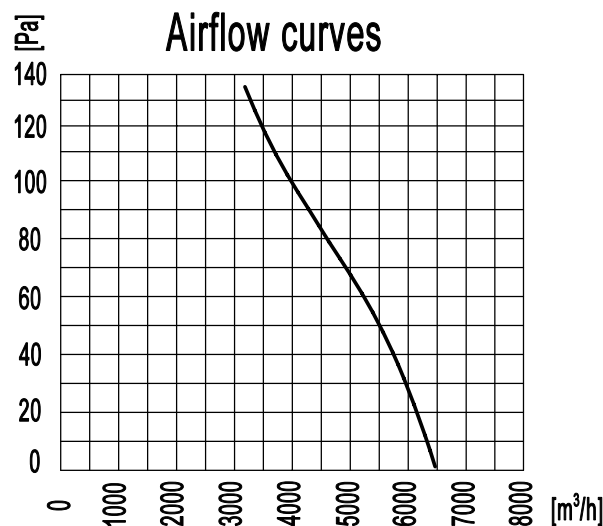
Net weight: 11Kg

4.0 风机性能/Fan performance

4.1 性能参数/Performance data

额定电压/ Voltage[V]	频率/ Frequency[Hz]	电容/ Capacitor[μ F] ($\pm 5\%$)	输入电流/ Current draw [A] ($\pm 10\%$)	输入功率/ Power input[W] ($\pm 10\%$)	转速/ Speed[r/min] ($\pm 10\%$)	风量/ Air flow/(0Pa) [m ³ /h]($\pm 10\%$)	噪音/ Noise level [Lp dB(A)]
380	50	/	0.95	420	1350	6500	69

4.2 特性曲线/Performance curve(s)

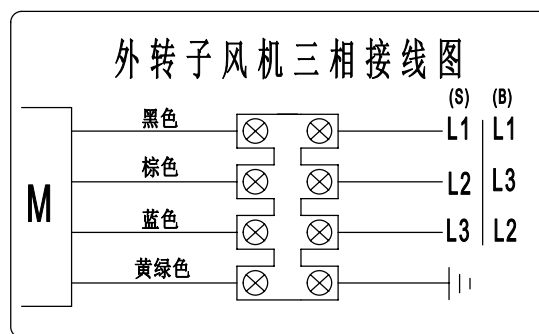


5.0 电气性能/Electrical performance

5.1 铭牌/Label



5.2 接线图/Wiring diagram



5.3 电压范围/Voltage range

风机设计的额定运行电压为380V，可运行的电压范围是342~418V，

The fan is designed to operate at a nominal voltage of 380V, but it can be operated in the range of 342-418V

5.4 保护/Protection

电机有热保护功能，断开温度:150—160℃,复位温度:90—120℃

This motor has overheated protection function, cut off temperature is between 150—160℃ and reset temperature is between 90—120℃.

5.5 防护等级: IP54

Protection Class: IP54。

5.6 绝缘等级: F

Insulation Class: F

5.7 工作制/Type of Application

■ S1 □ S2 □ 其他/Other

5.8 安装方式/ Installation Mode

■ 水平/Installation □ 垂直/Vertical □ 其他/Other

5.9 调速方式/Mode of speed regulation

□ 斩波/PWM □ 变频/VFD □ 抽头/By Wiring □ 电容/Capacitor □ 无极调速/Stepless ■ 无/NA

6.0 质量要求/Quality Requirements

质量要求符合ISO9001:2000和企业标准。

Quality requirements accord with ISO9001:2000 and Dunli's quality standards.

7.0 使用和存储环境/ Operating and storing environmental requirements

7.1 使用环境/ Operating environmental requirements

使用温度范围/Operating temperature range: $40^{\circ}\text{C} \sim +80^{\circ}\text{C}$

使用湿度范围/Operating humidity range: $0\% \sim 90\% \text{RH}$

海拔高度/Operating altitude: $\leq 2000\text{m}$

7.2 贮存环境/Storing environmental requirements

贮存温度范围: $-40^{\circ}\text{C} \sim +40^{\circ}\text{C}$, 贮存湿度范围: $0\% \sim 75\% \text{RH}$ 。

Storing temperatures range: $-40^{\circ}\text{C} \sim +40^{\circ}\text{C}$; Storing humidity range: $0\% \sim 75\% \text{RH}$ 。

8.0 包装和标识/ Packaging and marks

8.1 包装/Packaging

纸箱包装/Carton packaging

8.2 标识/Marks

制造商名称、产品型号、重量、尺寸等

Markings: Name of manufacturer, fan model , date of production, weight, dimensions, etc.

9.0 附件/Other requirements on accessories

9.1 电容/Capacitor

带/Yes, 不带/No, 根据销售订单配备/As per sales' requirement.

9.2 连接件要求/Connector

连接器/Connecter(有/Yes, 没有/No), 型号/Modle:

端子/Terminal(有/Yes, 没有/No), 型号/Modle: