

产品规格/承认书

Product Specification/Approval Sheet

型号 (Model NO.)	TD924012HB-K-GP	编号 (Part NO.)	YSD92713A
安规 (Safety Approvals)	<input type="checkbox"/> UL <input type="checkbox"/> CE <input type="checkbox"/> TUV <input checked="" type="checkbox"/> 无	安规编号 (File NO.)	

1. 一般规格 (General Specification)

1.1	额定电压 (Rated Voltage)	DC12V	
1.2	工作电压范围 (Operating Voltage Range)	DC9V~DC13.2V	
1.3	起动电压 (Starting Voltage)	DC9V	
1.4	额定电流 (Rated Current)	实测电流: 1.91A±0.2A 标签电流: 1.90A	A. 额定电压 (Rated Voltage) B. 25°C
1.5	锁机电流 (Lock Rotor Current)		C. 65%RH
1.6	额定功率 (Rated Power Consumption)	22.8W±2.4W	
1.7	转速 (Speed)	2190R. P. M. ±10%	A. 额定电压 (Rated Voltage) B. 25°C, 65%RH C. 自由空气 (Free Air)
1.8	风量	111.69CFM	A. 风压 (Air Pressure)=0 B. 额定电压 (Rated Voltage)
1.9	风压 (Static Pressure)	3.39mmH ₂ O	C. 额定电流 (Rated Current) D. 风量 (Air Flow=0)

1.10	噪音 (Noise)	33.53dBA	A. 额定电压 (Rated Voltage) B. 无响室测试 (Measured in a Non-Echo Chamber) (18+1dbA) C. 1M 间距 (Distance 1M)
1.11	寿命 (Life Expentancy)	<input type="checkbox"/> 30000h <input type="checkbox"/> 40000h <input checked="" type="checkbox"/> 50000h	A. 额定电压 (Rated Voltage) B. 30°C
1.12	运转方向 (Rotating Direction)	<input checked="" type="checkbox"/> 逆时针 (CCW)	<input type="checkbox"/> 顺时针 (CW)

三河市科丰电气有限公司

Date(日期): 2015/2/6

Dong Guan Xu Heng Electronics Co.,LTD

Revised(版本): A0

2. 主要材料/零件规格(Main Materials /Parts Specification) RoHS (环保) Not RoHS (非环保)

2.1	塑胶材料/扇叶、外框、绝缘套 (Plastic Material/Blade、Housing、 Bobbin)	外框 (冷轧板) 扇叶 (铝叶) <input type="checkbox"/> Black (黑色) <input checked="" type="checkbox"/> White (白色) <input type="checkbox"/> Transparent (透明)
2.2	轴承(Bearing)	滚珠轴承 (Two Ball Bearing)
2.3	导线 (Lead wire)	Red(+), Black(-), White(PWM), Yellow(FG), UL1007\22AWG
2.4	端子胶壳 CONN. Housing	附图

3. 电气规格(Electrical Specefication)

3.1	绝缘阻抗 (Insulation Resistance)	10MΩ /导线与外框间测量, 500VDC/Min(10MΩ /b/w/unshieldedwire and frame at 500VDC/min)
3.2	绝缘耐压 (Dielectric Strength)	5MA Max. /导线与外框间测量, 500VAC/Min(5MA Max. /Measured b/w lead wire(+)and frame at 500VAC/min)

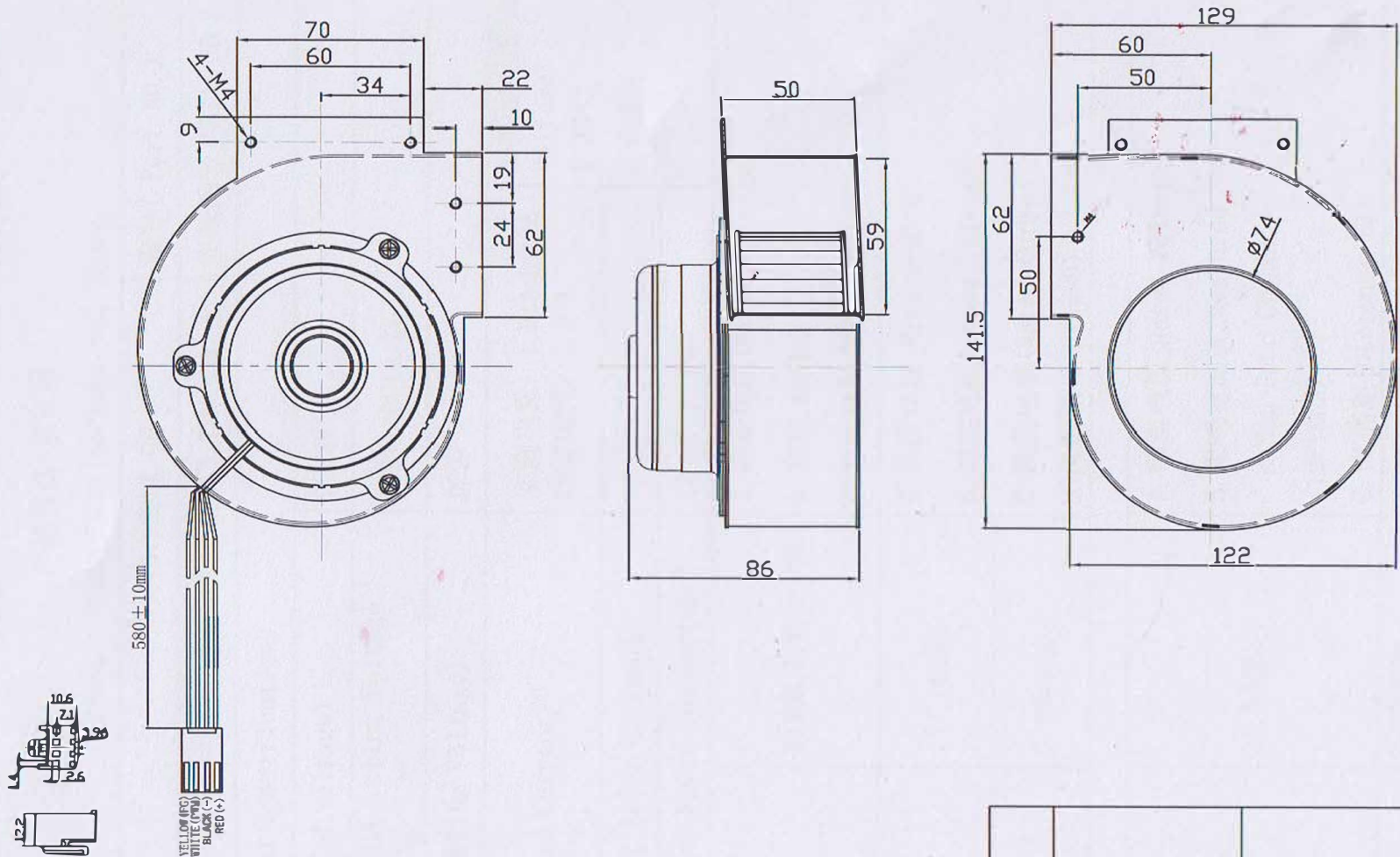
4. 环境测试(Environmental Specification)

4.1	工作温度范围 (Operating Temperature Range)	-10°C---70°C
4.2	贮存温度范围 (Sstrge Temperature Range)	-20°C---80°C
4.3	工作湿度范围 (Operating Humidity Range)	35%---80%

5. 其它功能 (Other Features)

5.1	自动起动 (Autostart)	<input type="checkbox"/> Yes (是) <input checked="" type="checkbox"/> No (否)
5.2	锁机报警 (Lock Rotor Alarm)	<input type="checkbox"/> Yes (是) <input checked="" type="checkbox"/> No (否)
5.3	转速信号 (FG)	<input checked="" type="checkbox"/> Yes (是) <input type="checkbox"/> No (否)
5.4	温度控制 (Thermal Control)	<input type="checkbox"/> Yes (是) <input checked="" type="checkbox"/> No (否)
5.5	IP 等级 (IP Grade)	<input type="checkbox"/> Dampproof (防潮) <input type="checkbox"/> Waterproof (防水) <input type="checkbox"/> IP
5.6	PWM 频率控制(PWM Control)	<input checked="" type="checkbox"/> 20KHz/0-5V <input type="checkbox"/> 电位器调速 (0-5V)
5.7	极性保护 (Polarity Protection)	<input type="checkbox"/> Yes (是) <input checked="" type="checkbox"/> No (否)

6. 外观尺寸图 (Outline Styling & Dimensions)



标签

TOYON Brushless Dc. Micro Motor
 Model: TD9240HB-K
 DC 12V 1.91A
 DONGGUAN XUHENG ELECTRONICS CO., LTD.
 TEL: 0769-23068082 FAX: 0769-23068086
 E-mail: sales@toyonfan.com
 http://www.dgxuheng.com

EDI	DATE (日期)	CHANGES (变更)

	LINEAR X ±0.1 .XX ±0.05	ANGULAR X. ±0.5 X.X ±0.1	PROJECTION:	UNIT MM
				PAGE 1/1
型号 (Model NO.)	TD924012HB-K-GP		编号 (Part No.)	YSD92713A
确认 (APPD)		审查 (CHECK)		绘制 (DRAWING) 潘小情 REV A0