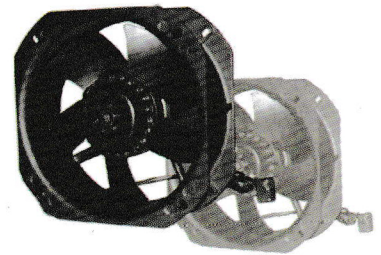


## 200FZY-S

该系列的风机装有滚珠轴承的内转子电机和塑料叶轮和铝外壳组成，具有体积小、风量大、重量轻，效率高、等特点。主要用于变频电机、伺服电机散热，电子设备，管道通风，电焊机，厂房通风换气，净化，电信等各种领域。此电机可以订做各种电压AC110V-690V及双电压，宽电压和单相变频50HZ，双变频50-60HZ。



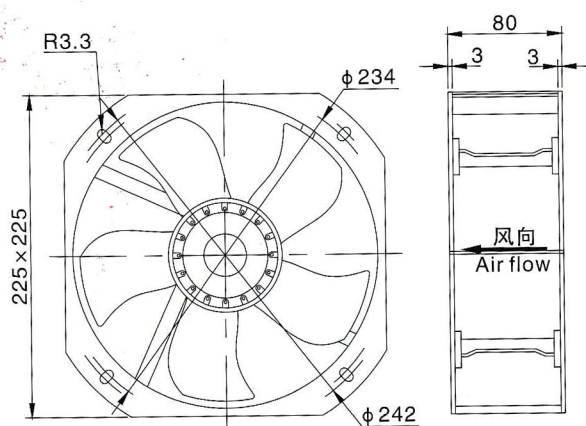
Fans of the series is equipped with ball bearings inside the motor rotor and plastic impeller and aluminum casing, has a small volume of air volume, light weight, high efficiency, and other characteristics. Mainly used in various fields of variable frequency motor, servo motor cooling, electronic equipment, ventilation pipes, welding machines, plant ventilation, purification, and telecommunications. This motor can be customized a variety of voltage and dual voltage AC110V-690V, single-phase wide voltage and frequency 50HZ, dual-frequency 50-60HZ.

### 性能参数: Performance parameters

型号 Type	电压 Voltage V	相数 Phase	频率 Fre- quency Hz	输入电流 Input Current A	输入功率 Input Power W	转速 Speed r/min	风量 Air Volume m <sup>3</sup> /min	噪声 Noise dB(A)	电容 Capacitor μF/V	重量 Weight kg	接 线图 Diagram	绝缘等级
200FZY1-S	110		50	0.40	40	1340	16	60	4/500	2.5	A	B
200FZY2-S	220	1	50	0.40	80	2600	17	65	2.2/500	2.2	A	B
200FZY3-S	380	3	50	0.10	40	1350	8.5	50	/	2.2	C	B
200FZY4-S	380	1	50	0.10	40	1350	8.5	50	0.47/630	2.2	B	B
200FZY5-S	110	1	50	0.80	80	2600	28	70	8/250	2.5	A	F
200FZY6-S	220	1	50	0.40	80	2600	17	65	2.2/500	2.2	A	F
200FZY7-S	380	3	50	0.20	80	2600	17	65	/	2.2	C	F
200FZY8-S	380	1	50	0.20	80	2600	17	65	1.5/630	2.2	B	F

### 外形及安装尺寸

#### Shape and the size of installation



### 风量静压曲线

#### Air volume and Static pressure curve

