

产 品 规 格 书  
Product specification

名 称 (NAME): 前倾式离心风机 Forward centrifugal fan  
型 号 (MODEL): DC92-F133-006 073-036-A-002  
客户代码 (CUSTOMER CODE): XXXX-XXX  
版本号 (VERSION NUMBER): A/0

编 制 (Prepared): 卢晨阳 2015.12.30  
校 对 (Checked): 吴化新 2015.12.30  
审 核 (Reviewed): 黄坤河 12.30  
批 准 (Approved): 尚毅 20151230

客户确认 (CUSTOMER'S APPROVAL): \_\_\_\_\_

日 期 (DATE): \_\_\_\_\_



1. 适用范围 SCOPE

本电动机规格书适用于3相直流无刷电动机的技术规定  
其中没有特别指明处均遵从中国国家强制性产品认证和CE认证，且满足欧盟ErP要求  
THIS SPECIFICATION IS SPECIFIED FOR 3-PHASE DC BRUSHLESS MOTOR.  
ITEMS EXCEPT HAVING INDICATED IN THE SPECIFICATION, ARE APPLIED TO CHINA COMPULSORY PRODUCT CERTIFICATION AND CE, AND TO MEET THE EU ErP REQUIREMENTS.

2. 规格 SPECIFICATIONS

| 项目 ITEM                               | 内容 SPECIFICATION  |   | 备注 DESCRIPTION  |
|---------------------------------------|---|---|---|
| 电气特性<br>ELECTRICAL<br>CHARACTERISTICS | 电压VOLTAGE   | DC24 [V]  | 范围: DC16V~DC32V<br>RANGE  |
|                                       | 转速SPEED   | 2000±10% [r/min]  |   |
|                                       | 功率POWER   | 45±16% [W]  |   |
|                                       | 电流 CURRENT  | 1.88±16% [A]  |   |
|                                       | 最大风量 AIR FLOW   | 276MAX. [m³/h]  |   |
|                                       | 噪音 NOISE  | 64±6 [dBA]  |   |
|                                       | 绝缘等级 INSULATION CLASS   | B 级 CLASS   |   |
|                                       | 控制方式 CONTROL INPUT  | 0-10V Vdc/PWM   | 见图一、二 SEE FIG. 1、2  |
|                                       | 保护方式 :<br>PROTECTED MODE  | 过温/过流/堵转保护<br>OVER-TEMPERATURE/OVER-CURRENT/LOCKED PROTECTED                                  |   |
|                                       | 转速信号 TACH OUTPUT  | 3 PULSE/R   | 占空比 DUTY 30%~70%  |
|                                       | 绝缘电阻<br>INSULATION RESISTANCE   | DC500V 100[MΩ]MIN   | 风机外壳与风机引线间测试<br>BETWEEN LEAD WIRES AND<br>FAN SURFACE   |
| 绝缘耐压<br>DIELECTRIC STRENGTH           | AC1200V 1S 3[mA]MAX   |   |   |
| 转速 SPEED<br>(r/min)                   | <p>MAX</p> <p>1V 2V 8.5V 9.5V</p> <p>起动点 最大 MAX.</p> <p>STARTING POINT</p> <p>Vsp电压[V]</p> <p>图一 FIG. 1</p> |   | <p>转速 SPEED FPWM=1kHz~10kHz<br/>(r/min)</p> <p>MAX</p> <p>10% 20% 85% 95%</p> <p>起动点 最大 MAX.</p> <p>STARTING POINT</p> <p>PWM DUTY</p> <p>图二 FIG. 2</p> |
|                                       | 外观 APPEARANCE   | 不能有影响商品质量的伤痕和污迹<br>THERE SHOULD NOT BE ANY DEFECTS AND DIRTY WHICH SPOIL GOODS VALUE          |   |
| 机械特性<br>MECHANICAL<br>SPECIFICATION   | 质量 MASS   | 约 APPROX 2.75[Kg]   |   |
|                                       | 电机引线引拔强度<br>LEAD WIRE PULLED<br>OUT STRENGTH  | 20 [N/根]以上 MIN.   |   |
|                                       | 寿命 LIFE   | 20000 [h] MIN 轴承温度70[°C]以下连续运转<br>THE BEARING TEMPERATURE LESS THAN 70[°C] CONTINUOUS RUNNING |   |

**3. 环境要求 ENVIRONMENTAL REQUIREMENT**

|  |                                  |               |                       |
|--|----------------------------------|---------------|-----------------------|
| 保存温度<br>STORAGE TEMPERATURE RANGE      | -25~60                           | [°C]          |                       |
| 使用·保存湿度<br>OPERATING, STORAGE HUMIDITY | 30~95                            | [%]RH         | 无结露<br>NON CONDENSING |
| 使用温度范围<br>OPERATING TEMPERATURE RANGE  | -20~60                           | [°C]          |                       |
|  | IC散热<br>HEAT SINK OF IC          | 115[°C]以下 MAX |                       |
|  | 其他电子部品<br>OTHER ELECTRONIC PARTS | 85[°C]以下 MAX  |                       |
|  | 轴承<br>BALL BEARING               | 80[°C]以下 MAX  |                       |
|  | 卷线<br>COIL                       | 120[°C]以下 MAX |                       |

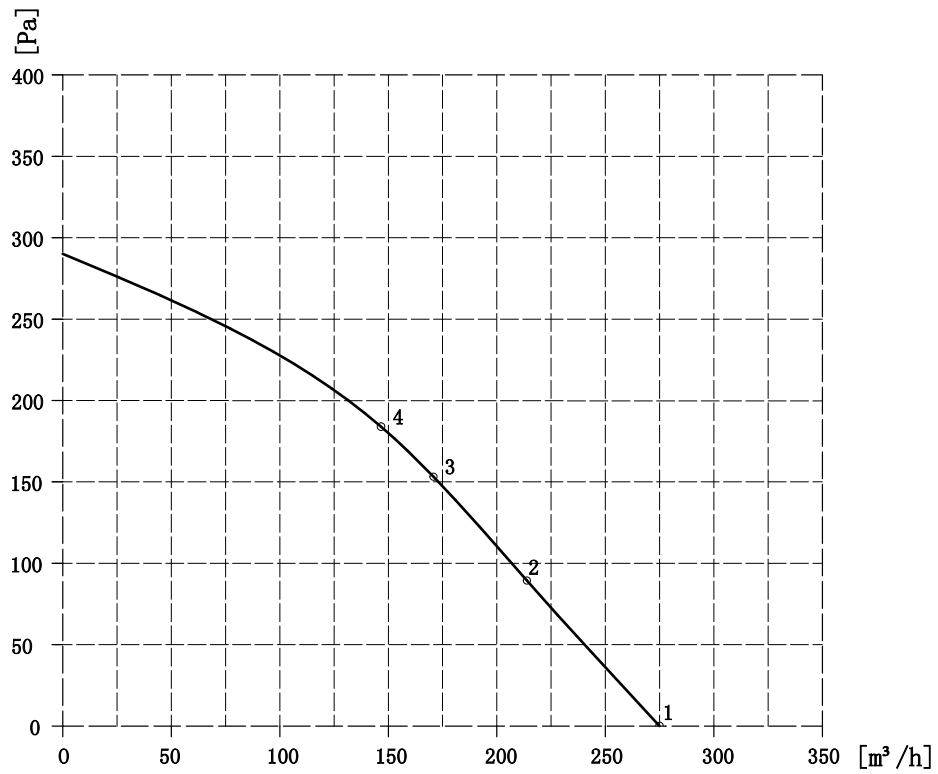
**4. 使用注意事项 NOTE IN USE**

|  |
|--|
| (1) 本电机内设有反接保护线路, 风机运转时, 不可以反接保护测试。<br>SINCE THIS MOTOR HAS REVERSE POLARITY PROTECTION CONNECTION, SEE PAGE 5/6. WHEN THE FAN IS STILL RUNNING, THE POWER OF POSITIVE AND NEGATIVE CAN NOT BE REVERESD. |
| (2) 上电顺序(DC24V→V <sub>sp</sub> ) ; 断电顺序(V <sub>sp</sub> →DC24V)<br>POWER UP SEQUENCE (DC24V→V <sub>sp</sub> ) POWER OFF SEQUENCE (V <sub>sp</sub> →DC24V)  |
| (3) 风机运转时不可插拔风机引线插头<br>WHEN FAN IS RUNNING NON-DETACHABLE BLOWER LEADS PLUG  |
| (4) 本风机通风冷却 使用时请考虑风机周边的通风条件<br>FAN CAN BE COOLED BY VENTILATION, PLEASE CONSIDER VENTILATED CONDITION AROUND THE FAN WHEN USING IT   |
| (5) 轴承部不可受到冲击<br>DO NOT ADD SHOCK TO THE BALL BEARING  |
| (6) 拿取风机时不可拎风机引线 引线过度受力时内部焊接部分可能脱落<br>DO NOT CARRY WITH LEAD WIRES WHEN HANDLE A FAN, IF ADD HUGE STRENGTH TO LEAD WIRES THAT THE SOLDERED PART IN FAN MAY BE SHED                                       |
| (7) 防止冲击电压破坏风机 电源线上请不要采用继电器或其它机械开关<br>DO NOT USE RELAY OR OTHER MECHANICAL SWITCH ON POWER SUPPLY LINE, BECAUSE IMPACT VOLTAGE MAY DAMAGE THE FAN  |
| (8) 按本规格书中的规格评价风机 若工作点规格需要变更 请与本公司联系<br>EVALUATE THE FAN REFER TO THIS SPECIFICATIONS. IF THE LOAD OR POWER SUPPLY VOLTAGE OF THE MOTOR SHOULD BE CHANGED, PLEASE CONTACT WITH US                        |

**5. 其它 OTHERS**

|   |
|---|
| (1) 本款风机的知识产权属于本公司 在本款风机的使用上不会发生专利问题 应用本风机形成有关产品或方法及新的技术方案造成专利侵权 本公司不予保证 请贵公司特别注意<br>THE INTELLECTUAL ASSET OF THE FAN IN THE FORM OF PATENT BELONGS TO OUR CORPORATION SO ANY PATENT PROBLEM WILL NOT BE CAUSED DURING THE ACTUAL APPLICATION. OUR CORPORATION WILL NOT BE RESPONSIBLE FOR ANY PATENT DISPUTE OR PROBLEM THAT CAUSED BY THE PRODUCT METHOD AND NEW TECHNIQUE PROJECT WHICH ARE DEVELOPED BY USING THIS FAN |
| (2) 贵公司保证未经本公司许可 不得将此技术规格书泄漏给其它任何第三方<br>IT SHOULD BE ASSURED THAT THIS SPECIFICATION CAN NOT BE REVEALED TO ANY THIRD PARTY WITHOUT THE CONSENT OF OUR CORPORATION  |
| (3) 本电机Pb Cr(VI+) Cd Hg PBB PBDE 6种物质的含有量满足RoHS指令(2002/95/EC)的要求<br>MATERIALS OF MOTOR CONTAIN SIX SUBSTANCES Pb Cr(VI+) Cd Hg PBB AND PBDE, THOSE CONTENTS COMPLY WITH THE RoHS INSTRUCTION  |

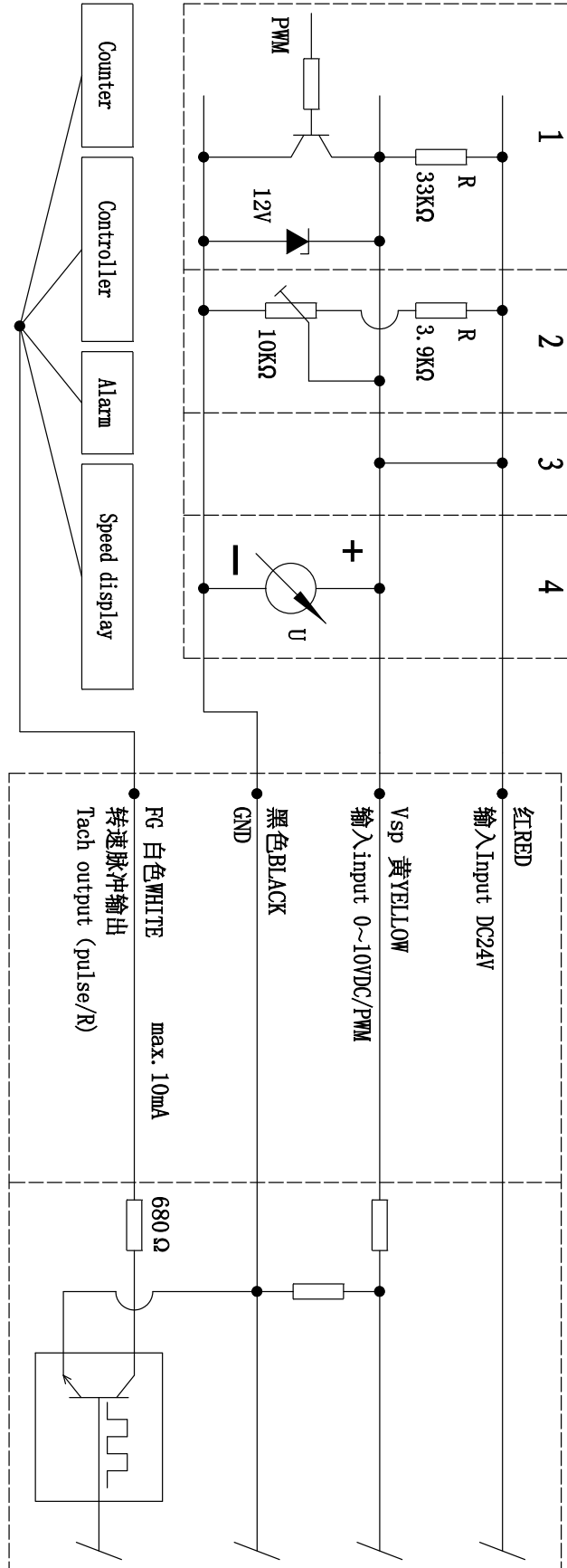
6. P-Q曲线图 P-Q CURVES



| 项目<br>ITEM | 电压<br>VOLTAGE | 转速<br>SPEED | 功率<br>POWER |
|------------|---------------|-------------|-------------|
| 单位<br>UNIT | [V]           | [r/min]     | [W]         |
| 1          | 24            | 1931        | 43          |
| 2          | 24            | 2048        | 39          |
| 3          | 24            | 2145        | 37          |
| 4          | 24            | 2193        | 36          |

7. 控制方式及应用

NOTES ON VARIOUS CONTROL POSSIBILITIES AND THEIR APPLICATIONS



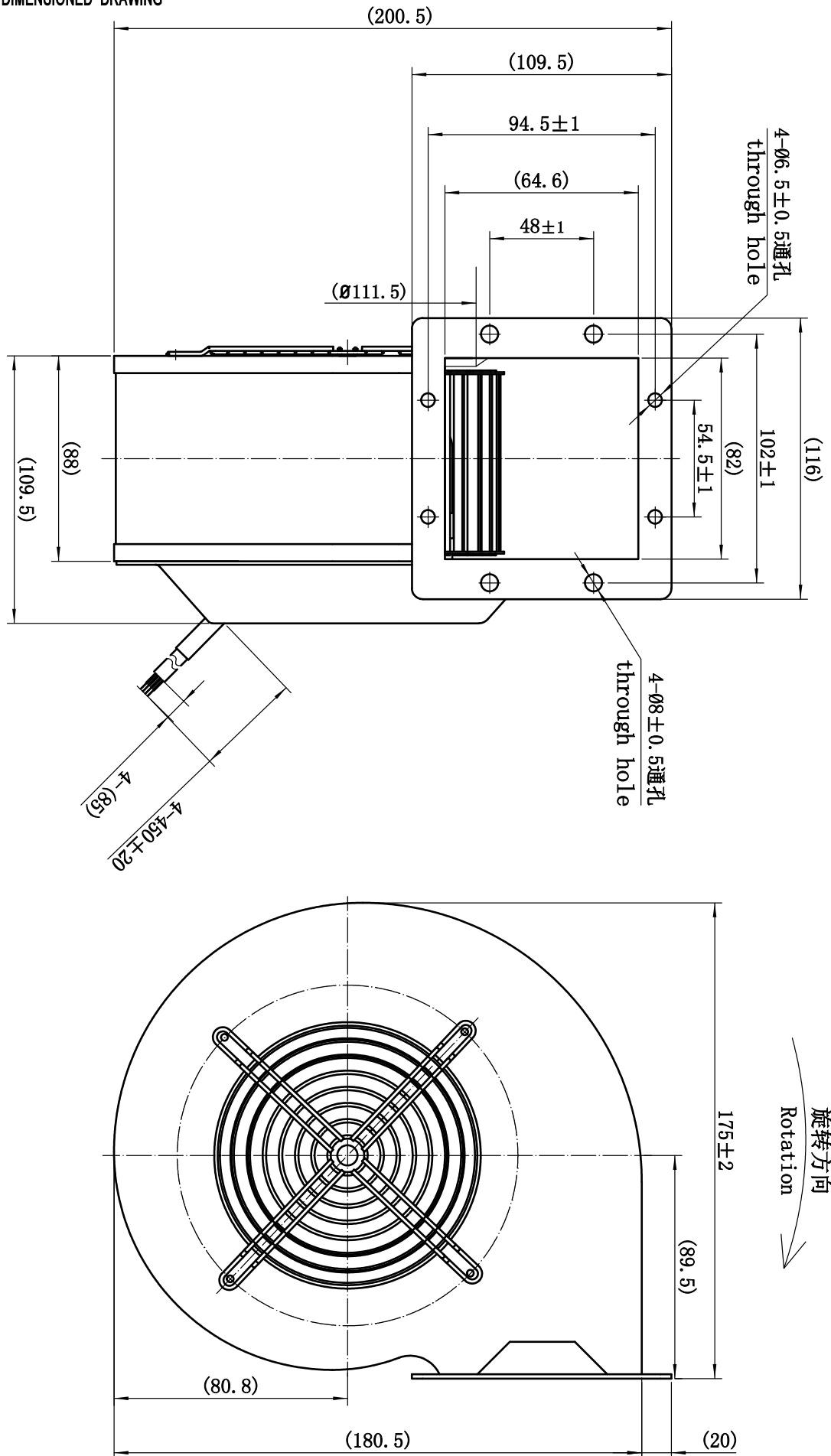
客户调速回路  
CUSTOMER SPEED CONTROL CIRCUIT

连接器  
CONNECTION

风扇  
FAN

1. PWM调速 1-10 kHz
2. 变阻调速 Variable Resistance
3. 最大转速 Max.
4. 电压调速 Voltage in 1-10V

8. 外形图/DIMENSIONED DRAWING



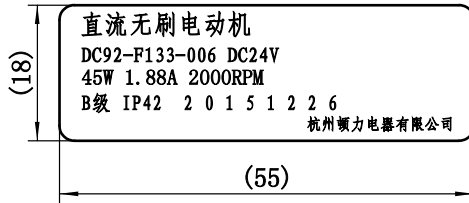
9. 引线式样 LEAD WIRES ASS'Y

| 信号名<br>SIGNAL | 颜色<br>COLOR | 规格<br>SPEC  |
|---------------|-------------|-------------|
| Vs            | 红 RED       | DC24V       |
| GND           | 黑 BLACK     | GND         |
| Vsp           | 黄 YELLOW    | 0-10VDC/PWM |
| FG            | 白 WHITE     | 3 Pulse/R   |

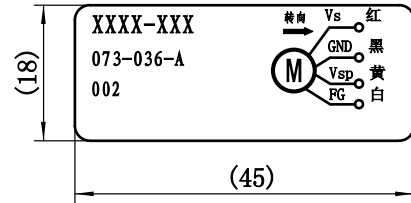
10. 铭牌 LABEL (选中请打勾 PLEASE TICK AT YOUR CHOISE)

中文 CHINESE

【铭牌一内容】

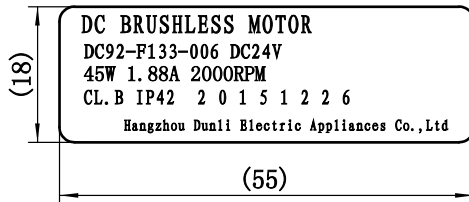


【铭牌二内容】



英文 ENGLISH

【LABEL ONE CONTENTS】



【LABEL TWO CONTENTS】

