

产 品 规 格 书
Product Specification

名 称 (Part Name): 前倾式离心风机 Forward centrifugal fan
型 号 (Model No.): F14692E-31W-B7T
顾客代码 (Customer Code): D000
版 次 (Version No.): A/1

编 制 (Prepared): 刘 贤 南 2017.11.22
校 对 (Checked): 姚 胜 杰 2017.11.22
审 核 (Reviewed): 王 中 书 2017.11.22
批 准 (Approved): 樊 德 武 2017.11.22

客户确认 (Customer's Approval): _____

日 期 (Date): _____

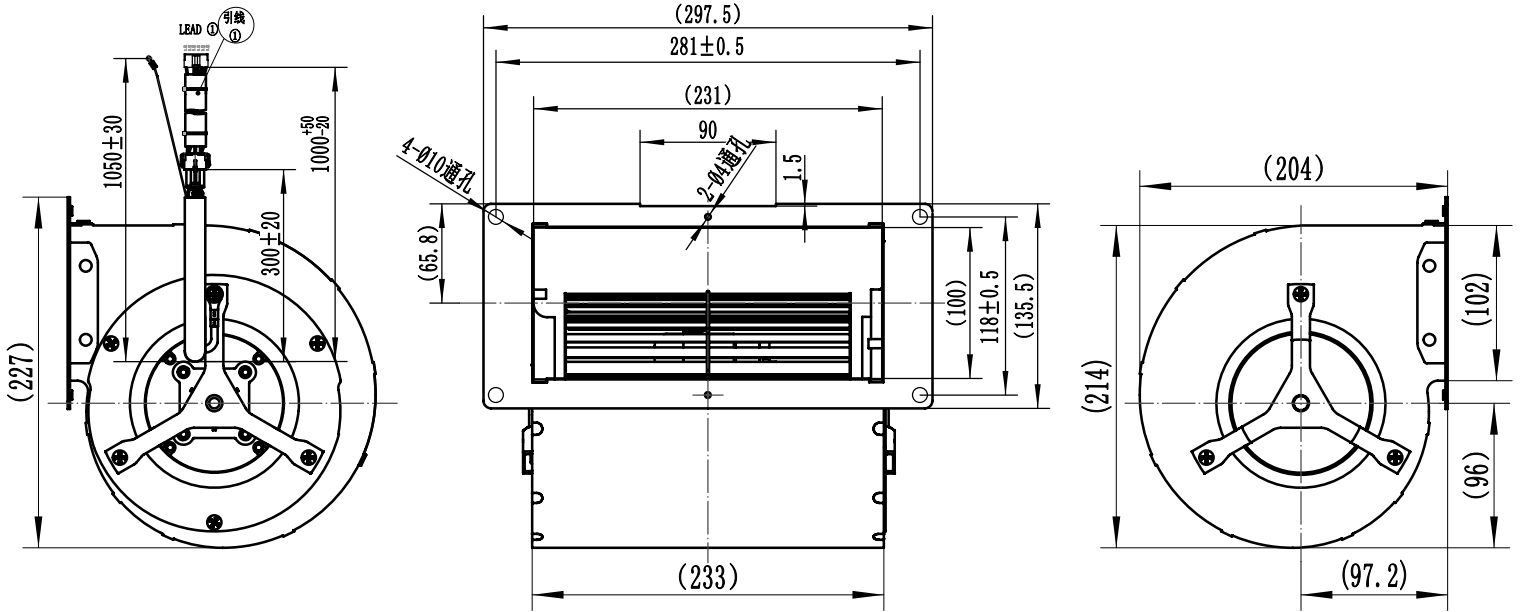
标称数据Nominal Data

风机型号Fan Model Number	F14692E-31W-B7T		
电动机型号Motor Model Number	/		
相数Phase Number	/	/	
运行电压Nominal Voltage	V.DC	310	
运行电压范围Nominal Voltage Range	V.DC	280~340	
频率Frequency	/	/	
转速Speed	r/min	1670	±10%
消耗功率Power Consumption	W	135	±10%
运行电流Current Draw	A	0.45	±10%
最低环境温度Min. Ambient Temperature	℃	-20	
最高环境温度Max. Ambient Temperature	℃	+60	

技术特性Technical Feature

重量Weight	4.19kg
转向Rotation Direction	顺时针, 转子端看Clockwise, viewed toward rotor
防护等级Level of protection	IP42
绝缘等级Insulation class	B
泄漏电流 Leakage current	According to GB 12350
噪声 Noise	≤75 dB (A)
不平衡量Unbalance	ISO1940-1 G6.3 Standard
引线引拔强度Lead Wire Pulled Strength	≥20N/根
相对湿度范围RH Range	5~90 % (要求环境无凝霜或结露 No Rime or Condensation with the Ambient.)
大气压强范围Atmospheric Pressure Range	86~106 kPa
最高环境温度Max. Ambient Temperature (运输/存储Tansport/Storage)	+65 ℃
最低环境温度Min. Ambient Temperature (运输/存储Tansport/Storage)	-25 ℃
工作模式Duty Type	S1
控制方式Control Methods	0-5 V.DC / PWM
输出功率Power Output	/
输出信号Tach Output	12 Pulse/R占空比30%~70%须在10V.DC端与TACH OUTPUT端之间连接10k上拉电阻DUTY 30% TO 70% IT NEEDS 10KΩ PULL-UP RESISTANCE BETWEEN +10V LINE AND TACH OUTPUT LINE
寿命 Life	≥40000 hr (环境温度40℃, 额定负载下)
保护模式Protection Function	过温/过流/堵转保护/欠电压/过电压/Over-temperature/Over-current/Locket-rotor Protection/Lack-voltage Protection/Over-voltage Protection
电磁兼容EMC	\
认证Approval	CE, CCC,

产品外形图 Product Drawing



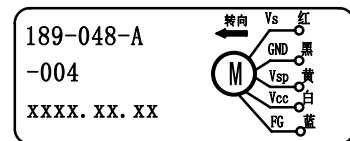
铭牌 LABEL (选中请打勾 PLEASE TICK AT YOUR CHOISE)

中文 CHINESE

【铭牌I LABEL I】



【铭牌II LABEL II】

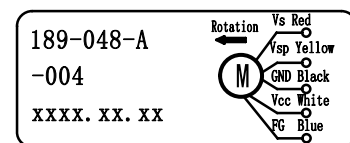


英文 ENGLISH

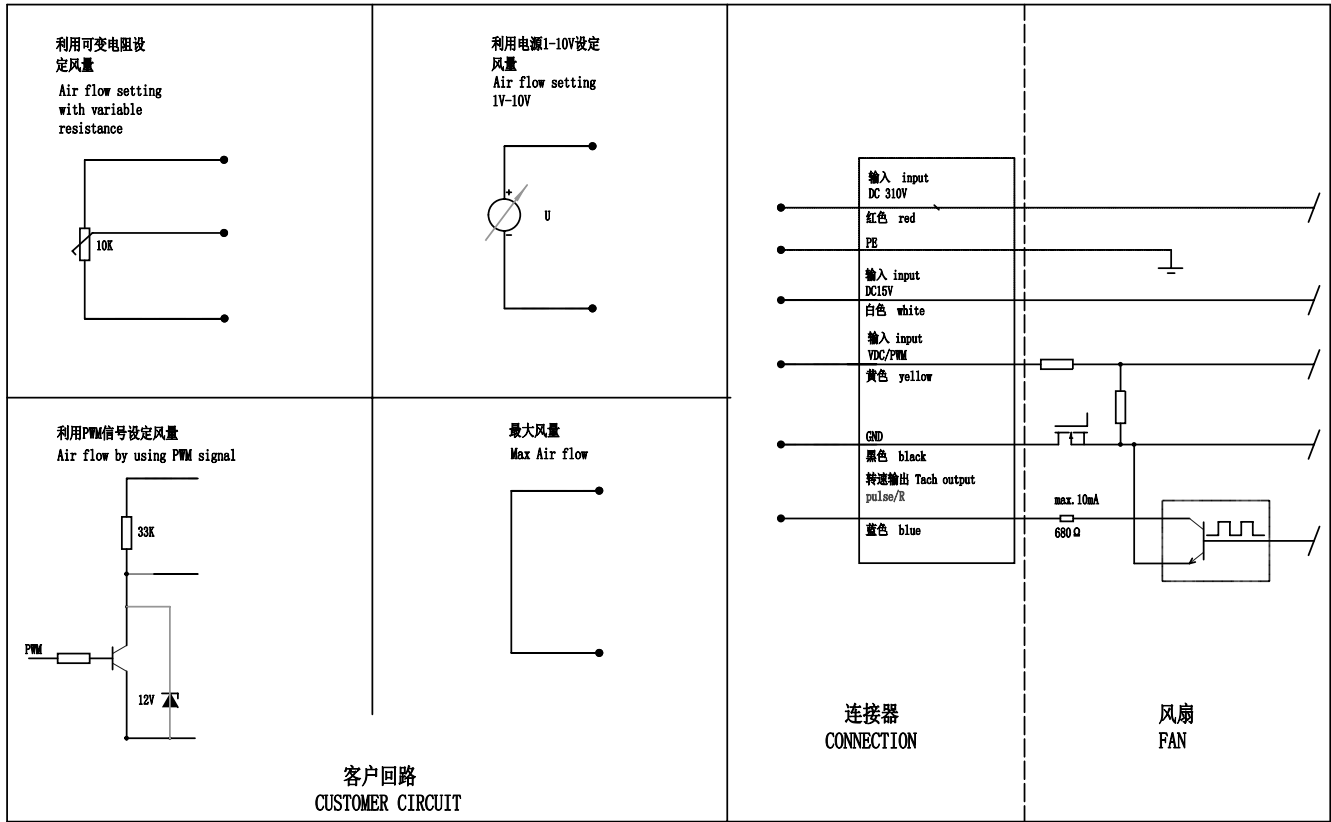
【铭牌I LABEL I】



【铭牌II LABEL II】



接线示意图 Connection Diagram



引线放大图:

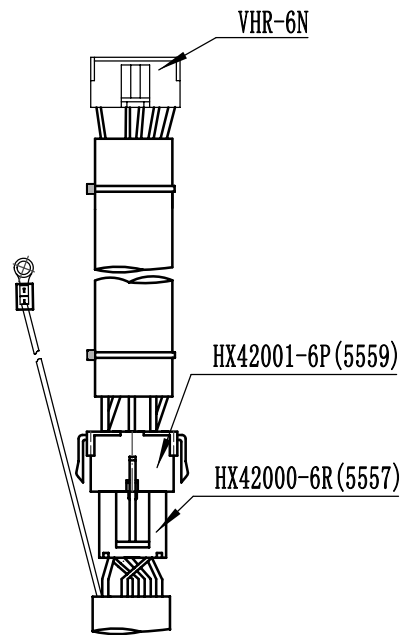
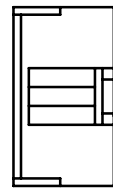
序号 No.	信号名 SIGNAL	颜色 COLOR	功能/备注 Function/Note
1	Vs	红 Red	DC310V
2	/	/	
3	GND	黑 BLACK	
4	Vcc	白 White	DC15V
5	Vsp	黄 YELLOW	转速调节0-5V / PWM
6	PG	蓝 Blue	12Pulse/R

【引线①式样】

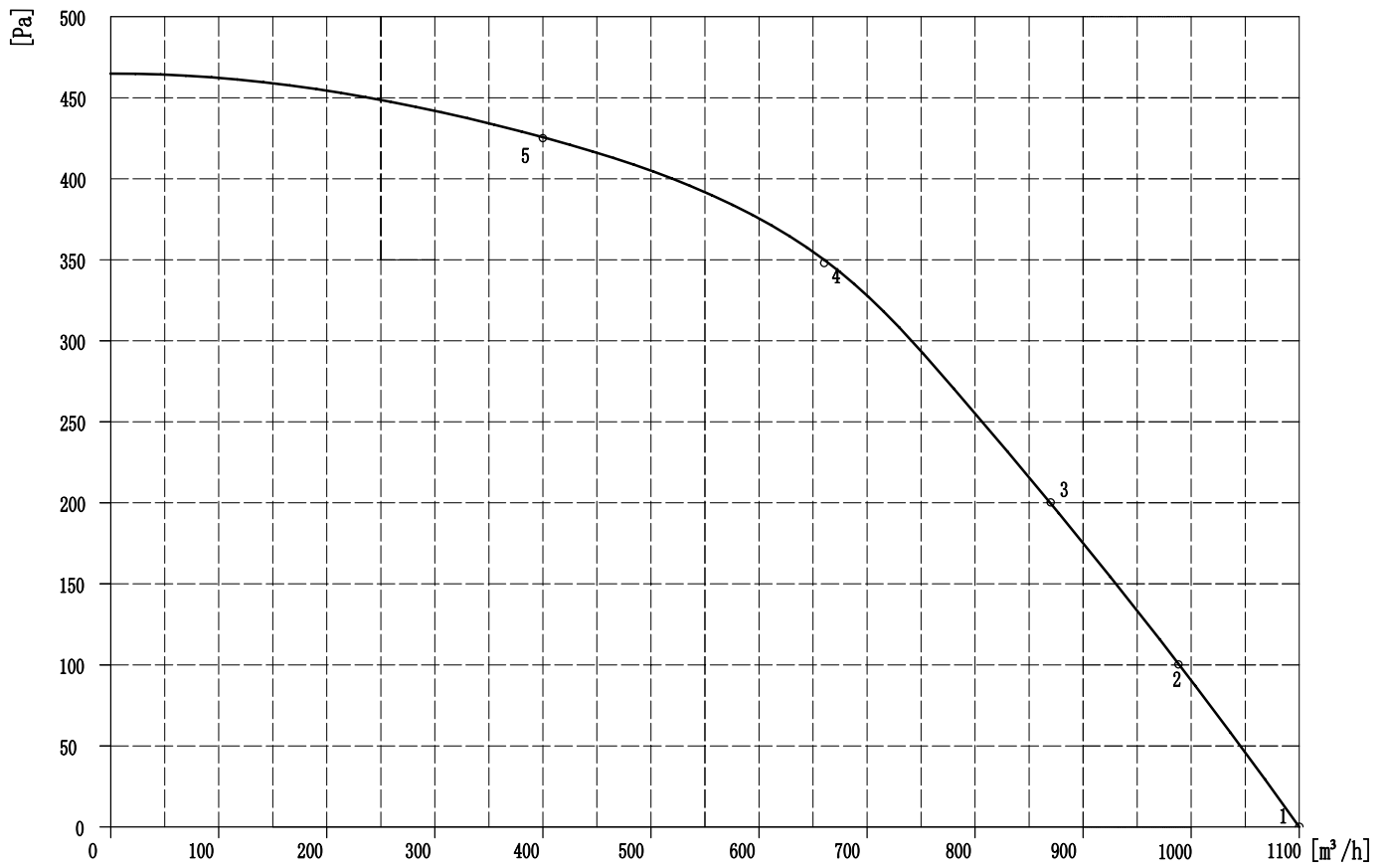
【LEAD WIRES ASS'Y ①】

端子型号: VHR-6N

6. 蓝
5. 黄
4. 白
3. 黑
2. 空
1. 红



风量曲线 Air Performance Curve



测试值 Measured Values

项目 ITEM	电压 VOLTAGE	转速 SPEED	功率 POWER	电流 CURRENT
单位 UNIT	[V]	[r/min]	[W]	[A]
1	310	1645	136	0.437
2	310	1831	138	0.444
3	310	1999	138	0.450
4	310	2364	144	0.461
5	310	2640	116	0.378

使用注意事项 ATTENTION IN USE

- (1) 本产品请按规格书连接线路
PLEASE DO CONNECTIONS ACCORDING TO THE WIRE DIAGRAM OF THIS PRODUCT SPECIFICATION.
- (2) 产品运转时请勿靠近旋转部件，并防止异物进入内部
PLEASE KEEP AWAY FROM ROTATING PARTS WHILE THE PRODUCT IS RUNNING, AND NO EXOTERIC MATTER GETTING INTO INSIDE OF THE PRODUCT.
- (3) 产品通电时请勿接触高压线路，防止触电
PLEASE DO NOT TOUCH ANY OF THE HIGH VOLTAGE LINE WHILE THE PRODUCT IS POWERED ON.
- (4) 启动时电流过大会损坏电机 请防止电流峰值超过1.5A，不超过5mS
TO PREVENT MOTOR DAMAGED BY OVER STARTING CURRENT, THE PEAK CURRENT CAN NOT EXCEED 1.5A, LESS THEN 5 mS
- (5) 通电顺序为先电源后调速信号，断电顺序为先调速信号后电源
PLEASE MAKE SURE TO POWER-ON THE POWER MOTOR BEFORE CONNECT THE SIGNAL WIRES,
AND TO DISCONNECT THE SIGNAL WIRES BEFORE POWER-OFF THE MOTOR.
- (6) 产品需要通风冷却，使用时请考虑周边通风条件，并防止烫伤
IN ORDER TO COOL DOWN THE MOTOR PART. PLEASE USE THIS PRODUCT UNDER A WELL-VENTILATED CONDITION AND BE WAARE OF AVOIDING BEING SCALDED DURING OPERATION.
- (7) 产品内部使用球轴承，避免转子受到冲击
THE BEARINGS USED ARE BALL BEARING, PLEASE PREVENT THE ROTOR FROM STRIKE AND IMPACT.
- (8) 移动产品时请勿拉扯线束，避免线路断裂或绝缘受损
IN ORDER TO AVOID THE CIRCUIT FROM BREAKDOWN AND/OR INSULATION FROM MAMAGE, PLEASE DO NOT PULL THE WIRE HARNESES WHILE MOVING THE PRODUCT.
- (9) 防止冲击电压破坏产品，请采用VSP信号控制风机启停，请勿在电源线上采用继电器或其它机械开关控制频繁启停
IN ORDER TO PREVENT THE PRODUCT FROM DAMAGE BY THE IMPACT VOLTAGE, PLEASE USE VSP CONTROL FAN START OR STOP, DO NOT USE RELAY OR OTHER MECHANICAL SWITCH ON THE POWER SUPPLY LINE TO CONTROL FAN START OR STOP FREQUENTLY.
- (10). 安装时确保风机转动无卡滞现象；风机启动时，观察风机转向是否与标识一致；
PLEASE CHECK TO MAKE SURE THERE' S NO CLAMPING STADNATION WITH THE FAN BEFORE INSTALLATION;
PLEASE CHECK THE ROTATION OF THE FAN TO THE MAKE SURE IT' S RUNNING THE CORRECT DIRECTION;
- (11). 要求用户风机设备可靠接地；
CUSTOMER FAN UNIT SHOULD CONNECT TO GROUND WLL;
- (12). 不适用于有明显破坏绝缘的气体或蒸汽的环境中；
CAN NOT BE USED FOR THESE PLACES WHERE HAVE CORROSIVE GAS OR STEAM EXSTING;
- (13) 按本规格书中的参数评价产品，若工作参数发生变更，请与本公司联系
PLEASE USE THIS PRODUCT UNDER THE CONDITIONS SPECIFIED ON THIS SPECIFICATION. AND PLEASE CONTACT WITH US IF YOUR APPLICATION IS NOT IN THE APPLIED CONDITIONS.

其它 OTHERS

- (1) 本产品的知识产权属于本公司 在本产品的使用上不会发生专利问题 应用本产品形成有关产品或方法及新的技术方案造成专利侵权 本公司不予保证 请贵公司特别注意
WE HAVE INTELLECTUAL RIGHTS ON THIS PRODUCT. WE ARE NOT RESPONSIBLE FOR ANY TORTA/PATENT DISPUTES CAUSED BY USING THIS PRODUCT ON OTHER PRODUCTS/TECHNICAL SOLUTIONS.
- (2) 贵公司保证未经本公司许可 不得将此技术规格书泄漏给其它任何第三方
IT SHOULD BE ASSURED THAT THIS SPECIFICATION CAN NOT BE REVEALED TO ANY THIRD PARTY WITHOUT THE CONSENT OF OUR CORPORATION