

产品规格/承认书

Product Specification/Approval Sheet

型号 (Model NO.)		TD1002548MB-PB-GP	编号 (Part NO.)	
安规 (Safety Approvals)		<input type="checkbox"/> UL <input type="checkbox"/> CE <input type="checkbox"/> TUV <input checked="" type="checkbox"/> 无	安规编号 (File NO.)	
1. 一般规格 (General Specification)				
1.1	额定电压 (Rated Voltage)	DC48V		
1.2	工作电压范围 (Operating Voltage Range)	DC20V~DC52.8V		
1.3	起动电压 (Starting Voltage)	DC20V		
1.4	额定电流 (Rated Current)	实测电流: 0.30A ± 0.04A 标签电流: 0.30A	A. 额定电压 (Rated Voltage) B. 25°C C. 65%RH	
1.5	锁机电流 (Lock Rotor Current)	0A		
1.6	额定功率 (Rated Power Consumption)	14.4W ± 1.92W		
1.7	转速 (Speed)	4600R. P. M. ± 10%	A. 额定电压 (Rated Voltage) B. 25°C, 65%RH C. 自由空气 (Free Air)	
1.8	风量 (Air Flow)	44.93CFM	A. 风压 (Air Pressure)=0 B. 额定电压 (Rated Voltage)	
1.9	风压 (Static Pressure)	41.04mmH ₂ O	C. 额定电流 (Rated Current) D. 风量 (Air Flow=0)	
1.10	噪音 (Noise)	43.2dB (A)	A. 额定电压 (Rated Voltage) B. 无响室测试 (Measured in a Non-Echo Chamber) (18+1dbA) C. 1M 间距 (Distance 1M)	
1.11	寿命 (Life Expentancy)	<input type="checkbox"/> 30000h <input type="checkbox"/> 40000h <input checked="" type="checkbox"/> 50000h	A. 额定电压 (Rated Voltage) B. 30°C	
1.12	运转方向 (Rotaing Direction)	<input type="checkbox"/> 逆时针 (扇叶面方向) <input checked="" type="checkbox"/> 顺时针 (扇叶面方向)		

三河市科丰电气有限公司

Date(日期):

2016/12/17

Revised(版本):

A0

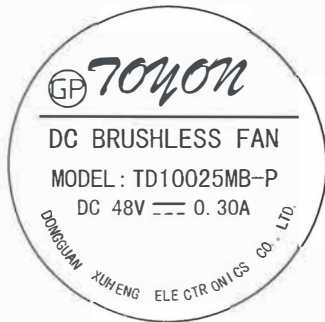
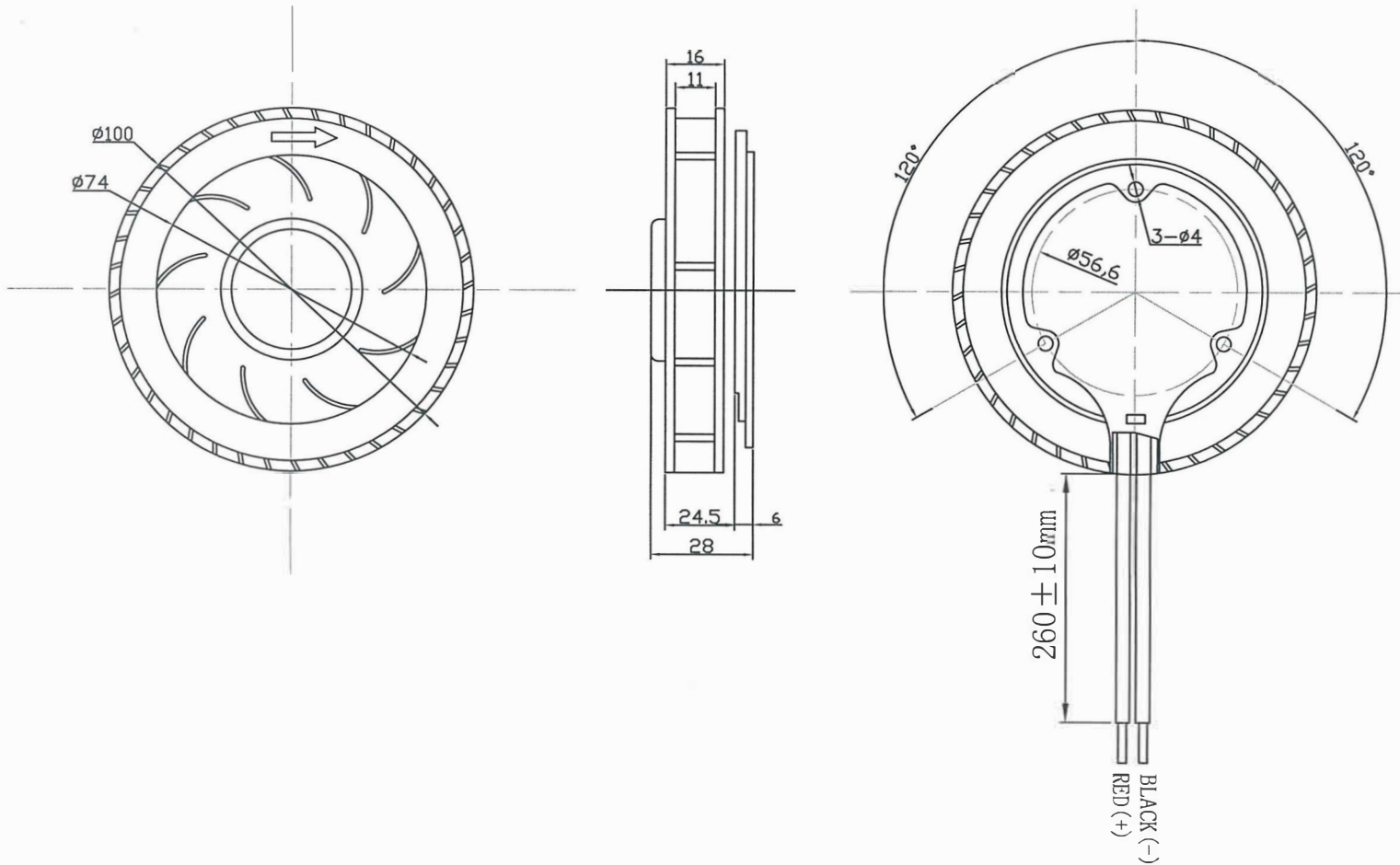
2. 主要材料/零件规格(Main Materials /Parts Specification) <input checked="" type="checkbox"/> RoHS (环保) <input type="checkbox"/> Not RoHS (非环保)		
2.1	塑胶材料/扇叶、外框、绝缘套 (Plastic Material/Blade、Housing、 Bobbin)	外框 (铝) 扇叶 (塑胶)
		<input checked="" type="checkbox"/> Black (黑色) <input type="checkbox"/> White (白色) <input type="checkbox"/> Transparent (透明)
2.2	轴承(Bearing)	滚珠轴承 (Two Ball Bearing)
2.3	导线(Lead wire)	Red(+), BBlack(-), :UL1007/24AWG
2.4	端子胶壳 CONN. Housing	无端

3. 电气规格(Electrical Specefication)		
3.1	绝缘阻抗 (Insulation Resistance)	10MΩ /导线与外框间测量, 500VDC/Min(10MΩ /b/w/unshieldedwire and frame at 500VDC/min)
3.2	绝缘耐压 Dielectric Strength)	5MA Max. /导线与外框间测量, 500VAC/Min(5MA Max. /Measured b/w lead wire(+)and frame at 500VAC/min)

4. 环境测试(Environmental Specification)		
4.1	工作温度范围 (Operating Temperature Range)	-10℃---70℃
4.2	贮存温度范围 (Storge Temperature Range)	-20℃---80℃
4.3	工作湿度范围 (Operating Humidity Range)	35%---80%

5. 其它功能 (Other Features)		
5.1	自动起动 (Autostart)	<input checked="" type="checkbox"/> Yes (是) <input type="checkbox"/> No (否)
5.2	锁机报警 (Lock Rotor Alarm)	<input type="checkbox"/> RD (高) <input type="checkbox"/> RD (低)
5.3	转速信号 (FG)	<input type="checkbox"/> Yes (是) <input checked="" type="checkbox"/> No (否)
5.4	温度控制 (Thermal Control)	<input type="checkbox"/> Yes (是) <input checked="" type="checkbox"/> No (否)
5.5	IP 等级 (IP Grade)	<input type="checkbox"/> Dampproof (防潮) <input type="checkbox"/> Waterproof (防水) <input type="checkbox"/> IP_04__
5.6	速度控制 (Speed Control)	<input type="checkbox"/> PWM 10KHz (0-10V) <input type="checkbox"/> 电位器调速
5.7	极性保护 (Polarity Protection)	<input checked="" type="checkbox"/> Yes (是) <input type="checkbox"/> No (否)
5.8	软启动 (Soft start)	<input type="checkbox"/> Yes (是) <input checked="" type="checkbox"/> No (否)

6. 外观尺寸图 (Outline Styling & Dimensions)



EDI	DATE (日期)	CHANGES (变更)

三河市科丰电气有限公司	INEAR ± 0.1	ANGULAR X. ± 0.5	PROJECTION:	UNIT: MM
	型号 (Model No.) TD1002548MB-PB-GP	编号 (Part No.) YSD92007A	PAGE 1/1	
确认 (APPD)	审查 (CHECK)	绘制 (DRAWING) 黄小红	REV A0	