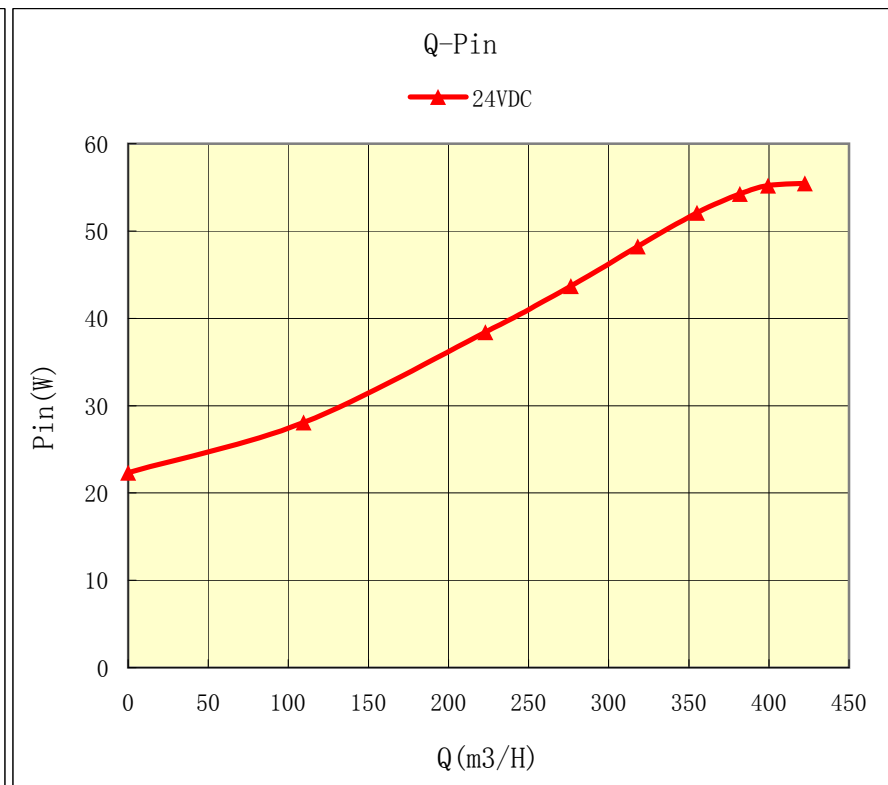
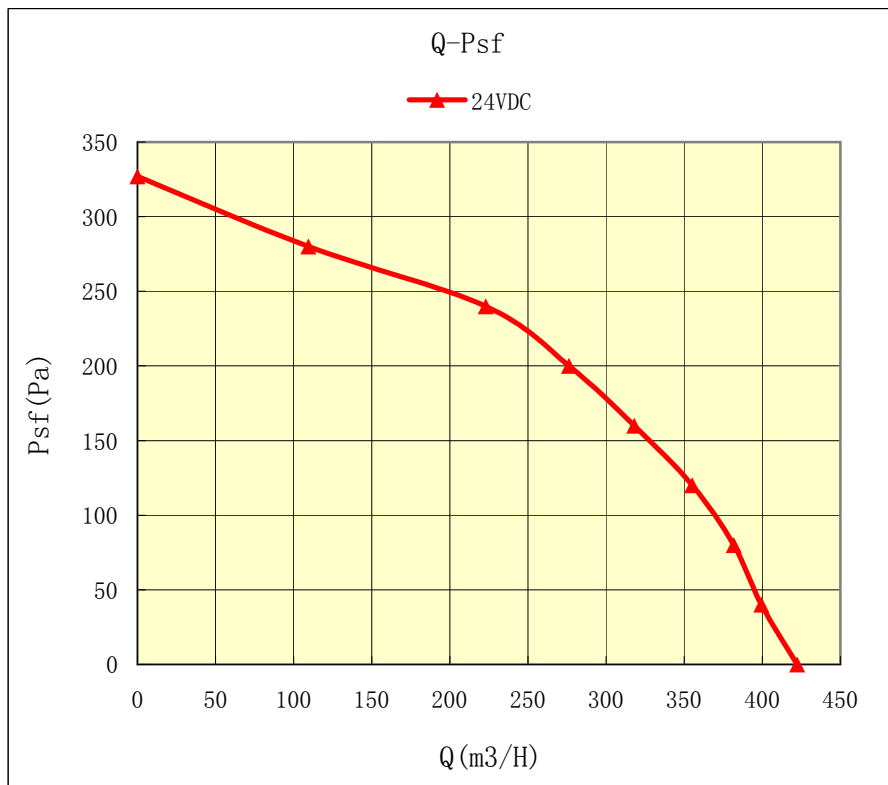


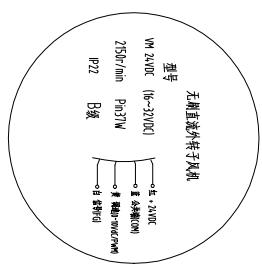
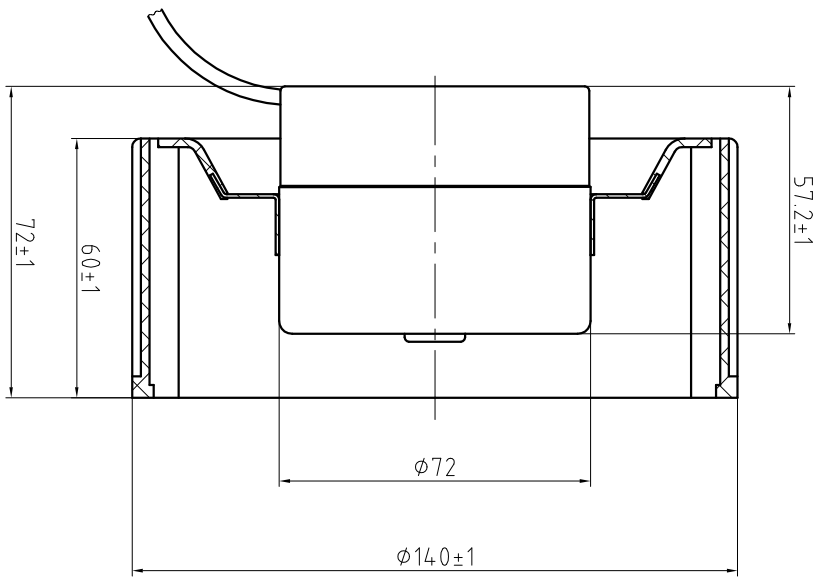
北京三鼎中天科技有限公司实验室测试数据

测试风机型号 G14072E-05W-B7T

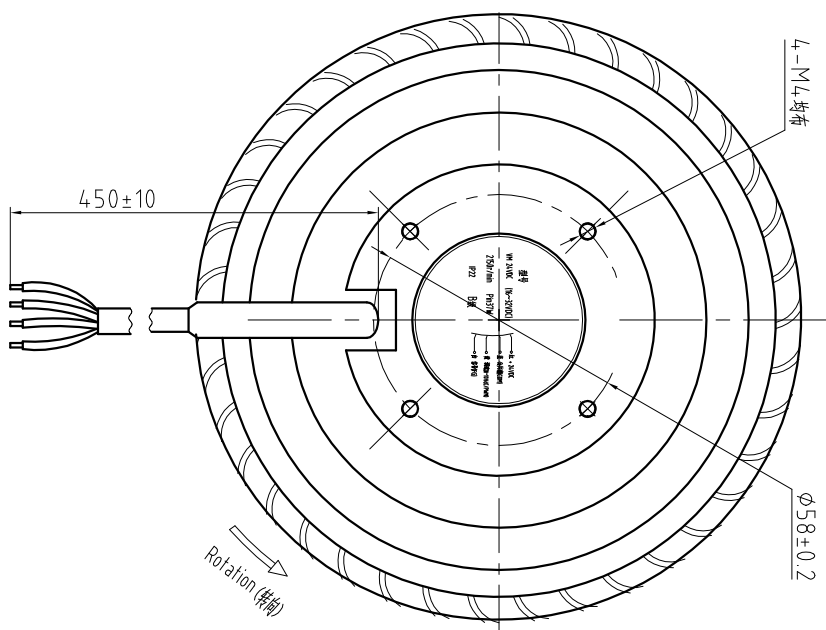
日期: 2015.3.23

U	VDC	24	24	24	24	24	24	24	24	24
I	A	2.31	2.3	2.26	2.17	2.01	1.82	1.6	1.17	0.93
Pin	W	55.44	55.2	54.24	52.08	48.24	43.68	38.4	28.08	22.32
n	rpm	1624	1687	1784	1828	1895	1928	2089	2301	2423
P _{sf}	Pa	0	40	80	120	160	200	240	280	327
Q	m ³ /H	422.4	399.4	381.8	355.1	318.1	276.3	223	109.5	0
η	%	0	8.04	15.64	22.73	29.31	35.14	38.72	30.33	0.00





风机铭牌



Specification (供参数据)

1. BLDC Centrifugal fan type (直流无刷离心风机型号):
2. Motor type (电机型号): ZMW72C-1-H17-1
3. Impeller type (叶轮型号): φ140/060B
4. Impeller material (叶轮材料): PP
5. Duty (工作制): Continuous (连续)
6. Rated voltage (额定电压): 24VDC
7. Rotation (转向): CW (Viewed from rotor) (从转子方向顺转)
8. Bearing (轴承): ball bearing (球轴承)
9. Dielectric strength (绝缘强度): 500VAC 1min 5mA
10. Tach Pulse Output FG Out (脉冲输出): 2 Pulse/rev
11. Operating temperature (工作温度): -25℃~+60℃
12. Storage temperature (储存温度): -30℃~+70℃
13. Type of protection (保护等级): IP22
14. Insulation class (绝缘等级): B
15. Totally electronic protection: Yes
16. Balancing accuracy (平衡等级): G6.3

MOTOR CONNECTION CHART (电机接线图)		GUAGE (规格)	
NO	FUNCTION (功能)	AWG22	UL2464
1	RED (φ): 24VDC	AWG22	UL2464
2	BLU (φ): GND		
3	WHI (φ): TACH PULSE OUTPUT	AWG22	UL2464
4	YLV (φ): 0~10VDC/PPM		

Type (型号)	Voltage range (电压范围) VDC	Rated Voltage (额定电压) VDC	Speed (转速) r/min	Power input (输入功率) W	Current (电流) A
	16~32	24	2150	37	1.55

风机全级开全速性能:

Design (设计)	Number of locations (处数)	Division (分区)	Revision (更改文件号)	Signature (签名)	Date (年月日)	Phase Marking (阶段标记)		Quality (质量)	Ratio (比例)
						A			
设计			标准化						1:1
审核									
工艺			批准						