

产 品 规 格 书

Product specification

名 称 (NAME): 后倾式离心风机 Backward curved centrifugal fan

型 号 (MODEL): R17572N-05W-B21

客户代码 (CUSTOMER CODE): D000

版本号 (VERSION NUMBER): A/0

编 制 (Prepared):

校 对 (Checked):

审 核 (Reviewed):

批 准 (Approved):

客户确认 (CUSTOMER'S APPROVAL):

日 期 (DATE):

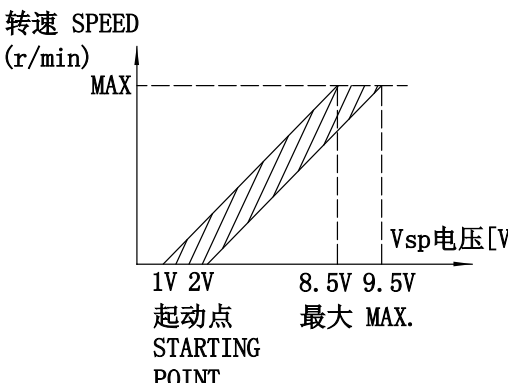
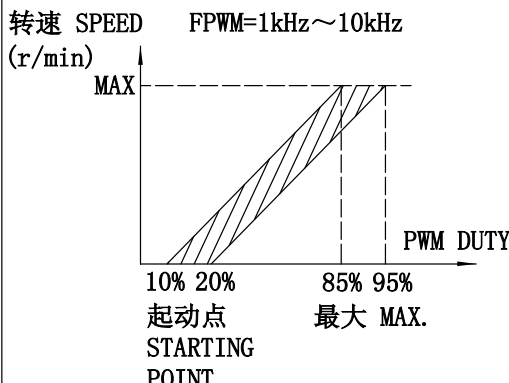
换版记录 Description of Revision

版本号 Version No.	换版原因 Notes & Remarks	换版内容 reason content	修订人 Revised by	日期 Date
A/0	/	/	/	

1. 适用范围 SCOPE

本电动机规格书适用于3相直流无刷电动机的技术规定
 其中没有特别指明处均遵从中国国家强制性产品认证和CE认证，且满足欧盟ErP要求
 THIS SPECIFICATION IS SPECIFIED FOR 3-PHASE DC BRUSHLESS MOTOR.
 ITEMS EXCEPT HAVING INDICATED IN THE SPECIFICATION, ARE APPLIED TO CHINA COMPULSORY PRODUCT
 CERTIFICATION AND CE, AND TO MEET THE EU ErP REQUIREMENTS.

2. 规格 SPECIFICATIONS

项目 ITEM	内容 SPECIFICATION		备注 DESCRIPTION
电气特性 ELECTRICAL CHARACTERISTICS	电压VOLTAGE	DC24 [V]	范围: DC16V~DC28V RANGE
	转速SPEED	3100±10% [r/min]	
	功率POWER	34±16% [W]	
	电流 CURRENT	1.6±16% [A]	
	最大风量 AIR FLOW	571 MAX. [m ³ /h]	
	噪音 NOISE	65±6 [dBA]	
	绝缘等级 INSULATION CLASS	B 级 CLASS	
	控制方式 CONTROL INPUT	0-10V Vdc/PWM, ETC.	见图一、二 SEE FIG. 1、2
	保护方式 : PROTECTED MODE	过温/过流/堵转保护 OVER-TEMPERATURE/OVER-CURRENT/LOCKED PROTECTED	
	转速信号 TACH OUTPUT	4 PULSE/R	占空比 DUTY 30%~70%
	绝缘电阻 INSULATION RESISTANCE	DC500V 100[MΩ]MIN	风机外壳与风机引线间测试 BETWEEN LEAD WIRES AND FAN SURFACE
绝缘耐压 DIELECTRIC STRENGTH	AC1200V 1S 3[mA]MAX		
转速 SPEED (r/min)	 <p>图一 FIG. 1</p>		转速 SPEED FPWM=1kHz~10kHz (r/min)  <p>图二 FIG. 2</p>
	外观 APPEARANCE 不能有影响商品质量的伤痕和污迹 THERE SHOULD NOT BE ANY DEFECTS AND DIRTY WHICH SPOIL GOODS VALUE		
机械特性 MECHANICAL SPECIFICATION	质量 MASS	约 APPROX 1.1[Kg]	
	电机引线引拔强度 LEAD WIRE PULLED OUT STRENGTH	20 [N/根]以上 MIN.	
	寿命 LIFE	20000 [h] MIN (轴承温度70℃以下连续运转)	

3. 环境要求 ENVIRONMENTAL REQUIREMENT

保存温度 STORAGE TEMPERATURE RANGE	-25~60	[°C]	无结露 NON CONDENSING
使用·保存湿度 OPERATING, STORAGE HUMIDITY	30~95	[%]RH	
使用温度范围 OPERATING TEMPERATURE RANGE	-20~60	[°C]	
	IC散热 HEAT SINK OF IC	115[°C]以下	MAX
	其他电子部品 OTHER ELECTRONIC PARTS	85[°C]以下	MAX
	轴承 BALL BEARING	80[°C]以下	MAX
	卷线 COIL	120[°C]以下	MAX

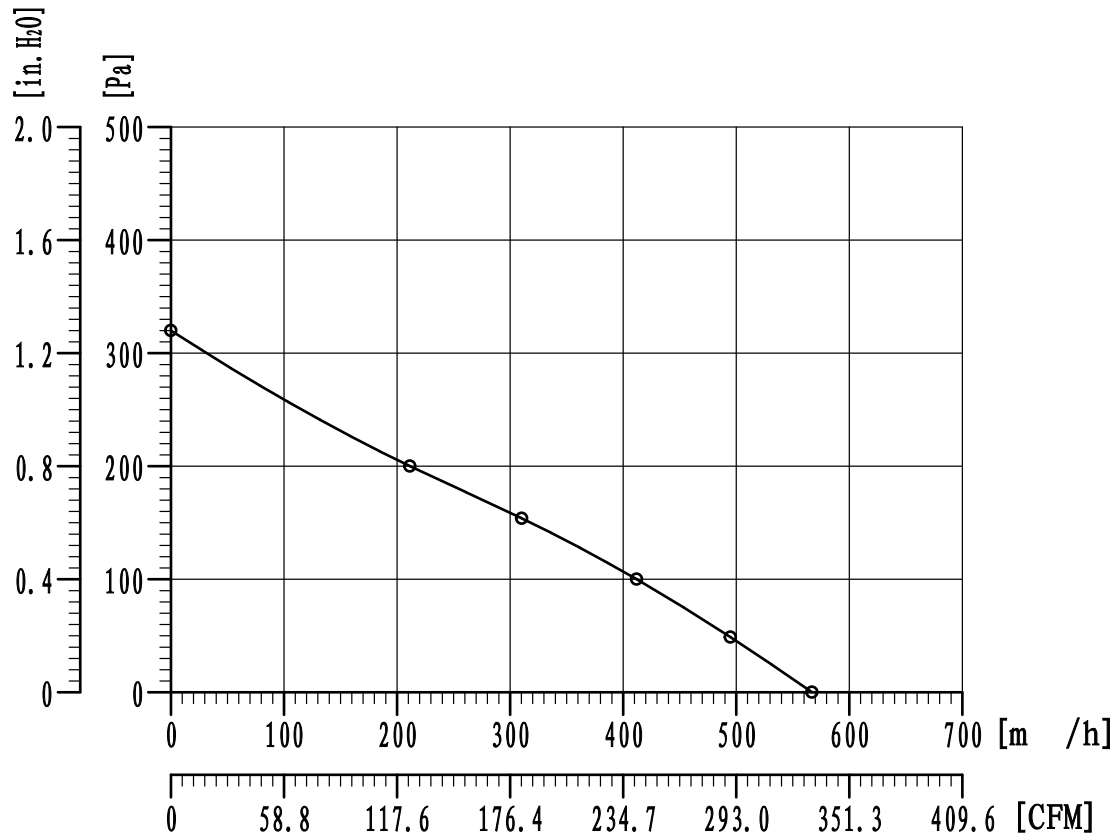
4. 使用注意事项 NOTE IN USE

(1) 本电机内设有反接保护线路, 见页5/6, 风机运转时, 不可以反接保护测试。 SINCE THIS MOTOR HAS REVERSE POLARITY PROTECTION CONNECTION, SEE PAGE 5/6. WHEN THE FAN IS STILL RUNNING, THE POWER OF POSITIVE AND NEGATIVE CAN NOT BE REVERESD.
(2) 风机运转时不可插拔风机引线插头 PLEASE DO NOT PERFORM EXTRACTION AND INSERTION OF THE CONNECTOR UNDER REVOLUTION IRRESPECTIVE OF POWER ON AND POWER OFF
(3) 本风机通风冷却 使用时请考虑风机周边的通风条件 FAN CAN BE COOLED BY VENTILATION, PLEASE CONSIDER VENTILATED CONDITION AROUND THE FAN WHEN USING IT
(4) 轴承部不可受到冲击 DO NOT ADD SHOCK TO THE BALL BEARING
(5) 拿取风机时不可拎风机引线 引线过度受力时内部焊接部分可能脱落 DO NOT CARRY WITH LEAD WIRES WHEN HANDLE A FAN, IF ADD HUGE STRENGTH TO LEAD WIRES THAT THE SOLDERED PART IN FAN MAY BE SHED
(6) 防止冲击电压破坏风机 电源线上请不要采用继电器或其它机械开关 DO NOT USE RELAY OR OTHER MECHANICAL SWITCH ON POWER SUPPLY LINE, BECAUSE IMPACT VOLTAGE MAY DAMAGE THE FAN
(7) 按本规格书中的规格评价风机 若工作点规格需要变更 请与本公司联系 EVALUATE THE FAN REFER TO THIS SPECIFICATIONS. IF THE LOAD OR POWER SUPPLY VOLTAGE OF THE MOTOR SHOULD BE CHANGED, PLEASE CONTACT WITH US

5. 其它 OTHERS

(1) 本款风机的知识产权属于本公司 在本款风机的使用上不会发生专利问题 应用本风机形成有关产品或方法及新的技术方案造成专利侵权 本公司不予保证 请贵公司特别注意 THE INTELLECTUAL ASSET OF THE FAN IN THE FORM OF PATENT BELONGS TO OUR CORPORATION SO ANY PATENT PROBLEM WILL NOT BE CAUSED DURING THE ACTUAL APPLICATION. OUR CORPORATION WILL NOT BE RESPONSIBLE FOR ANY PATENT DISPUTE OR PROBLEM THAT CAUSED BY THE PRODUCT METHOD AND NEW TECHNIQUE PROJECT WHICH ARE DEVELOPED BY USING THIS FAN
(2) 贵公司保证未经本公司许可 不得将此技术规格书泄漏给其它任何第三方 IT SHOULD BE ASSURED THAT THIS SPECIFICATION CAN NOT BE REVEALED TO ANY THIRD PARTY WITHOUT THE CONSENT OF OUR CORPORATION
(3) 本电机Pb Cr(VI+) Cd Hg PBB PBDE 6种物质的含有量满足RoHS指令(2002/95/EC)的要求 MATERIALS OF MOTOR CONTAIN SIX SUBSTANCES Pb Cr(VI+) Cd Hg PBB AND PBDE, THOSE CONTENTS COMPLY WITH THE RoHS INSTRUCTION

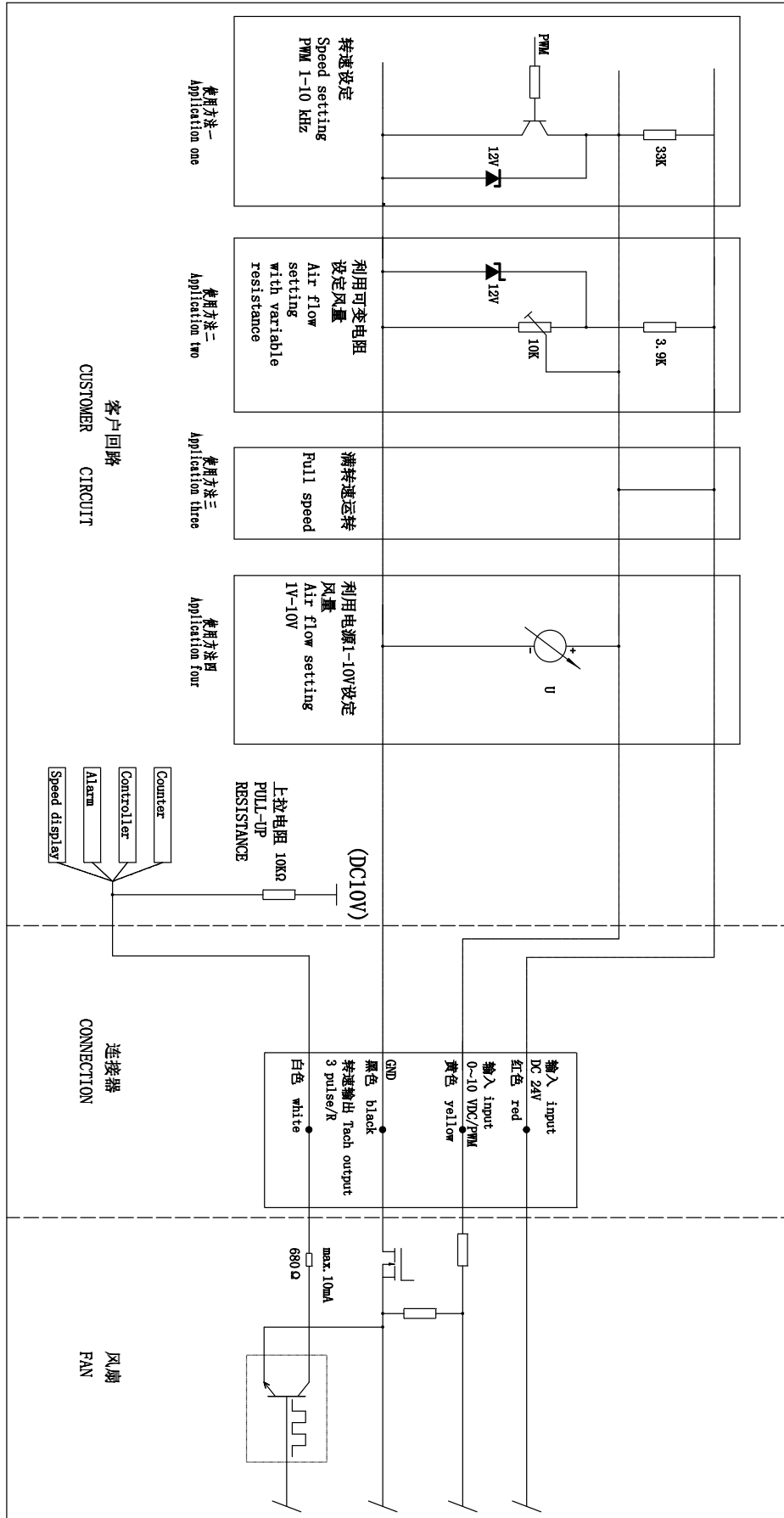
6. P-Q曲线图 P-Q CURVES



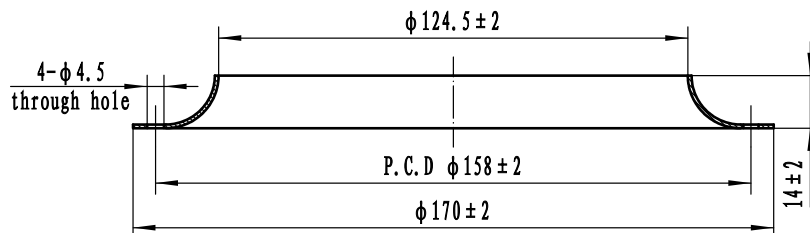
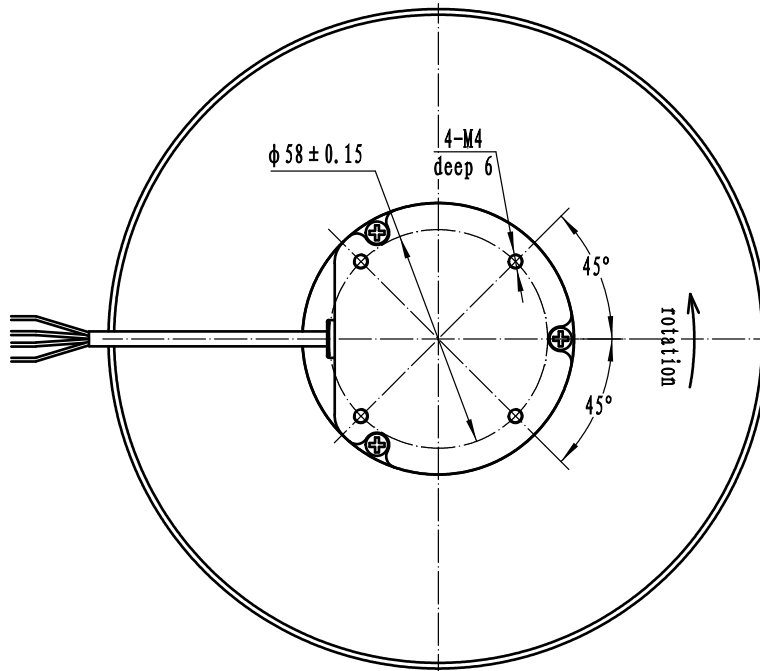
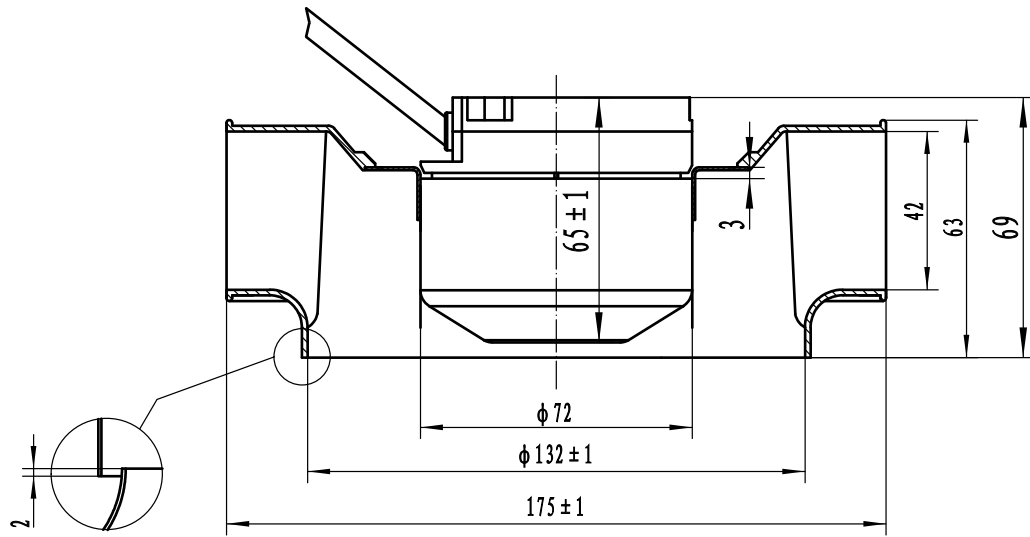
项目 ITEM	U	N	P
单位 UNIT	[V]	[r/min]	[W]
1	24	3104	36
2	24	2883	35
3	24	2790	34
4	24	2647	32
5	24	2650	32
6	24	3099	29

7. 控制方式及应用

NOTES ON VARIOUS CONTROL POSSIBILITIES AND THEIR APPLICATIONS



8. 外形图/DIMENSIONED DRAWING



9. 引线式样 LEAD WIRES ASS'Y

【引线式样】

【LEAD WIRES ASS'Y】

信号名 SIGNAL	颜色 COLOR	规格 SPEC
Vs	红 RED	DC48V
GND	黑 BLACK	GND
Vsp	黄 YELLOW	0-10VDC/PWM
FG	白 WHITE	4 Pulse/R

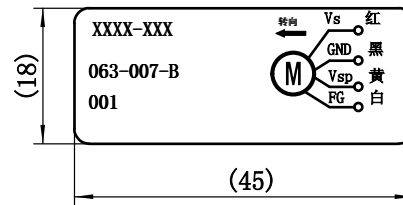
10. 铭牌 LABEL (选中请打勾 PLEASE TICK AT YOUR CHOISE)

中文 CHINESE

【铭牌一内容】

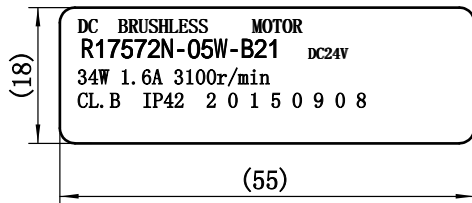


【铭牌二内容】



英文 ENGLISH

【LABEL ONE CONTENTS】



【LABEL TWO CONTENTS】

