



北京三鼎中天科技有限公司

Date(日期): 2015/12/17

Revised(版本): A0

产品规格/承认书

Product Specification/Approval Sheet

型号(Model NO.)		<b>R10028N-07L-B04G</b>	编号(Part NO.)	<b>X500</b>
安规(Safety Approvals)		<input type="checkbox"/> UL <input type="checkbox"/> CE <input type="checkbox"/> TUV <input checked="" type="checkbox"/> 无	安规编号(File NO.)	
1. 一般规格 (General Specification)				
1.1	额定电压(Rated Voltage)	DC48V		
1.2	工作电压范围(Operating Voltage Range)	DC20V~DC52.8V		
1.3	起动电压(Starting Voltage)	DC20V		
1.4	额定电流(Rated Current)	实测电流:0.30A±0.04A 标签电流:0.30A	A. 额定电压(Rated Voltage) B. 25°C C. 65%RH	
1.5	锁机电流(Lock Rotor Current)	0A		
1.6	额定功率(Rated Power Consumption)	14.4W±1.92W		
1.7	转速(Speed)	4600R. P. M. ±10%	A. 额定电压(Rated Voltage) B. 25°C, 65%RH C. 自由空气(Free Air)	
1.8	风量(Air Flow)	44.93CFM	A. 风压(Air Pressure)=0 B. 额定电压(Rated Voltage)	
1.9	风压(Static Pressure)	41.04mmH <sub>2</sub> O	C. 额定电流(Rated Current) D. 风量(Air Flow=0)	
1.10	噪音(Noise)	43.2dB (A)	A. 额定电压(Rated Voltage) B. 无响室测试(Measured in a Non-Echo Chamber) (18+1dba) C. 1M 间距(Distance 1M)	
1.11	寿命(Life Expentancy)	<input type="checkbox"/> 30000h <input type="checkbox"/> 40000h <input checked="" type="checkbox"/> 50000h	A. 额定电压(Rated Voltage) B. 30°C	
1.12	运转方向(Rotaing Direction)	<input type="checkbox"/> 逆时针(扇叶面方向) <input checked="" type="checkbox"/> 顺时针(扇叶面方向)		



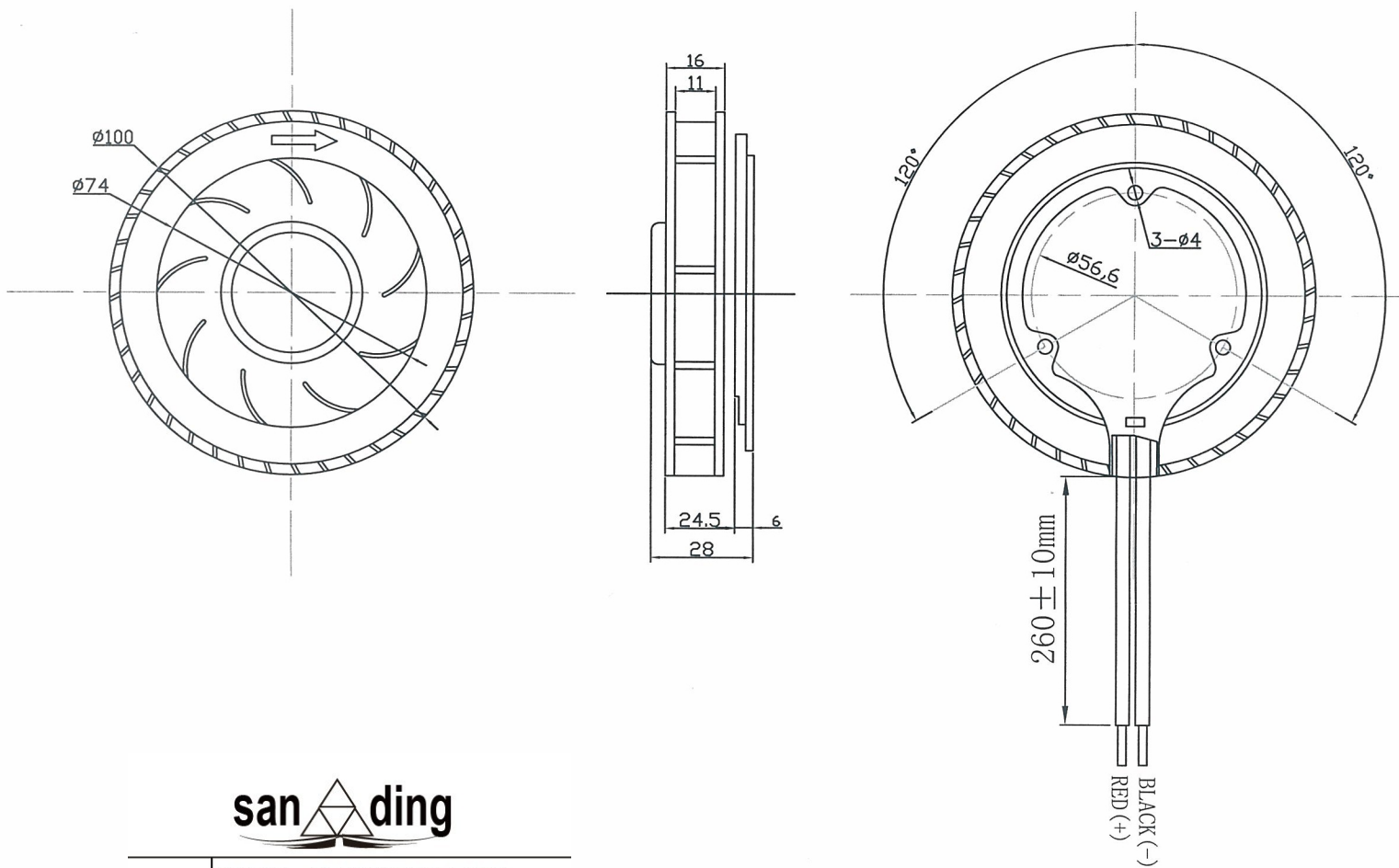
2. 主要材料/零件规格(Main Materials /Parts Specification) <input checked="" type="checkbox"/> RoHS (环保) <input type="checkbox"/> Not RoHS (非环保)		
2.1	塑胶材料/扇叶、外框、绝缘套 (Plastic Material/Blade、Housing、 Bobbin)	外框 (铝) 扇叶 (塑胶)
		<input checked="" type="checkbox"/> Black (黑色) <input type="checkbox"/> White (白色) <input type="checkbox"/> Transparent (透明)
2.2	轴承(Bearing)	滚珠轴承 (Two Ball Bearing)
2.3	导线(Lead wire)	Red(+), BBlack(-), :UL1007/24AWG
2.4	端子胶壳 CONN. Housing	无端

3. 电气规格(Electrical Specefication)		
3.1	绝缘阻抗 (Insulation Resistance)	10MΩ /导线与外框间测量, 500VDC/Min(10MΩ /b/w/unshieldedwire and frame at 500VDC/min)
3.2	绝缘耐压 Dielectric Strength)	5MA Max. /导线与外框间测量, 500VAC/Min(5MA Max. /Measured b/w lead wire(+)and frame at 500VAC/min)

4. 环境测试(Environmental Specification)		
4.1	工作温度范围 (Operating Temperature Range)	-10℃---70℃
4.2	贮存温度范围 (Storge Temperature Range)	-20℃---80℃
4.3	工作湿度范围 (Operating Humidity Range)	35%---80%

5. 其它功能 (Other Features)		
5.1	自动起动 (Autostart)	<input checked="" type="checkbox"/> Yes (是) <input type="checkbox"/> No (否)
5.2	锁机报警 (Lock Rotor Alarm)	<input type="checkbox"/> RD (高) <input type="checkbox"/> RD (低)
5.3	转速信号 (FG)	<input type="checkbox"/> Yes (是) <input checked="" type="checkbox"/> No (否)
5.4	温度控制 (Thermal Control)	<input type="checkbox"/> Yes (是) <input checked="" type="checkbox"/> No (否)
5.5	IP 等级 (IP Grade)	<input type="checkbox"/> Dampproof (防潮) <input type="checkbox"/> Waterproof (防水) <input type="checkbox"/> IP_04____
5.6	速度控制 (Speed Control)	<input type="checkbox"/> PWM 10KHz (0-10V) <input type="checkbox"/> 电位器调速
5.7	极性保护 (Polarity Protection)	<input checked="" type="checkbox"/> Yes (是) <input type="checkbox"/> No (否)
5.8	软启动 (Soft start)	<input type="checkbox"/> Yes (是) <input checked="" type="checkbox"/> No (否)

# 6. 外观尺寸图 (Outline Styling & Dimensions)



**san ding**

	<b>MODEL: R10028N-07L-B04G</b>
	<b>48V DC 0.30A 14.40W</b> <b>4600RPM</b>
	L112-0037-X500/20151221
	SANDING TECHNOLOGY.I NC

**MADE IN CHINA**

EDI	DATE (日期)	CHANGES (变更)
-----	-----------	--------------

北京三鼎中天科技有限公司	LINEAR	ANGULAR	PROJECTION:	UNIT	MM
	.X ±0.1	X. ±0.5		PAGE	1/1
型号 (Model NO.)	R10028N-07L-B04G	编号 (Part No.)	X500		
确认 (APPD)		审查 (CHECK)	绘制 (DRAWING)	黄小红	REV A0