

产品介绍 Product Description

- ◆ DC micro-fans with electronically commutated external rotor motor. Fully integrated commutation electronics.
电子换向外转子直流风机，完整的电子换向部件。
- ◆ To prevent the positive and negative reverse of electronic protectors and Locked-rotor impedance and overload of the emergency protection.
防止正负极反接的电子保护器及阻抗堵转和过载的紧急保护。
- ◆ Glass fiber reinforced plastic fan case and blades are used UL94V-0 plastic production.
玻璃纤维强化塑料风机，外壳及叶片均采用UL94V-0塑料制作。
- ◆ Air exhaust over struts, Rotational direction CCW looking at rotor.
风从支架处排出，面对转子逆时针运转。
- ◆ 2 AWG # 28 wires of UL access electricity, the end of the exposed tin.
2根AWG#28的UL导线接电，末端裸露镀锡。

DC axial fan 直流散热风扇
Size 60×60×10 mm



技术参数 Specifications

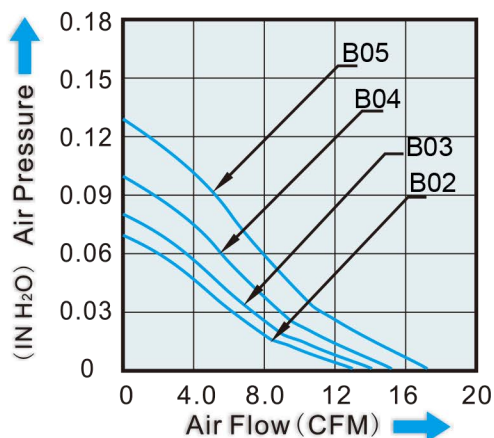


Model	Rated Voltage	Operating Voltage Range	Current Amp	Rated Input Power	Speed	Max Air Flow	Max Static Pressure	Noise Level	Weight
(型号)	(VDC)	(VDC)	(Amp)	(Watt)	(rpm)	(CFM)	(Inch-H ₂ O)	(dB-A)	(g)
	(额定电压)	(电压范围)	(额定电流)	(额定功率)	(转速)	(风量)	(风压)	(噪音)	(重量)
D2404N-01W-B05	5.00	3.6to6.8	0.29	1.45	3500	15.13	0.10	31	26.00
D2404N-01W-B04	5.00	3.6to6.8	0.25	1.25	3200	14.08	0.08	29	26.00
D2404N-01W-B03	5.00	3.6to6.8	0.20	1.00	3000	13.20	0.07	27	26.00
D2404N-04W-B05	12.00	6.0to13.5	0.19	2.28	4300	17.31	0.11	30.2	26.00
D2404N-04W-B04	12.00	6.0to13.5	0.14	1.68	3700	14.33	0.08	26.6	26.00
D2404N-04W-B03	12.00	6.0to13.5	0.11	1.32	3300	12.90	0.07	23.6	26.00
D2404N-05W-B05	24.00	18to26.5	0.12	2.88	4000	17.30	0.13	34	26.00
D2404N-05W-B04	24.00	18to26.5	0.08	1.92	3500	15.13	0.10	31	26.00
D2404N-05W-B03	24.00	18to26.5	0.06	1.44	3000	13.20	0.07	27	26.00

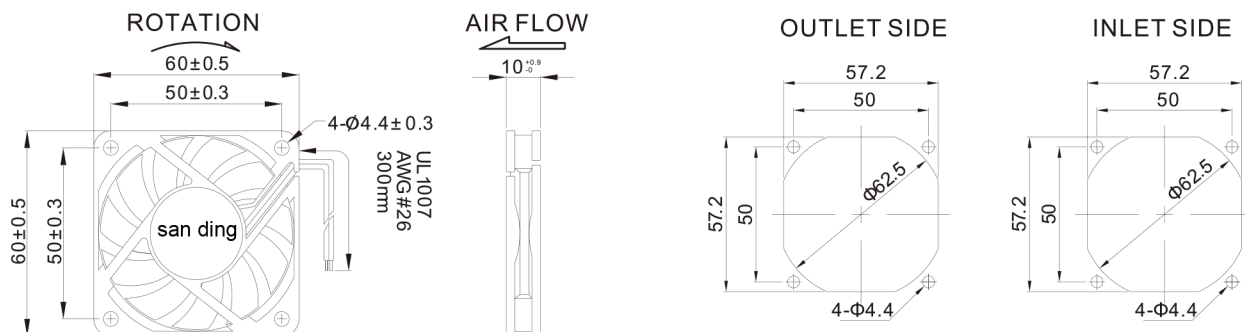
* The max. air flow and the speed are measured in free air; max. air pressure is measured at zero air flow

*以上数据是在最大气流量和速度测量，压力是零空气流测量。

曲线图特性 Fan Performance Curve



外形图 Dimensions (Unit:mm)



Expected Life and Allowable Ambient Temperature Range

- ◆ PWM signal can be customized speed control.
- ◆ Can be customized by controlling the voltage speed control.
- ◆ 60 °C when the expected life of 20,000 hours
- ◆ -10 °C ~ +70 °C (Operating)
- ◆ -40 °C ~ +70 °C (Storage)
- ◆ (non-condensing environment)
- 期望使用寿命及工作环境要求
- ◆ 可定制PWM信号进行速度控制。
- ◆ 可定制通过控制电压进行速度控制。
- ◆ 60 ° C时期望使用寿命20000小时
- ◆ -10 ° C... +70 ° C (运行温度)
- ◆ -40 ° C... +70 ° C (储藏温度)
- ◆ 所有数据都在额定电压的典型值。