

产品说明 Product Description

- ◆ Uses a new type impeller made of plastic or high-quality aluminum, after the blade.
叶轮采用新型塑料或优质铝合金制成，后向式叶片。
- ◆ External rotor squirrel-cage motors to obtain a high rotational torque.
外转子鼠笼式电机获得转动较高的力矩。
- ◆ Motor protection class: IP44
电机防护等级: IP44
- ◆ Impeller and external rotor motor constitute a whole, as the impeller wheel of the drive motor is air cooled efficiently.
叶轮与外转子电机构成整体，成为叶轮轮毂的驱动电机被气流高效地冷却。
- ◆ clockwise rotation direction.
旋转方向为顺时针。

AC centrifugal fan 交流离心风机
backward curved, Ø 330 mm 后倾式



技术参数 Specifications

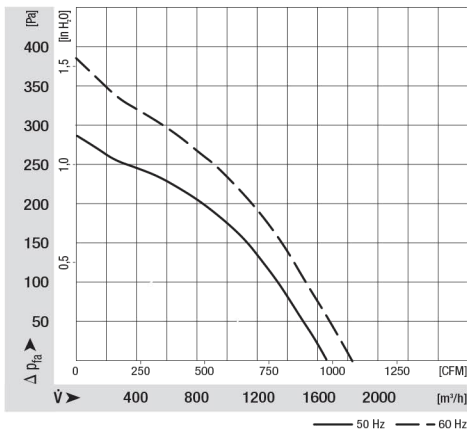


Model (型号)	Operating Voltage Range (VAC) (电压范围)	Freq (Hz) (频率)	Current Amp (Amp) (额定电流)	Rated Input Power (Watt) (额定功率)	Speed (rpm) (转速)	Max Air Flow (m³/h) (风量)	Capacitor (µF/VDB) (电容)	Noise Level (dB-A) (噪音)	Weight (Kg) (重量)
R31102E-23W-B41	230	50/60	0.55/0.75	123/162	1390/1580	1680/1771	4/450	64	4.2

* The max. air flow and the speed are measured in free air; max. air pressure is measured at zero air flow

* 以上数据是在最大气流量和速度测量，压力是零空气流测量。

特性曲线图 Characteristic curve



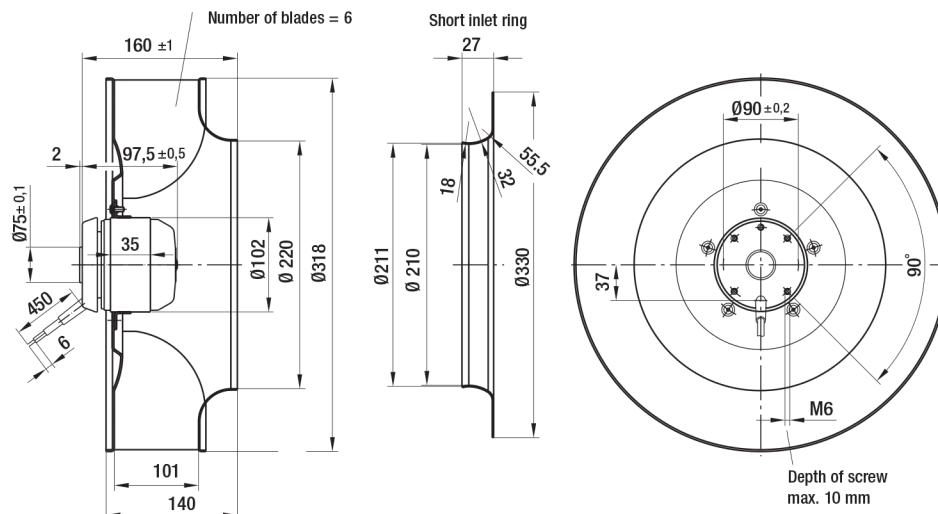
Technical Features

- ◆ thermal overload protector brought out
- ◆ The use of ambient temperature: -20° -- +55°
- ◆ Insulation class: F
- ◆ Bearing: maintenance-free ball bearings
- ◆ All readings are typical values at rated voltage.

技术特点:

- ◆ 电机内有过热保护
- ◆ 使用环境温度: -20° -- +55°
- ◆ 绝缘等级: F级
- ◆ 轴承: 免维护滚珠轴承
- ◆ 所有数据都在额定电压的典型值。

外形图 Dimensions (Unit: mm)



AC后倾式风机
Ø 133 ~ Ø 400

AC单进风式风机
Ø 108 ~ Ø 200

AC双进风式风机
Ø 133 ~ Ø 150

AC前倾式风机
Ø 108 ~ Ø 200

DC后倾式风机
Ø 133 ~ Ø 355

DC单进风式风机
Ø 108 ~ Ø 150