

## Alveolate Motor

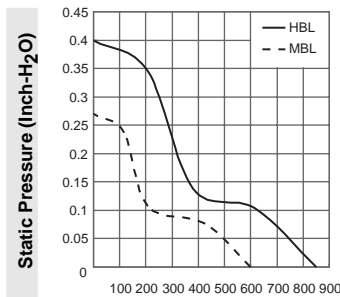
### 600-850 CFM



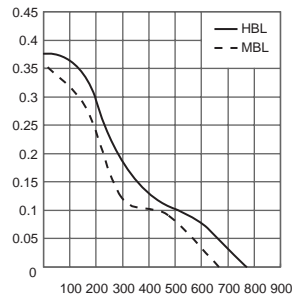
Model	P/N	Bearing	Rating Voltage (VAC)	Freq. (Hz)	Power Current (AMP)	Power Consumption (WATTS)	Speed (RPM)	Air Flow (CFM)	Static Pressure (Inch-H <sub>2</sub> O)	Noise (dBA)	Weight (g)
A1259-MBL	TC.GN	○ BALL	115	50/60	0.20/0.23	22/26	1400/1600	600/665	0.27/0.36	50/52	2000
A1259-MBT	TC.GN	○ BALL	115	50/60	0.20/0.23	22/26	1400/1600	600/665	0.27/0.36	50/52	2000
A2259-HBL	TC.GN	○ BALL	220-240	50/60	0.24/0.27	56/60	2100/1900	850/770	0.40/0.38	57/55	2000
A2259-HBT	TC.GN	○ BALL	220-240	50/60	0.24/0.27	56/60	2100/1900	850/770	0.40/0.38	57/55	2000
A2259-MBL	TC.GN	○ BALL	220-240	50/60	0.12/0.12	24/27	1400/1600	600/665	0.27/0.36	50/52	2000
A2259-MBT	TC.GN	○ BALL	220-240	50/60	0.12/0.12	24/27	1400/1600	600/665	0.27/0.36	50/52	2000

Frame : Aluminum alloy

Ball (50Hz)

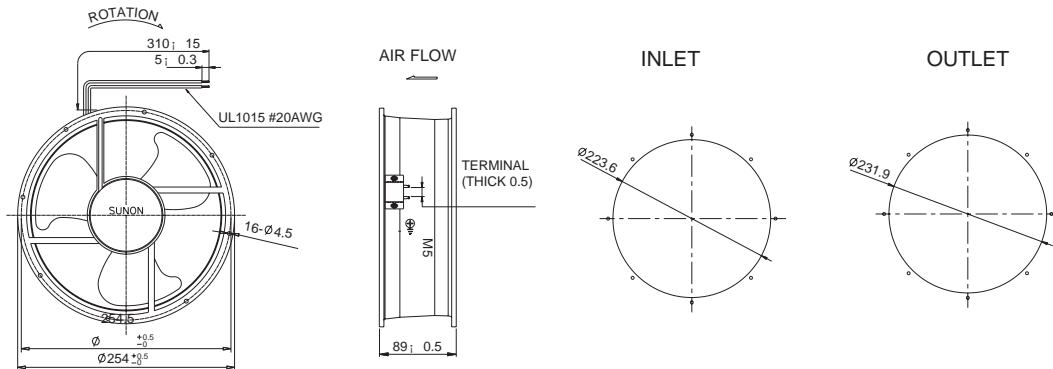


Ball (60Hz)



Airflow (CFM)

UNITS:mm



\*All model could be customized on voltage or any other requirements to fit your need.

\*Specifications subject to change without notice. Please Visit SUNON web site at <http://www.sunon.com> for update information.